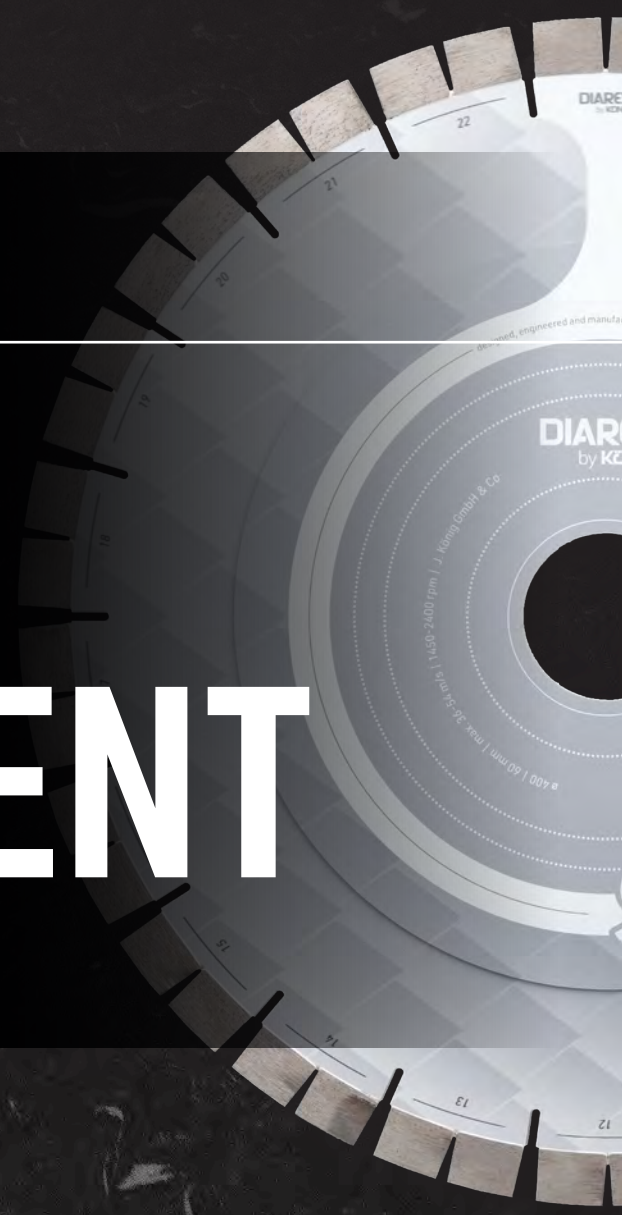




CATALOGUE 7.0

TOOLS + EQUIPMENT

MACHINERY | SOFTWARE | TOOLS+EQUIPMENT | SERVICE | FINANCE





A global leader in the stone working industry.



GranQuartz
Canada Inc.

KÖNIG

cdk
CDK STONE
cdkstone.com.au

GranQuartz

cdk
CDK STONE
cdkstone.co.nz

The Diarex Group is a strategic partnership between the leading suppliers of stone processing machinery, tools and equipment from around the globe. Consisting of companies from Australia, Germany, USA, Canada and New Zealand, the Diarex Group works closely together to develop the tools and equipment that will drive the stone working industry. With each company renowned in their respective industries, the Diarex Group aims to provide high quality products that redefine the stone industry globally.

CDK Stone is proud to be associated with the Diarex Group and to be supplying these high quality tools to the Australian market. Through this strategic partnership, CDK Stone is able to offer an exclusive range of premium stone tools and tile tooling. CDK Stone is the industry leader for high quality, reliable stone and tile tools in Australia and New Zealand.

CATALOGUE 7.0

TOOLS + EQUIPMENT

CONTENTS

SECTION 1 / ABRASIVES

| | |
|---------------------------------------|-----|
| Hand Use | .05 |
| Silicon Carbide Edge Processing | .06 |
| Surface Texturing | .08 |

SECTION 2 / DIAMOND TOOLS

| | |
|-------------------------------------|-----|
| Diamond Polishing | .12 |
| Polishing | .23 |
| Small Blades | .24 |
| Large Blades | .30 |
| Manual Hand Grinding/Drilling | .38 |
| Machine Grinding | .42 |
| Manual Milling/Routing | .44 |

SECTION 3 / CHEMICALS

| | |
|---|-----|
| Buffing Compounds | .46 |
| Adhesives | .50 |
| Surface Embellishment | .59 |
| Cleaning, Protection, Maintenance | .62 |
| Restoration | .74 |

SECTION 4 / ADI CNC

| | |
|--|------|
| Diamond Drills | .77 |
| Milling Fingers & Router Tips | .78 |
| Drainboard Tools | .80 |
| Drainboard Grooving | .84 |
| Traditional Pre-Cutting Tools | .85 |
| Ninja Blades | .86 |
| Zero Chipping Seam Solutions | .88 |
| About ADI CNC Tools | .89 |
| Slab Profiles | .90 |
| Topline Profile Tools | .94 |
| Fastline Profile Tools | .98 |
| Twistline Profile Tools | .105 |
| Micronline Profile Tools | .111 |
| Nanoline Profile Tools | .116 |
| UCSLine Profile Tools | .117 |
| Tool Holders, Adaptors & Consumables | .121 |
| Vacuum Cups | .123 |

CONTENTS (continued)

SECTION 5 / EQUIPMENT

| | |
|--------------------------|-----|
| Couplings & Arbors | 126 |
| Consumables | 131 |
| Handling Equipment | 136 |

SECTION 6 / PERSONAL PROTECTIVE EQUIPMENT

| | |
|---|-----|
| Powered Air Purifying Respirators | 156 |
| Reusable Respirators | 162 |
| Personal Safety Equipment | 164 |

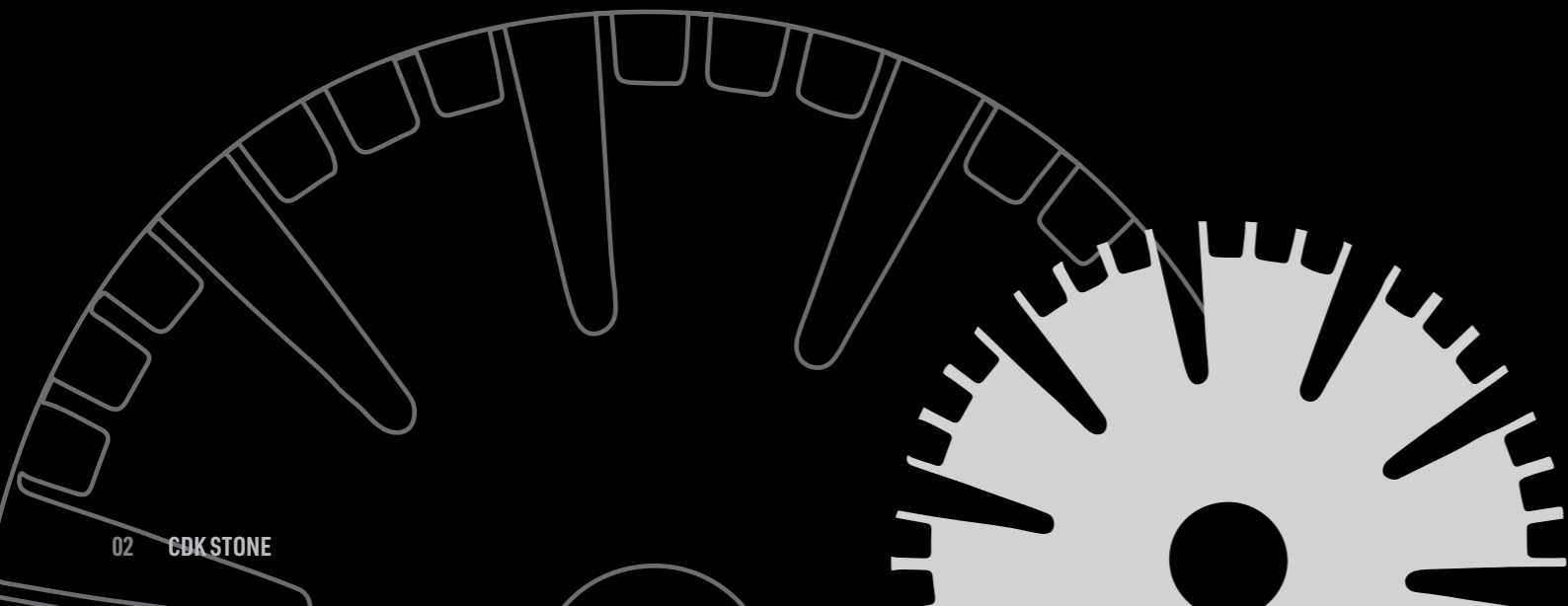
SECTION 7 / TOOLS

| | |
|--------------------------|-----|
| Tile Tools | 168 |
| Power Tools | 170 |
| Pneumatic Tools | 172 |
| Portable Machinery | 174 |

ABRASIVES

SECTION 1

| | |
|---------------------------------------|----|
| HAND USE | 05 |
| SILICON CARBIDE EDGE PROCESSING | 06 |
| SURFACE TEXTURING | 08 |



DISCOVER THE COMPLETE SOLUTION WITH CDK STONE

TRIED, TESTED AND TRUSTED

The one partner you need for stone with exclusive and innovative suppliers from around the world. Expand your capabilities and reach your business potential with CDK Stone.



Discover more at
cdkstone.com.au

HAND USE

SAIT SANDING DISC 125MM

Silicon carbide sanding discs for use on Marble & Granite.

PIECES PER BOX 50

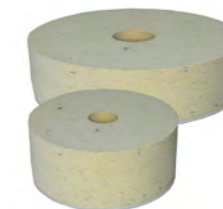
| GRIT | CODE |
|------|-----------|
| 60 | SD125V060 |
| 120 | SD125V120 |
| 220 | SD125V220 |
| 320 | SD125V320 |
| 400 | SD125V400 |
| 600 | SD125V600 |
| 800 | SD125V800 |



SEBALD WHITE FELT PAD

100 x 40mm & 130 x 40mm Compressed Merino felt for polishing Marble and Granite. Ideal for use with Reulin polishing powders. Features a Snail Back fitting.

| SIZE | CODE |
|-------|----------|
| 100mm | G10.FELT |
| 130mm | G13.FELT |



SEBALD BROWN FELT PAD

100 x 40mm & 130 x 40mm Coarse grade compressed felt for polishing Granite. Ideal for use with Reulin polishing powders. Features a Snail Back fitting.

| SIZE | CODE |
|-------|------------|
| 100mm | G10.FELTBR |
| 130mm | G13.FELTBR |



SICAREX TORNADO WHITE FELT

100 x 35mm Compressed Merino felt for polishing Marble and Granite. Ideal for use with Reulin polishing powders.

| SIZE | CODE |
|----------|---------|
| 100x35mm | TFELT35 |



SICAREX TORNADO POLISH

Use with waterfed angle polishers on Granite, Marble, and Engineered Stone surfaces for ultra flat finish. Sicarex-Tornado Grinding/Polishing Stones are fitted with a metal attachment plate for compatibility with Tornado Magnetic Coupling.

PIECES PER BOX 12

| GRADE | CODE |
|---------|--------|
| 36 | TSIC.1 |
| 120 | TSIC.2 |
| 280 | TSIC.3 |
| 400 | TSIC.4 |
| 600/800 | TSIC.5 |
| Polish | TPH |



SILICON CARBIDE EDGE PROCESSING

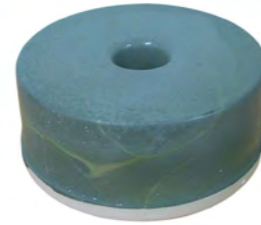


ABRESSA SNAIL BACK 100MM SMALL HOLE

High quality abrasive for wet grinding and polishing radius profiles or bevels on single head or inline polishing machines. Suitable for all materials. Glossex suitable for Granite polishing only.

PIECES PER BOX 40

| GRADE | CODE |
|---------|-------------|
| 60 | AA100PSH01G |
| 120 | AA100PSH02M |
| 220 | AA100PSH03M |
| 400 | AA100PSH04M |
| 600 | AA100PSH06M |
| 800 | AA100PSH08M |
| 1000 | AA100PSH10P |
| 1200 | AA100PSH12P |
| Glossex | AA100PSHGXM |



ABRESSA SNAIL BACK 130MM TRI SEGMENT

High quality abrasive for wet grinding and polishing flat edges on single head or inline polishing machines. Suitable for all materials. Glossex suitable for Granite polishing only.

PIECES PER BOX 24

| GRADE | CODE |
|---------|------------|
| 60 | AA1303P01M |
| 120 | AA1303P02M |
| 220 | AA1303P03M |
| 400 | AA1303P04M |
| 800 | AA1303P08P |
| Glossex | AA1303P12P |



ABRESSA SNAIL BACK 130MM SMALL HOLE

High quality abrasive for wet grinding and polishing radius profiles or bevels on single head or inline polishing machines. Suitable for all materials. Glossex suitable for Granite polishing only.

PIECES PER BOX 24

| GRADE | CODE |
|------------|-------------|
| 60 (Hard) | AA130PSH01G |
| 120 (Hard) | AA130PSH02G |
| 120 | AA130PSH02M |
| 220 | AA130PSH03M |
| 400 | AA130PSH04M |
| 600 | AA130PSH06M |
| 800 | AA130PSH08M |
| 1000 | AA130PSH10M |
| 1200 | AA130PSH12M |
| 1200 | AA130PSH12P |
| Glossex | AA130PSHGXM |



ABRESSA SNAIL BACK 130MM LARGE HOLE

High quality abrasive for wet grinding, polishing bevels and pencil round profiles on single head or inline polishing machines. Suitable for all materials.

PIECES PER BOX 24

| GRADE | CODE |
|-------|------------|
| 600 | AA130SH06M |



ABRESSA 100MM TERZAGO

High quality abrasive for wet grinding and polishing on satellite planetary head polishing machines. Suitable for all materials.

PIECES PER BOX 36

| GRADE | CODE |
|-------|-----------|
| 60 | AA100T01G |
| 120 | AA100T02G |
| 220 | AA100T03M |
| 400 | AA100T04M |
| 800 | AA100T08M |



ABRESSA 125MM BLOC

High quality abrasive for wet grinding and polishing on satellite planetary head polishing machines. Suitable for all materials.

PIECES PER BOX 36

| GRADE | CODE |
|-------|-----------|
| 120 | AA125B02G |
| 400 | AA125B04M |



ABRESSA C140

High quality abrasive for aggressive wet slab grinding and polishing with oscillating (rocking) grinding head. Suitable for Granite and Engineered Stone. Glossex suitable for Granite polishing only.

PIECES PER BOX 24

| GRADE | CODE |
|--------|-----------|
| 60 | AAC14001G |
| 120 | AAC14002G |
| 220 | AAC14003M |
| 400 | AAC14004M |
| 600 | AAC14006M |
| 800 | AAC14008M |
| 1200 | AAC14012M |
| Synter | AAC140GXM |



ABRESSA FRANKFURT

High quality abrasive for gentle wet surface polishing with Frankfurt plate. Suitable for Marble and soft materials.

PIECES PER BOX 36

| GRADE | CODE |
|--------|----------|
| 60 | AAFR01M |
| 120 | AAFR02M |
| 220 | AAFR03M |
| 400 | AAFR04M |
| 500 | AAFR05M |
| 600 | AAFR06M |
| Synter | AAFRSYNG |



SURFACE TEXTURING

ABRASIVOS ALICANTE AGING BRUSH 120MM SNAIL BACK

Silicon Carbide impregnated nylon brushes used for creating texture in most materials. Diamond impregnated nylon brushes used for creating texture in hard materials.

| GRADE | CODE |
|-------------|------------|
| 46 | AB.5S.046 |
| 60 | AB.5S.060 |
| 60 Diamond | AB.5S.060D |
| 80 | AB.5S.080 |
| 120 | AB.5S.120 |
| 120 Diamond | AB.5S.120D |
| 180 | AB.5S.180 |
| 240 | AB.5S.240 |
| 320 | AB.5S.320 |
| 500 | AB.5S.500 |



ABRASIVOS ALICANTE AGING BRUSH FRANKFURT

Silicon Carbide impregnated nylon brushes used for creating texture in a range of materials.

| GRADE | CODE |
|-------|-----------|
| 36 | AB.FR.036 |
| 46 | AB.FR.046 |
| 60 | AB.FR.060 |
| 80 | AB.FR.080 |
| 120 | AB.FR.120 |
| 240 | AB.FR.240 |
| 320 | AB.FR.320 |
| 500 | AB.FR.500 |



ABRASIVOS ALICANTE 140MM SECTOR

Diamond impregnated nylon brushes used for creating texture in hard materials with oscillating (rocking) grinding heads.

| GRADE | CODE |
|-------------|-------------|
| 60 Diamond | AB.140.060D |
| 120 Diamond | AB.140.120D |



IFLEX 130MM SNAIL BACK DIAMOND

Flexible diamond abrasive designed to create new textures such as "Leather", "Caress", "Silk", "Antic", "Satin", "Lapped" and "Honed" effects as well as polished finish and high gloss.

| GRADE | CODE |
|-------|------------|
| 16 | IF.5S.0016 |
| 36 | IF.5S.0036 |
| 46 | IF.5S.0046 |
| 60 | IF.5S.0060 |
| 120 | IF.5S.0120 |
| 220 | IF.5S.0220 |



DIA FLASH DIAMOND BRUSH WITH M14 AND VELCRO

For wet use on Granite and Engineered Stone to create surface textures as part of the Diamaster Surface System.

| GRADE | CODE |
|-------|--------------|
| 36 | DFB.4V.D036A |
| 60 | DFB.4V.D060A |
| 120 | DFB.4V.D120A |



FABRON SPONGE ABRASIVE VELCO BACKED 100MM

For wet use on all material types to create honed finish as part of Diamaster Surface System. Used to increase gloss without significantly changing texture.

| GRADE | CODE |
|-------|------------|
| 120 | DF.4V.C120 |
| 220 | DF.4V.C220 |
| 240 | DF.4V.A240 |



PUMICE HONING SECTOR 140MM

Removes machining marks/swirls from honed surfaces. Pumice-Hones can be used after a conventional machining process of the same grade. Must be used with a sufficient amount of water and light pressure.

| GRADE | CODE |
|-------|------------|
| 320 | PH.140.320 |



PUMICE HONING WHEEL 120MM

Removes machining marks/swirls from honed surfaces. Pumice-Hones can be used after a conventional machining process of the same grade. Must be used with a sufficient amount of water and light pressure.

| GRADE | CODE |
|-------|------------|
| 180 | PHS.5S.180 |
| 320 | PHS.5S.320 |
| 600 | PHS.5S.600 |

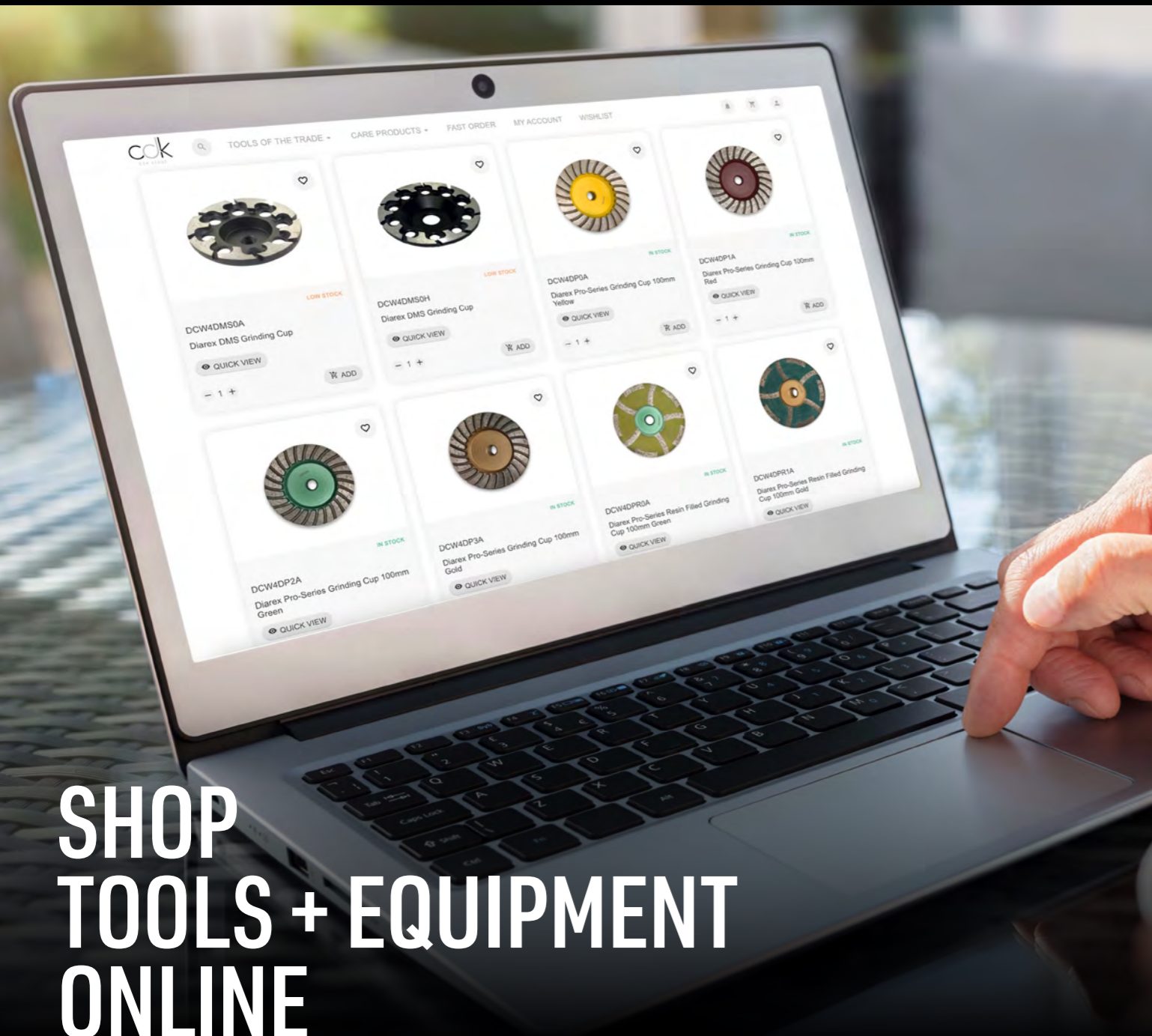


PUMICE HONING FRANKFURT

Removes machining marks/swirls from honed surfaces. Pumice-Hones can be used after a conventional machining process of the same grade. Must be used with a sufficient amount of water and light pressure.

| GRADE | CODE |
|-------|------------|
| 180 | PHS.FR.180 |
| 320 | PHS.FR.320 |
| 600 | PHS.FR.600 |





SHOP TOOLS + EQUIPMENT ONLINE

The CDK Stone Online Store will support your business with greater access to our product range.

CDK Stone sources the highest quality equipment to make your job efficient and effective. You can now shop our comprehensive range of high-quality, value-for-money tools & products easily online via our customer only online portal.

Technical knowledge, guidance and support will still be provided by your dedicated CDK Stone Sales Representative to help you optimise your productivity and profitability.



Discover more at
cdkstone.com.au

DIAMOND TOOLS

SECTION 2

| | |
|------------------------------------|----|
| DIAMOND POLISHING | 12 |
| POLISHING | 23 |
| SMALL BLADES | 24 |
| LARGE BLADES | 30 |
| MANUAL HAND GRINDING / DRILLING .. | 38 |
| MACHINE GRINDING | 42 |
| MANUAL MILLING / ROUTING | 44 |

DIAMOND POLISHING

CDK STONE RANGE OF DIAMOND POLISHING PADS

| | GRANITE | MARBLE | QUARTZITE | ENGINEERED | NEW GENERATION ENGINEERED | PORCELAIN | CERAMIC | CONCRETE | GLASS | STONEWARE |
|-----------------------|---------|--------|-----------|------------|---------------------------------|-----------|---------|----------|-------|-----------|
| Elite | ••• | ••• | •• | ••• | ••• | ••• | ••• | ••• | • | ••• |
| Diaflex | • | ••• | • | • | • | ••• | ••• | • | ••• | ••• |
| Ninja Flap Disks | ••• | ••• | •• | ••• | ••• | ••• | ••• | ••• | ••• | ••• |
| Hex Concrete | • | •• | • | • | • | • | •• | ••• | • | • |
| Ice | •• | •• | •• | ••• | ••• | ••• | ••• | •• | • | •• |
| Ice 3 | •• | •• | •• | ••• | ••• | ••• | ••• | •• | • | •• |
| BK Pad | ••• | •• | • | •• | •• | •• | •• | •• | - | •• |
| Diamaster Flexible | ••• | ••• | • | •• | •• | ••• | ••• | ••• | - | ••• |
| Diamaster Copper | ••• | ••• | •• | ••• | ••• | •• | ••• | ••• | - | •• |
| Octron | ••• | ••• | •• | ••• | •• | ••• | ••• | - | ••• | •• |
| Diamaster Pro | ••• | •• | •• | •• | •• | ••• | •• | •• | • | • |
| Speed Sponge | - | - | ••• | - | - | - | - | - | - | - |
| White | •• | •• | • | ••• | ••• | ••• | ••• | ••• | - | ••• |
| Xpress | •• | •• | • | ••• | ••• | ••• | ••• | ••• | - | ••• |

Blade material usage key:

- Not Recommended • Suitable •• Works Well ••• Works Very Well

Please note all recommendations are a guide only. Performance will vary depending on material. Always perform a test if unsure.

ALPHA[®]

PREMIUM QUALITY PNEUMATIC POLISHERS

ALPHA AIR 834 PNEUMATIC POLISHER

THE ALPHA AIR 834 IS A PROFESSIONAL-GRADE PNEUMATIC POLISHER ENGINEERED WITH PRECISION & PERFORMANCE IN MIND.

EQUIPPED WITH ADVANCED TECHNOLOGY, THE ALPHA AIR 834 DELIVERS REMARKABLE POWER AND SPEED, ENSURING EFFICIENT AND EFFECTIVE POLISHING ON VARIOUS SURFACES. IT'S ERGONOMIC DESIGN PROVIDES A COMFORTABLE GRIP, ALLOWING YOU TO MANEUVER EFFORTLESSLY AND MAINTAIN CONTROL.

THE ALPHA AIR 834 FEATURES A SLOWER 4000RPM WHICH PROVIDES MORE TORQUE ALLOWING FOR PRECISE, QUALITY RESULTS.



| MAX DISC DIAMETER | SPINDLE SPEED | SPINDLE THREAD | AIR PRESSURE | CODE |
|----------------------|------------------|-------------------|-----------------|---------|
| 130mm | 4000rpm | M14 | 85psi | AIR-834 |

ALPHA AIR 854 PNEUMATIC POLISHER

THE ALPHA AIR 854 IS A PROFESSIONAL-GRADE PNEUMATIC POLISHER ENGINEERED WITH SPEED & RELIABILITY IN MIND.

EQUIPPED WITH ADVANCED TECHNOLOGY, THE ALPHA AIR 854 DELIVERS REMARKABLE EFFICIENCY AND POWER, ENSURING FAST, QUALITY POLISHING ON VARIOUS SURFACES. IT'S ERGONOMIC DESIGN PROVIDES A COMFORTABLE GRIP, ALLOWING YOU TO MANOEUVRE EFFORTLESSLY AND MAINTAIN CONTROL.

THE ALPHA AIR 854 FEATURES A HIGHER 5500RPM WHICH PROVIDES LOWER TORQUE ALLOWING FOR INCREASED PRODUCTIVITY.



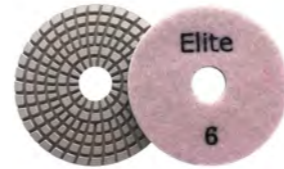
| MAX DISC DIAMETER | SPINDLE SPEED | SPINDLE THREAD | AIR PRESSURE | CODE |
|----------------------|------------------|-------------------|-----------------|---------|
| 130mm | 5500rpm | M14 | 85psi | AIR-854 |

DIAMOND POLISHING

DIAREX ELITE POLISHING DISC 75MM

Achieve top-quality polishing on Marble, Granite, and Engineered Stone with Elite's 6 step diamond polishing pads. Made with high quality diamonds and non-marking resin, use with integrated water or effective on tool extraction system for best results.

| POSITION | COLOUR | CODE |
|----------|--------|---------|
| 1 | Red | DE.3V.1 |
| 2 | Yellow | DE.3V.2 |
| 3 | Blue | DE.3V.3 |
| 4 | Green | DE.3V.4 |
| 5 | Orange | DE.3V.5 |
| 6 | Pink | DE.3V.6 |



DIAREX ELITE POLISHING DISC 100MM

Achieve top-quality polishing on Marble, Granite, and Engineered Stone with Elite's 6 step diamond polishing pads. Made with high quality diamonds and non-marking resin, use with integrated water or effective on tool extraction system for best results.

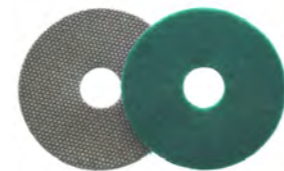
| POSITION | COLOUR | CODE |
|----------|--------|---------|
| 1 | Red | DE.4V.1 |
| 2 | Yellow | DE.4V.2 |
| 3 | Blue | DE.4V.3 |
| 4 | Green | DE.4V.4 |
| 5 | Orange | DE.4V.5 |
| 6 | Pink | DE.4V.6 |



DIAREX DIAFLEX POLISHING DISC 100MM

Achieve a high gloss finish on Marble, Granite, Engineered Stone, Glass, Ceramics and Porcelain with Diaflex wet-use polishing disks. Made with electroplated diamond grit for durability and consistency.

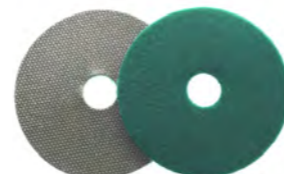
| GRADE | COLOUR | CODE |
|------------|--------|--------------|
| 60 Metal | Green | DFD100VM0060 |
| 120 Metal | Black | DFD100VM0120 |
| 200 Metal | Red | DFD100VM0200 |
| 400 Metal | Yellow | DFD100VM0400 |
| 800 Metal | Silver | DFD100VM0800 |
| 1800 Metal | Blue | DFD100VM1800 |
| 800 Resin | White | DFD100VR0800 |
| 1800 Resin | Blue | DFD100VR1800 |
| 3000 Resin | Orange | DFD100VR3000 |



DIAREX DIAFLEX POLISHING DISC 125MM

Achieve a high gloss finish on Marble, Granite, Engineered Stone, Glass, Ceramics and Porcelain with Diaflex wet-use polishing disks. Made with electroplated diamond grit for durability and consistency.

| POSITION | COLOUR | CODE |
|------------|--------|--------------|
| 60 Metal | Green | DFD125VM0060 |
| 120 Metal | Black | DFD125VM0120 |
| 200 Metal | Red | DFD125VM0200 |
| 400 Metal | Yellow | DFD125VM0400 |
| 800 Metal | Silver | DFD125VM0800 |
| 1800 Metal | Blue | DFD125VM1800 |
| 800 Resin | White | DFD125VR0800 |
| 1800 Resin | Blue | DFD125VR1800 |
| 3000 Resin | Orange | DFD125VR3000 |



DIAREX®

DIAREX HEX CONCRETE PAD 100MM

Achieve a high gloss finish on concrete with white resin diamond polishing pads. Made with high quality diamonds and a non-marking resin, these pads are designed use with integrated water or effective on tool extraction system for best results.

PIECES PER BOX 10

| GRADE | COLOUR | CODE |
|-------|-------------|------------|
| 30 | Dark Green | DH.4V.0030 |
| 50 | Light Green | DH.4V.0050 |
| 100 | Red | DH.4V.0100 |
| 200 | Yellow | DH.4V.0200 |
| 400 | Blue | DH.4V.0400 |
| 800 | Olive Green | DH.4V.0800 |
| 1500 | Orange | DH.4V.1500 |
| 3000 | Pink | DH.4V.3000 |
| 5000 | Black | DH.4V.5000 |



DIAREX ICE POLISHING DISC 100MM

Excellent value for money, Diarex Ice white resin diamond polishing tools. Suitable for polishing Marble, Granite, Engineered Stone, Glass, Ceramics and Porcelain, these high quality tools are designed for use with water to achieve a high gloss finish.

PIECES PER BOX 10

| GRADE | COLOUR | CODE |
|-------|--------|------------|
| 50 | Brown | DI.4V.0050 |
| 100 | Red | DI.4V.0100 |
| 200 | Orange | DI.4V.0200 |
| 400 | Yellow | DI.4V.0400 |
| 800 | Green | DI.4V.0800 |
| 1500 | Blue | DI.4V.1500 |
| 3000 | Purple | DI.4V.3000 |



DIAREX ICE 3 POLISHING DISC 100MM

Achieve a high gloss finish on Marble, Granite, Engineered Stone, Glass, Ceramics and Porcelain with Diarex Ice 3 step white resin diamond polishing tools. Designed for easy use with water, these tools offer excellent value for money and are perfect for achieving a professional-grade finish. The 3 step process includes coarse, medium, and fine grit pads to achieve a flawless, polished surface.

| POSITION | COLOUR | CODE |
|----------|--------|----------|
| 1 | Brown | DI3.4V.1 |
| 2 | Yellow | DI3.4V.2 |
| 3 | Purple | DI3.4V.3 |



DIAREX XPRESS POLISHING DISC 100MM

3 Step Polishing for wet use on Marble, Granite and Engineered Stone.

PIECES PER BOX 10

| POSITION | COLOUR | CODE |
|----------|--------|---------|
| 1 | Red | DX.4V.1 |
| 2 | Blue | DX.4V.2 |
| 3 | Orange | DX.4V.3 |



DIAMOND POLISHING

DIAREX CONVEX POLISHING DISC 75MM

High quality resin polishing pads with a convex shape, making it easy to polish curved surfaces to a professional, high gloss finish. For wet use, these pads offer consistent & reliable performance for both professionals and DIY enthusiasts.

PIECES PER BOX 10

| GRIT | COLOUR | CODE |
|------|--------|-------------|
| 3000 | Red | DKC.3V.3000 |



DIAREX DIA FLASH BD 100MM

Premium quality polishing pad for wet use on all material types. Suitable for edge and surface polishing. Especially suitable for ultra hard materials such as Quartzite and Ceramics.

| GRIT | CODE |
|------|-------------|
| 30 | DBD.4V.0030 |
| 50 | DBD.4V.0050 |
| 100 | DBD.4V.0100 |
| 200 | DBD.4V.0200 |
| 400 | DBD.4V.0400 |
| 800 | DBD.4V.0800 |
| 1500 | DBD.4V.1500 |
| 3000 | DBD.4V.3000 |



DIAREX DIA FLASH BD 125MM

Premium quality polishing pad for wet use on all material types. Suitable for edge and surface polishing. Especially suitable for ultra hard materials such as Quartzite and Ceramics.

| GRIT | CODE |
|------|-------------|
| 500 | DBD.5V.0050 |
| 100 | DBD.5V.0100 |
| 200 | DBD.5V.0200 |
| 400 | DBD.5V.0400 |
| 800 | DBD.5V.0800 |
| 1500 | DBD.5V.1500 |
| 3000 | DBD.5V.3000 |



SANWA KENMA TWINCUR EG2 125MM

For wet use. Premium quality edge polishing wheel provides excellent finish on most material types. Suited to edge polishing machines that work on a wide variety of materials.

| GRIT | CODE |
|------|------------|
| 50 | TC.5S.0050 |
| 100 | TC.5S.0100 |
| 200 | TC.5S.0200 |
| 500 | TC.5S.0500 |
| 1000 | TC.5S.1000 |
| 2000 | TC.5S.2000 |
| 3000 | TC.5S.3000 |
| BUFF | TC.5S.BUFF |



ADI SHINING EDGE WHEEL

For polishing flat edges on Engineered Stone, Granite and Marble on edge processing machines. Long life and high performance. 130mm Snailback.

| GRIT | CODE |
|------|---------|
| 60 | PA43330 |
| 80 | PA43321 |
| 120 | PA43322 |
| 220 | PA43323 |
| 320 | PA43324 |
| 400 | PA43325 |
| 600 | PA43326 |
| 800 | PA43327 |



DIAREX DARK BK POLISHING DISC 100MM

High quality resin polishing pads for achieving a professional-grade, high gloss finish on natural stone surfaces. Designed for wet use, these durable pads deliver consistent and reliable performance for both professional contractors and DIY enthusiasts.

PIECES PER BOX 10

| GRADE | COLOUR | CODE |
|-------|------------|------------|
| 50 | Green | DK.4V.0050 |
| 100 | White | DK.4V.0100 |
| 200 | Yellow | DK.4V.0200 |
| 400 | Blue | DK.4V.0400 |
| 800 | Orange | DK.4V.0800 |
| 1500 | Dark Green | DK.4V.1500 |
| 3000 | Red | DK.4V.3000 |
| BUFF | Black | DK.4V.BUFF |



DIAREX WHITE POLISHING PAD 125MM

High quality polishing pad for wet use on Engineered Stone.

PIECES PER BOX 10

| GRADE | COLOUR | CODE |
|-------|-------------|------------|
| 50 | Light Green | DW.5V.0050 |
| 100 | White | DW.5V.0100 |
| 200 | Yellow | DW.5V.0200 |
| 400 | Blue | DW.5V.0400 |
| 800 | Orange | DW.5V.0800 |
| 1000 | White | DW.5V.1000 |
| 1500 | Green | DW.5V.1500 |
| 3000 | Red | DW.5V.3000 |
| BUFF | Black | DW.5V.BUFF |



DIAREX SET OF 3 XPRESS PADS

3 Step Polishing for wet use on Marble, Granite and Engineered Stone.

| POSITION | CODE |
|-------------|-----------|
| 1, 2, and 3 | DX.4V.SET |



DIAREX DIAMASTER COPPER BOND 100MM

These flexible diamond grinding pad with metal bond deliver an extremely aggressive grinding behavior on natural and engineered stone, making it easy to achieve a professional-grade finish. Ideal for concave and convex surfaces, these pads offer a very long service life, making them a reliable choice for professionals.

PIECES PER BOX 10

| GRADE | COLOUR | CODE |
|-------|--------|------------|
| 30 | White | DM.4V.M030 |
| 50 | White | DM.4V.M050 |
| 70 | White | DM.4V.M070 |
| 120 | White | DM.4V.M120 |
| 200 | White | DM.4V.M200 |
| 400 | White | DM.4V.M400 |



DIAREX DIAMASTER FLEXIBLE POLISHING DISC 100MM

Premium quality and specialist performance on Granites.

PIECES PER BOX 10

| GRADE | COLOUR | CODE |
|-------|-------------|------------|
| 400 | White | DM.4V.0040 |
| 100 | Yellow | DM.4V.0100 |
| 200 | Orange | DM.4V.0200 |
| 400 | Red | DM.4V.0400 |
| 800 | Dark Green | DM.4V.0800 |
| 1500 | Light Green | DM.4V.1500 |
| 3000 | Brown | DM.4V.3000 |
| BUFF | Black | DM.4V.BUFF |



DIAMOND POLISHING

DIAREX DIAMASTER FLEXIBLE POLISHING DISC 125MM

Premium quality and specialist performance on Granites.

PIECES PER BOX 10

| GRADE | COLOUR | CODE |
|-------|-------------|------------|
| 40 | White | DM.5V.0040 |
| 100 | Yellow | DM.5V.0100 |
| 200 | Orange | DM.5V.0200 |
| 400 | Red | DM.5V.0400 |
| 800 | Dark Green | DM.5V.0800 |
| 1500 | Light Green | DM.5V.1500 |
| 3000 | Brown | DM.5V.3000 |

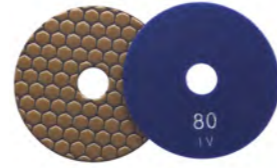


DIAREX OCTRON POLISHING DISC 100MM

For wet use on Granite, Marble and Engineered stone. Especially suited to repolishing or re-honing procedures. Medium flexibility for intricate shapes.

PIECES PER BOX 10

| GRADE | COLOUR | CODE |
|-------|------------|------------|
| 80 | Dark Blue | DO.4V.0080 |
| 200 | Orange | DO.4V.0200 |
| 400 | Red | DO.4V.0400 |
| 800 | Green | DO.4V.0800 |
| 1500 | Light Blue | DO.4V.1500 |
| 3000 | Brown | DO.4V.3000 |
| 6000 | Black | DO.4V.6000 |

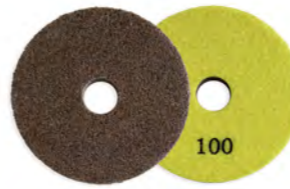


DIAREX SPEED SPONGE 100MM

Designed for polishing or honing Quartzite and other hard materials with water, this compressed fiber material allows for easy work and outstanding results on even the hardest surfaces.

PIECES PER BOX 10

| GRADE | COLOUR | CODE |
|-------|-------------|-------------|
| 100 | Yellow | DSS.4V.0100 |
| 200 | Orange | DSS.4V.0200 |
| 400 | Red | DSS.4V.0400 |
| 800 | Green | DSS.4V.0800 |
| 1500 | Blue | DSS.4V.1500 |
| 3000 | Light Green | DSS.4V.3000 |



DIAREX WHITE POLISHING PAD 75MM

Diarex White polishing pads are made with the highest quality materials for achieving a fast and high quality finish on Engineered Stone surfaces. With a non-marking resin and designed for wet use only, these polishing pads are perfect for achieving outstanding results.

PIECES PER BOX 10

| GRADE | COLOUR | CODE |
|-------|------------|------------|
| 100 | White | DW.3V.0100 |
| 200 | Yellow | DW.3V.0200 |
| 400 | Light Blue | DW.3V.0400 |
| 800 | Orange | DW.3V.0800 |
| 1500 | Green | DW.3V.1500 |
| 3000 | Red | DW.3V.3000 |



DIAREX WHITE POLISHING PAD 100MM

Diarex White polishing pads are made with the highest quality materials for achieving a fast and high quality finish on Engineered Stone surfaces. With a non-marking resin designed for wet use only, these polishing pads are perfect for achieving outstanding results.

PIECES PER BOX 10

| GRADE | COLOUR | CODE |
|-------|------------|------------|
| 50 | Green | DW.4V.0050 |
| 100 | White | DW.4V.0100 |
| 200 | Yellow | DW.4V.0200 |
| 400 | Blue | DW.4V.0400 |
| 800 | Orange | DW.4V.0800 |
| 1500 | Dark Green | DW.4V.1500 |
| 3000 | Red | DW.4V.3000 |



DIAREX®

DIAREX DIAMASTER PRO POLISHING DISC 100MM

Premium quality polishing pad with specialist performance on Granites and Porcelain.

| GRADE | COLOUR | CODE |
|-------|------------|------------|
| 50 | Dark Green | DP.4V.0050 |
| 100 | Black | DP.4V.0050 |
| 200 | Red | DP.4V.0050 |
| 400 | Yellow | DP.4V.0050 |
| 800 | Grey | DP.4V.0050 |
| 1500 | Blue | DP.4V.0050 |
| 3000 | Orange | DP.4V.0050 |
| BUFF | Black | DP.4V.BUFF |



DIAREX DIAFLEX HAND PAD 90x55MM

For wet hand use on Granite, Marble, Engineered Stone, Glass, Ceramics and Porcelain.

| GRADE | COLOUR | CODE |
|------------|--------|-------------|
| 60 Metal | Green | DFHP90M0060 |
| 120 Metal | Black | DFHP90M0120 |
| 200 Metal | Red | DFHP90M0200 |
| 400 Metal | Yellow | DFHP90M0400 |
| 800 Metal | Silver | DFHP90M0800 |
| 1800 Metal | Blue | DFHP90M1800 |
| 800 Resin | White | DFHP90R0800 |
| 1800 Resin | Blue | DFHP90R1800 |
| 3000 Resin | Orange | DFHP90R3000 |



DIAREX DIAFLEX POLISHING SHEET SELF ADHESIVE

For wet use on Granite, Marble, Engineered Stone, Glass, Ceramics and Porcelain.

| GRADE | COLOUR | CODE |
|------------|--------|------------|
| 60 Metal | Green | DFS75/75.0 |
| 120 Metal | Black | DFS75/75.1 |
| 200 Metal | Red | DFS75/75.2 |
| 400 Metal | Yellow | DFS75/75.3 |
| 800 Resin | Silver | DFS75/75.4 |
| 1800 Resin | Blue | DFS75/75.5 |
| 3000 Resin | Orange | DFS75/75.6 |



DIAREX DIAFLEX POLISHING BELT D75x38MM

For wet use on Granite, Marble and Engineered Stone. Maximum 5000rpm.

| GRADE | COLOUR | CODE |
|------------|--------|--------------|
| 60 Metal | Green | DFB075SM0060 |
| 120 Metal | Black | DFB075SM0120 |
| 200 Metal | Red | DFB075SM0200 |
| 400 Metal | Yellow | DFB075SM0400 |
| 800 Metal | Silver | DFB075SM0800 |
| 1800 Metal | Blue | DFB075SM1800 |
| 800 Resin | White | DFB075SR0800 |



DIAREX HYBRID POLISHING DRUM 20MM

Special tools for wet polishing small radius cut-outs on Engineered Stone, Marble and Granite.

| GRADE | CODE |
|---------|-------------|
| 200 | DWD020.0200 |
| 400 | DWD020.0400 |
| 800 | DWD020.0800 |
| 1500 | DWD020.1500 |
| 3000 | DWD020.3000 |
| ADAPTER | DWD020.ADA |

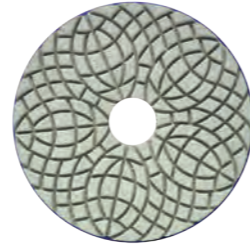


DIAMOND POLISHING

DIAREX SUPER HYBRID POLISHING DISC 100MM SNAILBACK

For polishing flat edges on Granite, Engineered Stone and Marble on edge processing machines.

| POS | CODE |
|-----|----------|
| 1 | DKH.4S.1 |
| 2 | DKH.4S.2 |
| 3 | DKH.4S.3 |
| 4 | DKH.4S.4 |
| 5 | DKH.4S.5 |
| 6 | DKH.4S.6 |



DIAREX SUPER WHITE CUSHIONED POLISHING DISC 130MM SNAILBACK

For polishing flat edges on Engineered Stone, Granite and Marble on edge processing machines. With rubber insert.

| GRADE | CODE |
|-------|--------------|
| 50 | DSW.5S.0050R |
| 100 | DSW.5S.0100R |
| 200 | DSW.5S.0200R |
| 400 | DSW.5S.0400R |
| 800 | DSW.5S.0800R |
| 1500 | DSW.5S.1500R |
| 3000 | DSW.5S.3000R |
| BUFF | DSW.5S.BUFFR |



DIAREX CHAMFER WHEEL

Diarex Chamfer Wheels are special rigid tools designed for achieving accurate chamfers on edge polishing machines. With snail lock fitting and a 125mm diameter, these wheels are easy to attach and use for precise and consistent results on natural stone surfaces.

| GRADE | CODE |
|-------|------------|
| 800 | DA.5S.0800 |
| 1200 | DA.5S.1200 |



ABRESSA DIAMLOX FRANKFURT

Resin-bonded Diamond Frankfurts for polishing Granite, Marble and Engineered Stone.

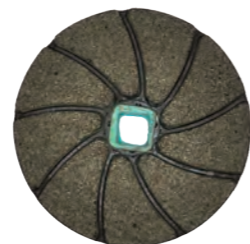
| GRADE | CODE |
|-------|-----------|
| 60 | AD.FF.01G |
| 120 | AD.FF.02Y |
| 220 | AD.FF.03Y |
| 400 | AD.FF.04Y |
| 600 | AD.FF.06Y |
| 800 | AD.FF.08Y |
| 1200 | AD.FF.12Y |



ABRESSA DIAMLOX POLISHING DISC 130MM

For polishing flat edges on Engineered Stone, Granite and Marble on edge processing machines.

| GRADE | CODE |
|-------|------------|
| 60 | AD.5SF.01Y |
| 120 | AD.5SF.02Y |
| 400 | AD.5SF.04Y |
| 600 | AD.5SF.06Y |
| 1200 | AD.5SF.12Y |



BK DIAMOND METAL BOND 250MM PLATE

The BK Diamond metal bond polishing plate for radial arm polishers. This plate is specifically designed for efficient and effective surface polishing on natural stone surfaces.

| GRADE | CODE |
|-------|------------|
| 50 | BK10MB0050 |
| 100 | BK10MB0100 |
| 200 | BK10MB0200 |
| 400 | BK10MB0400 |



BK DIAMOND RESIN BOND 250MM PLATE

The resin bond plate provides a smooth and consistent polishing action that is ideal for achieving a mirror-like shine on granite benchtops and other natural stone surfaces.

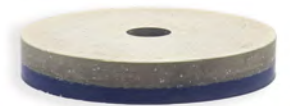
| GRADE | CODE |
|-------|-----------|
| 400 | BK10R0400 |
| 800 | BK10R0800 |
| 3000 | BK10R3000 |



BURGALASSI ABRASIVE 125MM SNAIL BACK

Burgalassi chamfer wheels are designed to handle even the most difficult chamfering jobs, providing reliable performance and exceptional results.

| GRADE | CODE |
|-------|------------|
| 1000 | BA.5S.1000 |



DIAMOND POLISHING

BLASTER POLISHING PAD 130MM

High performance diamond-coated floor pads available in 17" and 5" sizes. For cleaning and maintaining polished floors made of Marble, Granite, Concrete and Terrazzo. Use with integrated water or effective on tool extraction system.

| POS | CODE |
|-----|--------------|
| 1 | BLASTER130.1 |
| 2 | BLASTER130.2 |
| 3 | BLASTER130.3 |
| 4 | BLASTER130.4 |
| 5 | BLASTER130.5 |



BLASTER POLISHING PAD 430MM

High performance diamond-coated floor pads available in 17" and 5" sizes for cleaning and maintaining polished floors made of Marble, Granite, Concrete and Terrazzo. Use with integrated water or effective on tool extraction system.

| POS | CODE |
|-----|--------------|
| 1 | BLASTER430.1 |
| 2 | BLASTER430.2 |
| 3 | BLASTER430.3 |
| 4 | BLASTER430.4 |
| 5 | BLASTER430.5 |



FABDIA MACARON DIAMOND SPONGE 5" 128MM

Part of the Diamaster Surfacing System with snail backing for use on edge polishers. Sponge type polishing pad for wet use on all material types. Especially useful for adding gloss while preserving surface texture or removing swirl marks. Avoids burning and chipping.

| GRADE | CODE |
|-------|-------------|
| 400 | DFM.5S.0400 |
| 800 | DFM.5S.0800 |
| 1500 | DFM.5S.1500 |
| 3000 | DFM.5S.3000 |
| 5000 | DFM.5S.5000 |



POLISHING

DIAMASTER POLISHING SYSTEM FRANKFURT METAL BOND

Contact CDK Stone for recommended product combination and sequence for your chosen material and finish requirements.

| GRIT | CODE |
|------|-------------|
| 80 | DM.FF.M0080 |
| 150 | DM.FF.M0150 |
| 300 | DM.FF.M0300 |



OCTRON D10 250MM VELCRO BACKED

Wet use on all materials types for surface refinishing.

| GRADE | CODE |
|-------|-------------|
| 60 | DO.10V.0060 |
| 100 | DO.10V.0100 |
| 200 | DO.10V.0200 |
| 400 | DO.10V.0400 |
| 800 | DO.10V.0800 |
| 1500 | DO.10V.1500 |
| 3000 | DO.10V.3000 |
| 5000 | DO.10V.5000 |
| 8000 | DO.10V.8000 |



SMALL BLADES

CDK STONE RANGE OF SMALL BLADES (<230mm)

| | GRANITE | MARBLE | QUARTZITE | ENGINEERED | PORCELAIN | CERAMIC | CONCRETE | GLASS | STONEWARE |
|-----------------------|---------|--------|-----------|------------|-----------|---------|----------|-------|-----------|
| Cobra | ••• | ••• | ••• | ••• | ••• | ••• | •• | •• | ••• |
| Curved | ••• | • | - | •• | ••• | ••• | • | - | - |
| ED (Electroplated) | - | ••• | - | • | •• | ••• | • | - | - |
| EMS | - | ••• | - | • | •• | ••• | - | - | - |
| ES | •• | • | •• | ••• | - | - | •• | - | - |
| Excel | ••• | • | - | •• | - | - | •• | - | - |
| Fine Cut | ••• | • | - | •• | - | - | •• | - | - |
| Stinger | •• | • | • | •• | ••• | ••• | •• | - | • |
| Tornado | ••• | • | - | •• | - | - | •• | - | - |
| Ultra-Thin | • | • | • | • | ••• | ••• | • | - | • |
| Vanity | • | ••• | - | •• | - | - | • | - | - |
| Velocity | •• | • | - | ••• | - | - | •• | - | - |
| Viper | • | • | • | • | ••• | ••• | • | •• | • |
| Xtreme | ••• | • | •• | •• | - | - | •• | - | - |

Blade material usage key:

- Not Recommended • Suitable •• Works Well ••• Works Very Well

Please note all recommendations are a guide only. Performance will vary depending on material. Always perform a test if unsure.

DIAREX®

DIAREX COBRA ULTRA THIN TURBO

A versatile blade suitable for cutting a wide range of materials including Granite, Marble, Quartzite, Engineered Stone, Porcelain, Ceramic and Concrete. With excellent performance on hard materials, this blade is also a great choice for cutting stoneware. Includes a 15.85mm reducer.

| SIZE (MM) | BORE (MM) | CODE |
|-----------|-----------|----------|
| 105 | 22.2 | DBT105UC |
| 115 | 22.2 | DBT115UC |
| 125 | 22.2 | DBT125UC |



DIAREX CURVED TURBO

The Curved blade is a high quality blade that excels at cutting harder materials such as Granite, Marble, and Engineered Stone. Its curved shape allows for precise cutting in tight spaces and intricate designs. Includes a 15.85mm reducer.

| SIZE (MM) | BORE (MM) | CODE |
|-----------|-----------|-----------|
| 125 | 22.2 | DBT125DCV |



DIAREX ED ELECTROPLATED

The ED blade is a great all-around blade that performs well on Marble, Porcelain and Ceramics. Its diamond coating ensures a clean, precise cut every time. Includes a 15.85mm reducer.

| SIZE (MM) | BORE (MM) | CODE |
|-----------|-----------|-----------|
| 125 | 22.2 | DBR125DED |



DIAREX EMS SEGMENTED

A specialized blade designed for cutting softer materials such as Marble and Ceramic. Its high speed cutting action and efficient design make it a great choice for projects where speed and precision are key. Includes a 15.85mm reducer.

| SIZE (MM) | BORE (MM) | CODE |
|-----------|-----------|----------|
| 105 | 22.2 | DB105EMS |
| 125 | 22.2 | DB125EMS |



DIAREX ES TURBO

The ES blade is a versatile blade suitable for cutting a wide range of materials including Granite, Marble, Quartzite and Concrete. Its aggressive diamond coating ensures fast, efficient cutting, while its cooling holes prevent overheating and prolong blade life. Includes a 15.85mm reducer.

| SIZE (MM) | BORE (MM) | CODE |
|-----------|-----------|-----------|
| 100 | 22.2 | DBT105DES |
| 125 | 22.2 | DBT125DES |
| 150 | 22.2 | DBT150DES |
| 180 | 22.2 | DBT180DES |
| 230 | 22.2 | DBT230DES |



SMALL BLADES

DIAREX EXCEL TURBO

The Excel blade is a high performance blade that excels at cutting hard materials such as Granite and Engineered Stone. Its narrow cutting width and high diamond concentration ensure a clean, precise cut every time.

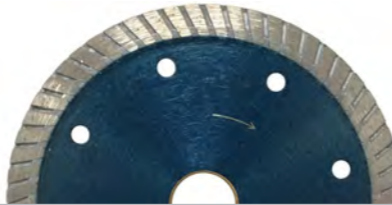
| SIZE (MM) | BORE (MM) | CODE |
|-----------|-----------|-----------|
| 125 | 22.2 | DBT125DXL |



DIAREX FINECUT TURBO

The Fine Cut blade is an excellent choice for cutting Ceramic and Porcelain tiles. Its fine, continuous rim ensures a clean, chip-free cut, while its narrow cutting width allows for precise cuts in tight spaces. Includes a 15.85mm reducer.

| SIZE (MM) | BORE (MM) | CODE |
|-----------|-----------|-----------|
| 125 | 22.2 | DBT125DFC |
| 150 | 22.2 | DBT150DFC |



DIAREX STINGER ULTRA THIN TURBO

The Stinger blade is a versatile blade suitable for cutting a wide range of materials including Granite, Marble, Quartzite, Engineered Stone, Porcelain, Ceramic and Concrete. Its high diamond concentration ensures fast, efficient cutting, while its cooling holes prevent overheating and prolong blade life. Includes a 15.85mm reducer.

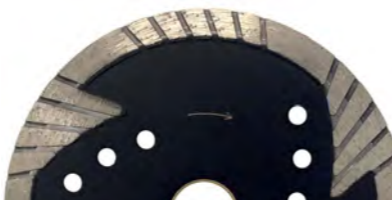
| SIZE (MM) | BORE (MM) | CODE |
|-----------|-----------|----------|
| 105 | 22.2 | DBT105US |
| 125 | 22.2 | DBT125US |



DIAREX TORNADO TURBO

The Tornado blade is a high performance blade that excels at cutting hard materials such as Granite and Engineered Stone. Its turbo rim ensures fast, efficient cutting, while its narrow cutting width allows for precise cuts in tight spaces. Includes a 22.2mm reducer.

| SIZE (MM) | BORE (MM) | CODE |
|-----------|-----------|-----------|
| 125 | 22.2 | DBT125DTD |



DIAREX ULTRA THIN TURBO

The Ultra-Thin blade is a specialized blade designed for cutting Porcelain and Ceramic tiles. Its ultra-thin design ensures minimal chipping, while its high diamond concentration ensures long-lasting performance. Includes a 22.2/15.85mm or 30/25mm reducer.

| SIZE (MM) | BORE (MM) | CODE |
|-----------|-----------|----------|
| 105 | 22.2 | DBT105UT |
| 115 | 22.2 | DBT115UT |
| 125 | 22.2 | DBT125UT |
| 180 | 30 | DBT180UT |
| 200 | 30 | DBT200UT |



DIAREX®

DIAREX VANITY

The Vanity blade is a high quality blade designed specifically for cutting Marble and other soft materials. Its narrow cutting width and high diamond concentration ensure a clean, precise cut every time. Includes a flange attached that is an M14 fitting for use in tight areas.

| SIZE (MM) | BORE (MM) | CODE |
|-----------|-----------|-----------|
| 125 | 22.2 | DBR125DED |



DIAREX VELOCITY TURBO

The Velocity blade is a high performance blade that excels at cutting hard materials such as Granite and Engineered Stone. Its narrow cutting width and high diamond concentration ensure a clean, precise cut every time.

| SIZE (MM) | BORE (MM) | CODE |
|-----------|-----------|-----------|
| 125 | 22.2 | DBT125DVL |



DIAREX VIPER ULTRA THIN

The Viper blade is a versatile blade suitable for cutting a wide range of materials including Granite, Marble, Quartzite, Engineered Stone, Porcelain, Ceramic, Concrete and even Glass. Its diamond coating ensures a clean, precise cut, while its cooling holes prevent overheating and prolong blade life. With an additional diamond coating on the blade's side, the Viper is also ideal for trimming and shaping projects. Includes a 15.85mm reducer.

| SIZE (MM) | BORE (MM) | CODE |
|-----------|-----------|-------------|
| 100 | 22.2 | DBT105VIPER |
| 125 | 22.2 | DBT125VIPER |



DIAREX XTREME TURBO

The Xtreme blade is a high performance blade designed for cutting a variety of hard materials, including Granite, Marble and Quartzite. Its aggressive diamond coating and turbo rim ensure fast, efficient cutting, while its narrow cutting width allows for precise cuts in tight spaces. With its superior cutting power, the Xtreme blade is an excellent choice for demanding projects. Includes a 22.2/15.85mm or 22.2/20mm reducer.

| SIZE (MM) | BORE (MM) | CODE |
|-----------|-----------|-----------|
| 105 | 22.2 | DBT105DXT |
| 125 | 22.2 | DBT125DXT |
| 150 | 22.2 | DBT150DXT |
| 180 | 22.2 | DBT180DXT |
| 230 | 22.2 | DBT230DXT |



DEDICATED SERVICE ON ALL YOUR MACHINES



THE ONE PARTNER YOU NEED FOR STONE

CDK Stone's team of devoted technicians travel across Australia every day, servicing, maintaining, and repairing stone processing machines. With a growing team of 19 technicians Nationally and 25 Technicians across Australia and New Zealand, CDK Stone has become leaders in stone machinery servicing in Australia.



TECH SUPPORT DESK
manned from
7.30am - 4.00pm EST



4 SERVICE CASE MANAGERS
with coverage from
7.30am - 6.00pm EST
Monday - Friday
(7.00pm DST)

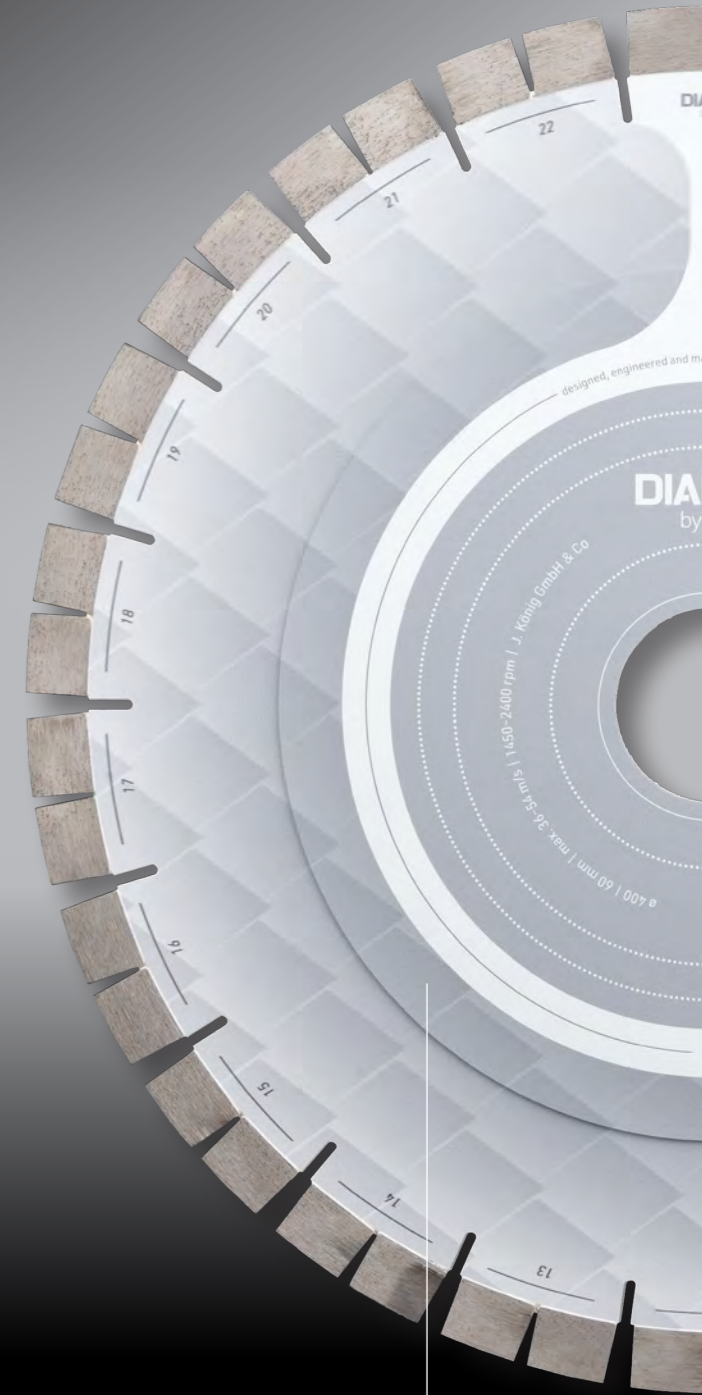


RELATIONSHIPS ACROSS THE GLOBE
working with the leaders
in the stone industry
helping our customers
achieve the best tailored
solutions



WE'VE GOT YOU COVERED
25 technicians across
Australia and New Zealand

DIAREX[®] GREAT WHITE SHARK



NEW CUSTOM DESIGN, SPECIFICALLY FOR THE FAST PRODUCTION OF MODERN 'LOW SILICA' MATERIALS.

IDEAL FOR FULL AUTOMATIC CUTTING OF STRAIGHT CUTS AND MITRE CUTS.

SPECIAL DIAMOND LAYER WITH BROAD APPLICATION FOR FAST CUTTING AS WELL AS SLOWER FEED SPEED FOR MITRE CUTTING.

| SIZE | CODE |
|-------|-----------|
| 400mm | DB400KGWS |
| 450mm | DB450KGWS |
| 500mm | DB500KGWS |

Reinforced core ensures maximum stability and rigidity

LARGE BLADES

CDK STONE RANGE OF LARGE BLADES (>230mm)

| | GRANITE | MARBLE | QUARTZITE | ENGINEERED | NEW GENERATION ENGINEERED | PORCELAIN | CERAMIC | CONCRETE | GLASS | STONEWARE |
|-------------------|---------|--------|-----------|------------|---------------------------|-----------|---------|----------|-------|-----------|
| Great White Shark | •• | - | • | ••• | ••• | - | - | - | - | - |
| White Shark | •• | - | • | ••• | •• | - | - | - | - | - |
| TGVW+ | ••• | - | • | •• | •• | - | - | - | - | - |
| TGIL2 | ••• | - | • | •• | •• | - | - | - | - | - |
| M5 | - | ••• | - | - | - | - | - | •• | - | - |
| Z5 | - | - | ••• | - | - | - | - | - | - | - |
| X3 | •• | • | • | •• | •• | • | • | • | - | - |
| K5 | - | - | - | - | - | ••• | •• | - | • | • |
| K9 | ••• | - | •• | •• | •• | - | - | - | - | - |
| GST | ••• | - | • | •• | •• | - | - | - | - | - |
| C5 | • | • | • | •• | •• | •• | • | - | - | • |
| Ultra Thin | •• | •• | • | • | • | ••• | ••• | •• | • | • |
| SW | - | - | - | - | - | ••• | ••• | - | - | ••• |
| TGB | ••• | •• | •• | •• | • | - | - | •• | - | - |
| Razor 45 | •• | • | • | ••• | •• | •• | •• | •• | • | • |
| UCS | - | - | - | - | - | ••• | ••• | - | •• | •• |
| Speed UCS | - | - | - | - | - | ••• | •• | - | •• | •• |
| Black Label | - | - | - | - | - | •• | ••• | - | - | - |

Blade material usage key:

- Not Recommended • Suitable •• Works Well ••• Works Very Well

Please note all recommendations are a guide only. Performance will vary depending on material. Always perform a test if unsure.

DIAREX®

DIAREX GREAT WHITE SHARK

Specifically designed for the fast production of Modern 'Low Silica' Materials. Ideal for full automatic straight and mitre cutting. Special diamond layer with broad application for fast cutting as well as slower feed speed for mitre cutting.

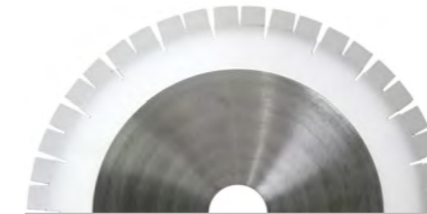


| OPERATING PARAMETERS | | | | |
|----------------------|----------|-----------|---------------|------------------|
| DEPTH OF CUT | DIAMETER | RPM | FEED SPEED | FEED SPEED MITRE |
| 20mm | 400mm | 1450-2400 | 2.5-6.6 m/min | 1.25-3.3 m/min |
| | 450mm | 1800-2160 | | |
| | 500mm | 1300-1500 | | |

| SIZE | BORE (MM) | CODE |
|-------|-----------|-----------|
| 400mm | 60 | DB400KGWS |
| 450mm | 60 | DB450KGWS |
| 500mm | 60 | DB500KGWS |

DIAREX WHITE SHARK NG

Ideal for full automatic cutting of straight cuts and mitre cuts. Special diamond layer with broad application for fast cutting as well as slower feed speed for mitre cutting. Nickel-Spicky diamond technology for optimum tool life.



| OPERATING PARAMETERS | | | | |
|----------------------|----------|-----------|---------------|------------------|
| DEPTH OF CUT | DIAMETER | RPM | FEED SPEED | FEED SPEED MITRE |
| 20mm | 400mm | 1450-2400 | 2.5-6.6 m/min | 1.25-3.3 m/min |
| | 450mm | 1800-2160 | | |
| | 500mm | 1300-1500 | | |

| SIZE | BORE (MM) | CODE |
|-------|-----------|-----------|
| 400mm | 60 | DB400WSNG |
| 450mm | 60 | DB450WSNG |
| 500mm | 60 | DB500WSNG |

DIAREX TGV-W PLUS SILENT BLADE

Premium quality blade for wet-cutting Granite and Engineered Stone on all machines. Gives very clean edges. Minimal chipping on top and bottom edge. Fast and easy cutting even on low-powered saws. 20mm segment height.



| OPERATING PARAMETERS | | | | |
|----------------------|----------|-----------|---------------|------------------|
| DEPTH OF CUT | DIAMETER | RPM | FEED SPEED | FEED SPEED MITRE |
| 20mm | 400mm | 1750-2600 | 2.1-3 m/min | 1.0-1.5 m/min |
| | 450mm | 1800-2300 | | |
| | 500mm | 1400-2100 | | |
| 30mm | 400mm | 1450-2150 | 1.8-2.5 m/min | 0.6-1.25 m/min |
| | 450mm | 1250-1900 | | |
| | 500mm | 1150-1750 | | |
| 40mm | 400mm | 1160-1720 | 1.5-2 m/min | 0.75-1.0 m/min |
| | 450mm | 1000-1520 | | |
| | 500mm | 920-1400 | | |

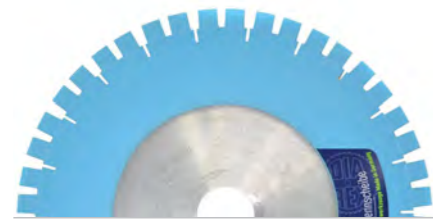
| SIZE | BORE (MM) | CODE |
|-------|-----------|------------|
| 350mm | 60 | DB350TGVW+ |
| 400mm | 60 | DB400TGVW+ |
| 450mm | 60 | DB450TGVW+ |
| 500mm | 60 | DB500TGVW+ |

Please note all recommendations and parameters are a guide only. Feed Speeds, RPMs and any technical operating parameters or recommendations will vary depending on material. Always perform a test on material if unsure.

LARGE BLADES

DIAREX TGI-L-2 SILENT BLADE

Premium quality blade for wet-cutting Granite and Engineered Stone on all machines. Greater lifetime and higher feed speed. Gives very clean edges. Minimal chipping on top and bottom edge. 20mm segment height.



| OPERATING PARAMETERS | | | | |
|----------------------|----------|-----------|------------------|-------------------|
| DEPTH OF CUT | DIAMETER | RPM | FEED SPEED | FEED SPEED MITRE |
| 20mm | 400mm | 1600-2150 | 2.4-3.3 m/min | 1.2-1.65 m/min |
| | 450mm | 1450-1950 | | |
| | 500mm | 1280-1750 | | |
| 30mm | 400mm | 1350-1800 | 2.0-2.7 m/min | 1.0-1.35 m/min |
| | 450mm | 1200-1600 | | |
| | 500mm | 1050-1450 | | |
| 40mm | 400mm | 1080-1440 | 1.6-2.2 m/min | 0.8-1.1 m/min |
| | 450mm | 960-1280 | | |
| | 500mm | 840-1160 | | |

| SIZE | BORE (MM) | CODE |
|-------|-----------|------------|
| 400mm | 60 | DB400TGIL2 |
| 450mm | 60 | DB450TGIL2 |
| 500mm | 60 | DB500TGIL2 |

DIAREX M5

The Diarex M5 Blade is a premium quality blade for wet-cutting of Marble, soft stones and delicate material. The Diarex M5 Blade produces clean and sharp edges and almost no chipping.



| OPERATING PARAMETERS | | | | |
|----------------------|----------|-----------|------------------|------------------|
| DEPTH OF CUT | DIAMETER | RPM | FEED SPEED | FEED SPEED MITRE |
| 20mm | 400mm | 2100-2400 | 2.4-4.8 m/min | 1.2-2.4 m/min |
| | 450mm | 1900-2100 | | |
| | 500mm | 1750-2100 | | |
| 30mm | 400mm | 2600-2800 | 2.4 m/min | 1.2 m/min |
| | 450mm | 2600-2800 | | |
| | 500mm | 1450-1600 | | |
| 40mm | 400mm | 1750-1920 | 1.6-3.2 m/min | 0.8-1.6 m/min |
| | 450mm | 1300-1440 | | |
| | 500mm | 1160-1300 | | |

| SIZE | BORE (MM) | CODE |
|-------|-----------|---------|
| 300mm | 60 | DB300M5 |
| 350mm | 60 | DB350M5 |
| 400mm | 60 | DB400M5 |
| 450mm | 60 | DB450M5 |
| 500mm | 60 | DB500M5 |

DIAREX Z5

The Diarex Z5 Blade is a premium quality blade for wet-cutting of Quartzites and extremely hard materials and can cut in a single pass without going blunt. The Diarex Z5 Blade produces sharp edges with minimal chipping.



| OPERATING PARAMETERS | | | | |
|----------------------|----------|-----------|------------------|-------------------|
| DEPTH OF CUT | DIAMETER | RPM | FEED SPEED | FEED SPEED MITRE |
| 20mm | 400mm | 1000-1200 | 0.7-1.5 m/min | 0.35-0.7 m/min |
| | 450mm | 1000-1200 | | |

| SIZE | BORE (MM) | CODE |
|-------|-----------|---------|
| 400mm | 60 | DB400QZ |
| 450mm | 60 | DB450QZ |

DIAREX®

DIAREX TS X3

The Diarex X3 Blade makes it possible to cut all materials with one blade. Capable of cutting Natural Stone, Engineered Stone, Quartz and Ceramics, the X3's superior performance is due to its unique diamond segments which allow the blade to produce high quality cuts, even at high feed rates.



| OPERATING PARAMETERS | | | | |
|----------------------|----------|-----------|------------------|------------------|
| DEPTH OF CUT | DIAMETER | RPM | FEED SPEED | FEED SPEED MITRE |
| 12mm | 400mm | 2400-2600 | 1.8-3.6 m/min | 1.0-2.0 m/min |
| | 450mm | | 1.5-5.0 m/min | 0.8-2.0 m/min |
| 20mm | 400mm | 2400-2600 | 2.0-5.0 m/min | 1.0-2.0 m/min |
| | 450mm | | 2.0-5.0 m/min | 1.0-2.0 m/min |

| SIZE | BORE (MM) | CODE |
|-------|-----------|------------|
| 400mm | 60 | DB400DTSX3 |

DIAREX K5

The Diarex K5 Blade makes it possible to cut Ultra Compact Surfaces, Sintered Stone, Porcelain and Ceramics with superior results. The advanced diamond segments allow the blade to be even more precise in lower edges of the material, resulting in almost no chipping whilst boasting an impressive extended life-cycle.



| OPERATING PARAMETERS | | | | |
|----------------------|----------|-----------|------------------|------------------|
| DEPTH OF CUT | DIAMETER | RPM | FEED SPEED | FEED SPEED MITRE |
| 12mm | 400mm | 2000-2200 | 0.8-2.2 m/min | 0.4-1.0 m/min |
| | 450mm | 1800-2000 | | |
| 20mm | 400mm | 2000-2200 | 0.7-1.8 m/min | 0.4-1.0 m/min |
| | 450mm | 1800-2000 | | |
| 30mm | 400mm | 2000-2200 | 0.6-1.4 m/min | 0.3-0.6 m/min |
| | 450mm | 1800-2000 | | |

| SIZE | BORE (MM) | CODE |
|-------|-----------|---------|
| 400mm | 60 | DB400K5 |
| 450mm | 60 | DB450K5 |

DIAREX K9 SILENT BLADE

High performance long-life blade for wet-cutting Granite and Engineered Stone on all machine types. 25x20mm segment height.



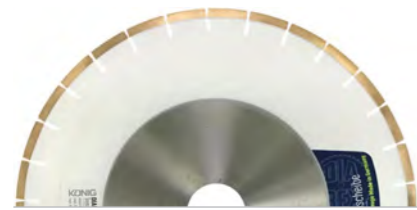
| OPERATING PARAMETERS | | | | |
|----------------------|----------|-----------|------------------|------------------|
| DEPTH OF CUT | DIAMETER | RPM | FEED SPEED | FEED SPEED MITRE |
| 20mm | 400mm | 1750-2400 | 2.4-4.8 m/min | 1.2-2.4 m/min |
| | 450mm | 1550-2100 | | |
| 30mm | 400mm | 1450-2000 | 2.4 m/min | 1.2 m/min |
| | 450mm | 1300-1750 | | |
| 40mm | 400mm | 1160-1600 | 1.6-3.2 m/min | 0.8-1.6 m/min |
| | 450mm | 1040-1400 | | |

| SIZE | BORE (MM) | CODE |
|-------|-----------|----------|
| 400mm | 60 | DB400DK9 |
| 450mm | 60 | DB450DK9 |

LARGE BLADES

DIAREX UCS BRIDGE SAW BLADE

The Diarex UCS Blade is a premium quality blade for high quality, wet cutting of Sintered Stone Surfaces and other kinds of ceramic material. The superior segments allow for an excellent result.

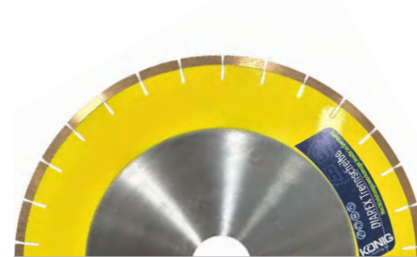


| OPERATING PARAMETERS | | | | |
|----------------------|----------|-----------|------------------|------------------|
| DEPTH OF CUT | DIAMETER | RPM | FEED SPEED | FEED SPEED MITRE |
| 12mm | 350mm | 1800-1900 | 0.8-1.2 m/min | 0.5-0.7 m/min |
| | 400mm | 1700-1800 | | |
| | 450mm | 1400-1600 | | |
| 20mm | 350mm | 1800-1900 | 0.5-0.7 m/min | 0.2-0.4 m/min |
| | 400mm | 1700-1800 | | |
| | 450mm | 1400-1600 | | |

| SIZE | BORE (MM) | CODE |
|-------|-----------|----------|
| 350mm | 60 | DB350UCS |
| 400mm | 60 | DB400UCS |
| 450mm | 60 | DB450UCS |

DIAREX UCS SPEED

Premium quality blade for high production cutting of Sintered Stone Surfaces and other kinds of Ultra Compact Surfaces. Long life, no sharpening required.

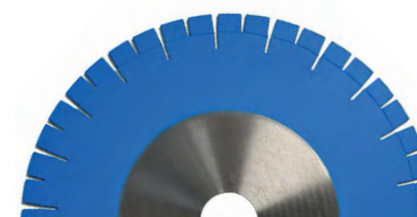


| OPERATING PARAMETERS | | | | |
|----------------------|----------|-----------|------------------|------------------|
| DEPTH OF CUT | DIAMETER | RPM | FEED SPEED | FEED SPEED MITRE |
| 12mm | 350mm | 1750-2200 | 1.5-2.5 m/min | 0.8-1.5 m/min |
| | 400mm | 1900-2000 | | |
| | 450mm | 1700-1800 | | |
| 20mm | 350mm | 1750-2200 | 0.8-2.0 m/min | 0.4-0.6 m/min |
| | 400mm | 1900-2000 | | |
| | 450mm | 1700-1800 | | |

| SIZE | BORE (MM) | CODE |
|-------|-----------|-----------|
| 350mm | 60 | DB350SUCS |
| 400mm | 60 | DB400SUCS |
| 450mm | 60 | DB450SUCS |
| 500mm | 60 | DB500SUCS |

DIAREX GST SILENT BLADE

High performance long-life blade for wet-cutting Granite and Engineered Stone on powerful saws. Ideal for Burkhardt machines. Segment height 25x20mm.



| OPERATING PARAMETERS | | | | |
|----------------------|----------|-----------|------------------|-------------------|
| DEPTH OF CUT | DIAMETER | RPM | FEED SPEED | FEED SPEED MITRE |
| 20mm | 400mm | 1860-2300 | 1.5-3.0 m/min | 0.75-1.5 m/min |

| SIZE | BORE (MM) | CODE |
|-------|-----------|----------|
| 400mm | 60 | DB400GST |

DIAREX®

DIAREX RAZOR 45 ENGINEERED

High quality blade for mitring Engineered Stone and Granite.



| OPERATING PARAMETERS | | | | |
|----------------------|----------|-----------|------------------|--------------------|
| DEPTH OF CUT | DIAMETER | RPM | FEED SPEED | FEED SPEED MITRE |
| 20mm | 350mm | 1800-2200 | 0.5-1.5 m/min | 0.25-0.75 m/min |

| SIZE | BORE (MM) | CODE |
|-------|-----------|-------------|
| 350mm | 60 | DB350DR45NG |

DIAREX UFL MILLING WHEEL

Premium quality Milling wheel with UFL bond for wet milling Granite. Diarex tungsten carbide cutting segments for calibrating wooden saw tables. Sold separately.

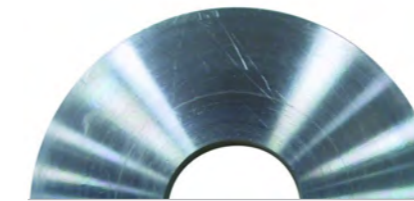


| OPERATING PARAMETERS | | | | |
|----------------------|----------|------|------------|------------------|
| DEPTH OF CUT | DIAMETER | RPM | FEED SPEED | FEED SPEED MITRE |
| 1-2mm | 350mm | 1450 | 1.0 m/min | N/A |

| SIZE | BORE (MM) | CODE |
|-------|-----------|--------------|
| 350mm | 60 | DMW350/40UFL |

DIAREX MILLING WHEEL FLANGE 150MM

Can be used to replace saw's outer flange if spindle is not long enough to accommodate the milling wheel between standard flanges. 50mm bore 14mm thick.



| CODE |
|----------|
| KE05.350 |

DIAREX TGB GRANITE

Premium quality blade for wet cutting Granite and hard stone. Suitable for high periperal speed portable site saws. 12mm segment height.



| OPERATING PARAMETERS | | | | |
|----------------------|----------|-------------|------------|------------------|
| DEPTH OF CUT | DIAMETER | RPM | FEED SPEED | FEED SPEED MITRE |
| Up to 20mm | 250mm | 1850 - 2800 | Manual | Manual |
| | 300mm | 1850 - 2800 | | |
| | 350mm | 1850 - 2800 | | |

| SIZE | BORE (MM) | CODE |
|-------|-----------|----------|
| 250mm | 30 | DB250TGB |
| 300mm | 30 | DB300TGB |
| 350mm | 30 | DB350TGB |

LARGE BLADES

DIAREX ULTRA TURBO ULTRA THIN

The Ultra-Thin blade is a specialized blade designed for cutting Porcelain and Ceramic tiles. Its ultra-thin design ensures minimal chipping, while its high diamond concentration ensures long-lasting performance. Includes a 25mm or reducer.



| OPERATING PARAMETERS | | | | |
|----------------------|----------|-------------|------------|------------------|
| DEPTH OF CUT | DIAMETER | RPM | FEED SPEED | FEED SPEED MITRE |
| Up to 20mm | 230mm | 1850 - 2800 | Manual | Manual |
| | 250mm | 1850 - 2800 | | |
| | 300mm | 1850 - 2800 | | |
| | 350mm | 1850 - 2800 | | |

| SIZE | BORE (MM) | CODE |
|-------|-----------|----------|
| 230mm | 30 | DBT230UT |
| 250mm | 30 | DBT250UT |
| 300mm | 30 | DBT300UT |
| 350mm | 30 | DBT350UT |

DIAREX SW STONWARE BLADE

The Diarex Stoneware Blade is the ultimate blade for cutting Stoneware tiles and thick Porcelain on portable wet saws.

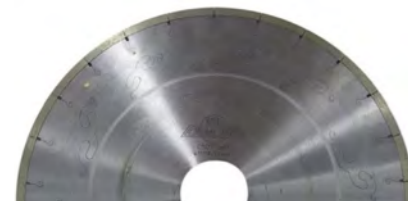


| OPERATING PARAMETERS | | | | |
|----------------------|----------|-------------|------------|------------------|
| DEPTH OF CUT | DIAMETER | RPM | FEED SPEED | FEED SPEED MITRE |
| Up to 20mm | 250mm | 1850 - 2800 | Manual | Manual |
| | 300mm | 1850 - 2800 | | |
| | 350mm | 1850 - 2800 | | |

| SIZE | BORE (MM) | CODE |
|-------|-----------|---------|
| 250mm | 30 | DB250SW |
| 300mm | 30 | DB300SW |
| 350mm | 30 | DB350SW |

DIAREX LUNA C5 PORCELAIN

Special quality blade for wet-cutting Porcelain and Ceramics also suitable for mitring Natural and Engineered Stone.



| OPERATING PARAMETERS | | | | |
|----------------------|----------|-------------|------------|------------------|
| DEPTH OF CUT | DIAMETER | RPM | FEED SPEED | FEED SPEED MITRE |
| Up to 20mm | 300mm | 1850 - 2800 | Manual | Manual |
| | 350mm | 1850 - 2800 | | |

| SIZE | BORE (MM) | CODE |
|-------|-----------|---------|
| 300mm | 60 | DB300C5 |
| 350mm | 60 | DB350C5 |

DIAREX BLACK LABEL BLADE

The Diarex Black Label Blade is a continuous rim, premium quality blade for fast, clean cutting of Porcelain and Ceramic tiles. Includes a 30/22.2mm or 50.15/30mm reducer.



| OPERATING PARAMETERS | | | | |
|----------------------|----------|-------------|------------|------------------|
| DEPTH OF CUT | DIAMETER | RPM | FEED SPEED | FEED SPEED MITRE |
| Up to 20mm | 230mm | 1850 - 2800 | Manual | Manual |
| | 250mm | 1850 - 2800 | | |
| | 300mm | 1850 - 2800 | | |
| | 350mm | 1850 - 2800 | | |

| SIZE | BORE (MM) | CODE |
|-------|-----------|-----------|
| 230mm | 30 | DBR230BLC |
| 250mm | 30 | DBR250BLC |
| 300mm | 50.15 | DBR300BLC |
| 350mm | 50.15 | DBR350BLC |

MANTA

PREMIUM QUALITY PORTABLE WET SAW

MANTA ALUMINIUM PORTABLE SAW

THE MANTA TABLE SAW IS PERFECT FOR WET PROCESSING NATURAL STONE, ENGINEERED STONE, TILES, PAVERS, PORCELAIN OR CERAMICS, DEPENDING ON THE BLADE.

FEATURING AN INTEGRATED WATER TANK WITH RECIRCULATING PUMP SYSTEM, THIS SAW HAS A 45-DEGREE BRIDGE TILT THAT IS IDEAL FOR MITRED EDGES.

THE MANTA PORTABLE SAW IS MADE FROM HIGH QUALITY MATERIALS AND FEATURES A ROBUST DESIGN. THE SAW'S LEGS CAN FOLD DOWN FOR EASY TRANSPORT IN A TRUCK, UTE OR VAN.

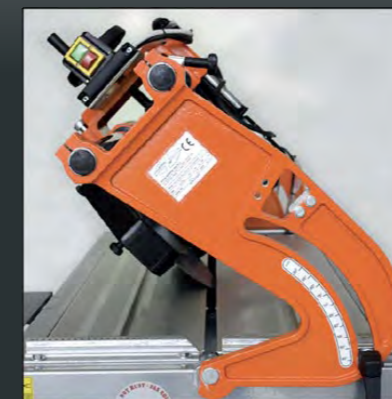
AN OPTIONAL EXTENSION PLATE AND SIDE EXTENSION ROLLERS ARE ALSO AVAILABLE FOR THE MANTA PORTABLE SAW.

THE MANTA PORTABLE SAW IS THE ULTIMATE ON-SITE SAW FOR WET PROCESSING.

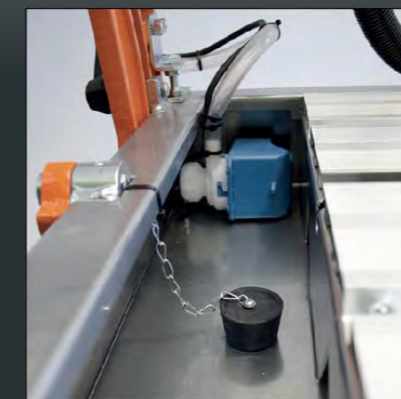


| MAX DISC DIAMETER | MAX CUTTING THICKNESS | SPINDLE SPEED | MOTOR | CUTTING LENGTH | CODE |
|-------------------|-----------------------|---------------|---------------|----------------|-----------|
| 350mm | 110mm | 2800rpm | 2.2kw 230V | 1000mm | MANTA100A |
| 350mm | 110mm | 2800rpm | 2.2kw 230V | 1200mm | MANTA120A |

MANTA PORTABLE SAW FEATURES



45 DEGREE TILT FOR MITRED AND ANGLED CUTS



STAINLESS STEEL WATER TANK & RECIRCULATING PUMP SYSTEM



FOLDABLE LEGS WITH WHEELS FOR EASY TRANSPORTATION

MANUAL HAND GRINDING/DRILLING

DIAREX VDU VACUUM BRAZED CORE DRILLS

Premium quality long life drill bit for Porcelain, Ceramic, Marble and Limestone. M14 fitting.

| SIZE (MM) | DRILLING DEPTH (MM) | CODE |
|-----------|---------------------|-----------|
| 6 | 30 | DCD006VDU |
| 8 | 30 | DCD008VDU |
| 10 | 30 | DCD010VDU |
| 12 | 30 | DCD012VDU |
| 16 | 30 | DCD016VDU |
| 20 | 30 | DCD020VDU |
| 25 | 30 | DCD025VDU |
| 30 | 30 | DCD030VDU |
| 32 | 30 | DCD032VDU |
| 35 | 30 | DCD035VDU |
| 38 | 30 | DCD038VDU |
| 40 | 30 | DCD040VDU |
| 45 | 30 | DCD045VDU |
| 50 | 30 | DCD050VDU |
| 55 | 30 | DCD055VDU |
| 60 | 30 | DCD060VDU |
| 70 | 30 | DCD070VDU |
| 80 | 30 | DCD080VDU |
| 90 | 30 | DCD090VDU |
| 100 | 30 | DCD100VDU |
| 110 | 30 | DCD110VDU |



DIAREX TGS CORE DRILLS

Hexagonal Shank. For Granite and Engineered Stone.

| SIZE (MM) | DRILLING DEPTH (MM) | CODE |
|-----------|---------------------|-----------|
| 20 | 65 | DCD020TGS |
| 25 | 65 | DCD025TGS |
| 30 | 65 | DCD030TGS |
| 32 | 65 | DCD032TGS |
| 35 | 65 | DCD035TGS |
| 38 | 65 | DCD038TGS |
| 45 | 65 | DCD045TGS |
| 50 | 65 | DCD050TGS |
| 55 | 65 | DCD055TGS |
| 60 | 65 | DCD060TGS |
| 65 | 65 | DCD065TGS |
| 70 | 65 | DCD070TGS |
| 80 | 65 | DCD080TGS |
| 90 | 65 | DCD090TGS |
| 100 | 65 | DCD100TGS |



DIAREX TGA CORE DRILLS

M14 internal thread. For Granite and Engineered Stone.

| SIZE (MM) | DRILLING DEPTH (MM) | CODE |
|-----------|---------------------|------------|
| 12 | 65 | DCD012STGA |
| 16 | 65 | DCD016STGA |
| 19 | 65 | DCD019STGA |
| 25 | 65 | DCD025STGA |
| 30 | 65 | DCD030STGA |
| 32 | 65 | DCD032STGA |
| 35 | 65 | DCD035STGA |
| 38 | 65 | DCD038STGA |
| 40 | 65 | DCD040STGA |
| 50 | 65 | DCD050STGA |
| 60 | 65 | DCD060STGA |
| 70 | 65 | DCD070STGA |
| 80 | 65 | DCD080STGA |
| 90 | 65 | DCD090STGA |
| 100 | 65 | DCD100STGA |



DIAREX®

DIAREX NINJA DIAMOND FLAP DISCS

For shaping, grinding and beveling edges on Natural Stone, Engineered Stone, Porcelain & Sintered Stone. These premium quality discs allow for fast grinding and heavy stock removal. M14 fitting.

| GRIT | SIZE | CODE |
|------|-------|------------------|
| 60 | 115mm | DFD115X22P50M060 |
| 120 | 115mm | DFD115X22P50M120 |
| 200 | 115mm | DFD115X22P50M200 |
| 400 | 115mm | DFD115X22P50M400 |



DIAREX CHAMFER KIT

Vacuum brazed diamond chamfering bit. Conic chamfering wheel. Bevel Ease chamfers and stress relieves for holes in Glass, Ceramic and Porcelain tiles. The kit includes 5-12mm, 5-35mm and 35-75mm chamfering bits.

| CODE |
|-----------|
| DCBKITVDU |



DIAREX VDU CORE DRILLS KIT

Premium quality long life drill bits for Porcelain, Ceramic, Marble and Limestone. M14 fitting. The kit includes 6, 8, 12, 20, 38 & 50mm core drills, 10mm and 20mm router bits and M14 to shank adaptor.

| CODE |
|-----------|
| DCDKITVDU |



DIAREX VDU ROUTER BITS

Premium quality long life router bit for milling Porcelain, Ceramic, Marble and Limestone. M14 fitting.

| SIZE | CODE |
|------|--------|
| 10mm | DRB10A |
| 20mm | DRB20A |



DIAREX GRINDER THREAD ADAPTOR PACK

The Diarex Grinder Thread Apaptor Pack allows you fit any M14 diamond tool to an M10 grinder. M10 to M14 thread. Includes one M10 with 1.25mm pitch and one M10 with 1.5mm pitch.

| THREAD | CODE |
|---------|-------------|
| M10/M14 | TAM14M10KIT |



DIAREX GRINDER THREAD ADAPTER PACK

With the Diarex Drill Thread Adapter, you can fit any M14 diamond tool to a drill. 9mm Hex Shank to M14 thread.

| THREAD | CODE |
|--------|----------|
| M14 | TAM14MSS |



MANUAL HAND GRINDING/DRILLING

DIAREX TURBO EXTRACTION GRINDING CUP 100MM

Turbo grinding cup for Granite and Engineered Stone with vented body. M14 thread. Use with effective on tool extraction system only.

| GRADE | COLOUR | CODE |
|--------|--------|-----------|
| 80/100 | Orange | DCW4TBK2A |



DIAREX DMS EXTRACTION GRINDING CUP

Super aggressive flat grinding cup for Concrete and Granite. Available in both 125mm and 180mm varieties. Use with effective on tool extraction system only. Grade is 30/40 for both sizes.

| SIZE | FITTING | CODE |
|-------|---------|-----------|
| 125mm | 22.2mm | DCW5DMS0H |
| 180mm | 22.2mm | DCW7DMS0H |



DIAREX EDGE WET GRINDING CUP 100MM

High quality grinding cup for Granite and Engineered Stone with Tornado magnetic backing.

| GRADE | CODE |
|-------|-----------|
| 40 | DCW4EBK0M |
| 60/80 | DCW4EBK1M |



DIAREX TORNADO BEVELLING / SHAPING CUP MAGNETIC FITTING 100MM

German designed, high quality beveling and shaping cup. Wet use only on Granite and Engineered Stone. Great value with a superb finish.

| GRADE | COLOUR | CODE |
|--------------|--------|------|
| Extra Coarse | Blue | T0SF |
| Coarse | Red | T1SF |
| Medium | Yellow | T2SF |



DIAREX TORNADO FLAT CUP MAGNETIC FITTING 100MM

German designed, high quality grinding cup for flat surfaces. Wet use only on Granite and Engineered Stone. Great value with a superb finish.

| GRADE | COLOUR | CODE |
|--------------|--------|------|
| Extra Coarse | Blue | T0S |
| Coarse | Red | T1S |
| Medium | Yellow | T2S |
| Fine | Green | T3S |



DIAREX TORNADO FLEXIBLE CUP MAGNETIC FITTING 100MM

German designed, high quality grinding cup for curved surfaces. Wet use only on Granite and Engineered Stone. Great value with a superb finish.

| GRADE | COLOUR | CODE |
|--------|--------|------|
| Coarse | Red | T1E |
| Medium | Yellow | T2E |



DIAREX PRO-SERIES GRINDING CUP 100MM

Double layer turbo grinding cup for fast, smooth coarse grinding. Designed for unmatched, professional performance with very low chipping. Ideal for excellent performance on Natural Stone, Engineered Stone, Sintered Stone and Porcelain. M14 fitting.

| GRADE | COLOUR | CODE |
|------------|--------|----------|
| Coarse | Gold | DCW4DP0A |
| Medium | Green | DCW4DP1A |
| Fine | Red | DCW4DP2A |
| Ultra Fine | Yellow | DCW4DP3A |



DIAREX PRO-SERIES RESIN FILLED GRINDING CUP 100MM

Resin filled grinding cup for smooth, chip free grinding. Designed for unmatched, professional performance with less vibration which results in almost no chipping. Ideal for excellent performance on Natural Stone, Engineered Stone, Sintered Stone and Porcelain. M14 fitting.

| GRADE | COLOUR | CODE |
|--------|--------|-----------|
| Coarse | Gold | DCW4DPR0A |
| Medium | Green | DCW4DPR1A |
| Fine | Red | DCW4DPR2A |



ADI ULTRA COMPACT SURFACES GRINDING CUP 115MM

Designed for use with Ultra Compact Surfaces & Sintered Stone, this grinding cup ensures exceptional performance. The diamonds are precisely embedded to maintain uniform height across all tips, effectively preventing material chipping. This innovative design results in good performance on hard Ceramic materials, Ultra Compact Surfaces, Sintered Stone & Porcelain. M14 fitting.

| CODE |
|-----------|
| DCW4UCS1A |



DIAREX VACUUM BRAZED GRINDING DRUM M14

Vacuum brazed grinding drum for wet or extraction use on Granite and Engineered Stone. M14 thread. Available in three grades and 25mm, 50mm & 75mm.

| GRADE | SIZE | CODE |
|--------|------|-----------|
| Coarse | 25mm | DGD025V0A |
| Medium | 25mm | DGD025V1A |
| Fine | 25mm | DGD025V2A |
| Coarse | 50mm | DGD050V0A |
| Medium | 50mm | DGD050V1A |
| Fine | 50mm | DGD050V2A |
| Coarse | 75mm | DGD075V0A |
| Medium | 75mm | DGD075V1A |
| Fine | 75mm | DGD075V2A |



DIAREX GRINDING POINT 10MM

Grinding point for wet or extraction use on Granite, Marble and Engineered Stone. 6mm straight shank.

| GRADE | CODE |
|--------|----------|
| Coarse | DGP010S6 |



MACHINE GRINDING

DIAREX HAWK WET GRINDING CUP 100MM

Premium quality wet grinding cup for Granite & Engineered Stone. Snail Backing.

| GRADE | POSITION | CODE |
|-------|----------|-----------|
| 40 | 0 | DCW4HAW0S |
| 60/80 | 1 | DCW4HAW1S |
| 120 | 2 | DCW4HAW2S |



ADI GENERATING WHEEL COMANDULLI SPEEDY SYSTEM

Suitable for Comandulli Speedy System.

| CODE |
|---------|
| PA33158 |



ADI GENERATING WHEEL FOR COMANDULLI OMEGA & SYNTHESIS

Suitable for Comandulli Omega & Synthesis.

| CODE |
|---------|
| PA33334 |



ADI CALIBRATING WHEEL FOR COMANDULLI OMEGA & SYNTHESIS

Suitable for Comandulli Omega & Synthesis.

| CODE |
|---------|
| PA34011 |



ADI CALIBRATING WHEEL FOR COMANDULLI MUSA & PENTA

Suitable for Comandulli Musa & Penta.

| CODE |
|---------|
| PA34095 |



ADI CALIBRATING WHEEL FOR COMANDULLI MUSA NEXT

Suitable for Comandulli Musa Next.

| CODE |
|---------|
| PA34124 |



ADI BEVELLING WHEEL FOR COMANDULLI TMM MUSA & SPIRA

Suitable for Comandulli Musa with TMM3 Beveling Head.

| CODE |
|---------|
| PA45018 |



ADI BEVELLING WHEEL FOR COMANDULLI

Suitable for all Comandulli machines with TMM2 and TMM4 Beveling Heads.

| CODE |
|---------|
| PA32166 |



MANUAL MILLING / ROUTING

DIAREX SINTERED PROFILE WHEEL PROFILE F

Economical profile shaping wheel for use on most popular stone routing machines with 22.2mm boss. Comes complete with rotating central bearing and machined fixing bolt.

| THICKNESS | CODE |
|-----------|----------|
| 20mm | DPW20F1D |
| 30mm | DPW30F1D |



DIAREX SINTERED PROFILE WHEEL PROFILE V

Economical profile shaping wheel for use on most popular stone routing machines with 22.2mm boss. Comes complete with rotating central bearing and machined fixing bolt.

| THICKNESS | CODE |
|-----------|----------|
| 30mm | DPW30V1D |
| 40mm | DPW40V1D |



DIAREX VACUUM BRAZED FLUTE MILLING WHEEL

Mills flutes with radius of 6.35mm. Used on bridge saws to mill drainage flutes.

| SIZE | BORE (MM) | CODE |
|-------|-----------|-----------|
| 400mm | 60 | FMW400DRX |



CHEMICALS

SECTION 3

| | |
|--|-----------|
| BUFFING COMPOUNDS | 46 |
| ADHESIVES | 50 |
| SURFACE EMBELLISHMENT | 59 |
| CLEANING, PROTECTION, MAINTENANCE | 62 |
| RESTORATION | 74 |

BUFFING COMPOUNDS

BUFFING CHALK BAR WHITE

White polishing compound for use with calico buffs.

| SIZE | CODE |
|------|------------|
| 750g | BC.CHLKWHT |



HARD POLISHING WAX

Buffing wax for use with calico buffs. Available in black and neutral.

| SIZE | CODE |
|---------|------------|
| Black | BC.WXBLACK |
| Neutral | BC.WXNEUT |



DIA-GLO STAINLESS STEEL FLOOR PAD

17 inch stainless steel floor pad suitable for floor polishing machines.

| SIZE | CODE |
|-------|-----------|
| 430mm | BC.DG17SS |



DIA-GLO POLISHING POWDER TYPE M

Produces a high gloss finish on Marble and Terazzo surfaces.

| SIZE | CODE |
|------|------------|
| 1lt | BC.DGMP.01 |
| 10lt | BC.DGMP.10 |



MB-12 MARBLE POLISHING POWDER

A wet to dry Marble Polishing Powder that produces a high gloss finish. Also suitable for Limestone, Travertine, and Terrazzo.

| SIZE | CODE |
|------|---------------|
| 450g | BC.MB-12.01.0 |



MB-20 GRANITE POLISHING PASTE

MB-20 is a Granite polishing compound used to achieve a high gloss finish. MB-20 can be tinted using Liquid tints if required.

| SIZE | CODE |
|------|---------------|
| 1kg | BC.MB-20.01.0 |



TENAX 5 EXTRA POWDER 1.0 KG

Yellow oxalic-acid based polishing powder for Marble and Limestone.

| COLOUR | CODE |
|---------|-----------|
| Neutral | TNX5XP1.0 |



REULIN BLACK POLISHING POWDER

Premium quality black polishing powder for black Granite and other dark stones.

| SIZE | CODE |
|------|---------------|
| 5kg | BC.REULIN.B05 |
| 25kg | BC.REULIN.B25 |



REULIN M POLISHING POWDER

Premium quality polishing powder for Marble and Limestone.

| SIZE | CODE |
|------|---------------|
| 5kg | BC.REULIN.M05 |
| 25kg | BC.REULIN.M25 |



QUARTZ RENEW POLISHING SYSTEM PRO KIT

Repairing Engineered Stone has been a massive issue, until now! Quartz renew was developed to help achieve a factory finish on Engineered Stone. The Pro Kit includes 6 Resin Pads (50-1500 Grit), 4 Felt Diamond Pads (step 1 - 4) and the 3 Step Resin Polishes.

| SIZE | CODE |
|------------------|-----------|
| Professional Kit | QR.PROKIT |



QUARTZ RENEW POLISHING SYSTEM STARTER KIT

Repairing Engineered Stone has been a massive issue, until now! Quartz renew was developed to help achieve a factory finish on Engineered Stone. The starter kit includes a Snake Skin Revealer 80oz, a Resin Polish 80oz and a Final Polish 80oz.

| SIZE | CODE |
|-------------|---------|
| Starter Kit | QR.SKIT |



QUARTZ RENEW ADDITIONAL APPLICATORS

The Applicators will need to be paired with a set of Quartz Renew Resin Polishes for best results.

| SIZE | CODE |
|-----------------------|-----------|
| Wool Pad Applicator | QR.WOOL1 |
| Green Foam Applicator | QR.GREEN2 |
| White Foam Applicator | QR.WHITE3 |



QUARTZ RENEW RESIN POLISH'S

The Resin Polishers will need to be paired with a set of Quartz Renew Applicators for best results.

| SIZE | CODE |
|---------------------|-----------|
| Snake Skin Revealer | QR.QR1-08 |
| Resin Polish | QR.QR2-08 |
| Final Polish | QR.QR3-08 |



SURFACE BONDER
Rapid
 High Speed Seaming Adhesive

Integra
Adhesives

CURE IN HALF THE TIME

Surface Bonder Rapid is developed to cure in half the time of similar products to get you on to the next job quickly.

- ✓ Fast 4-8 minute working time
- ✓ 25 standard colors
- ✓ Non-sagging, mess free formula
- ✓ High-strength bonding
- ✓ Developed for Quartz, Natural Stone and Sintered Materials
- ✓ Styrene-free



Integra Adhesives COLOUR CHART

| | | | | | | | | |
|-------------------|---------------|--------------|--------------|-------------------|---------------|--------------|--------------|---------------|
| | | | | | | | | |
| Crystal Clear | Chameleon | Aqueous | Magic | Transparent White | Arctic White | Bright White | Snow White | Glacier White |
| | | | | | | | | |
| White Linen | Pure White | White | Winter White | White Chocolate | Perfect White | Zenith | Polar White | Alabaster |
| | | | | | | | | |
| Nougat | Newport Grey | White North | Cloud | Newgale Grey | Raw Silk | Pearl | Moon dust | Silver |
| | | | | | | | | |
| Cinder | Geogris | Stellar Grey | Pewter | Clamshell | Raton | Seashell | Natural Grey | Oyster |
| | | | | | | | | |
| Meteor Grey | Portland | Steel Grey | Quarry | Oscuro | Dorado | Thunder Grey | Iron Grey | Storm Grey |
| | | | | | | | | |
| Graphite | Absolute Grey | Raven | River Rock | Dusk | Nacreto | Flint | Galaxy Black | Onyx |
| | | | | | | | | |
| Transparent Black | Satin Black | Black | Espresso | Mocha | Tiffany Grey | Slate | Medea | Earth |
| | | | | | | | | |
| Uba Tuba | Khaki | Desert | Beige Olimpo | Sandstone | Ginger | Sand | Bone | Antique |
| | | | | | | | | |
| Cygnus Pearl | Marfil | Apricot | Brie | Champagne | Limestone | Beach | Lunar Pearl | Coastal Path |

ADHESIVES

INTEGRA SURFACE BONDER RAPID

Integra Adhesive's Surface Bonder Rapid is a fast, high strength, no sag adhesive that has been developed to improve production output for high volume fabrication.

PIECES PER BOX 20

| SIZE | COLOUR | CODE |
|-------|----------------------|---------------|
| 250ml | various pre-coloured | IA.RA####.250 |



INTEGRA SURFACE BONDER ZERO

Perfect for stone fabrication. Surface Bonder Zero is a non sagging adhesive specifically designed for Quartz and Natural Stone products. Its non-sag properties make it ideal for mitered edges, the adhesive stays right where you put it. Surface Bonder Zero is also great for vertical applications making it an ideal adhesive for deck seam installations in the field. No drips, no mess."

PIECES PER BOX 20

| SIZE | COLOUR | CODE |
|-------|----------------------|---------------|
| 250ml | various pre-coloured | IA.ST####.250 |



INTEGRA SURFACE BONDER ULTRA

Surface Bonder Ultra is a versatile adhesive for Ceramics & Sintered Stone, Natural Stone, Quartz, Glass. UV and weather stable for indoor and outdoor use. Zero yellowing, staining or bleeding.

PIECES PER BOX 20

| SIZE | COLOUR | CODE |
|-------|----------------------|----------------|
| 215ml | various pre-coloured | IA.SBU####.215 |



INTEGRA ADHESIVE STATIC MIXER

Features a bayonet style mechanism for quick attachment and removal. The unique downpipe on the coaxial design keeps both the adhesive and catalyst components separate to prevent cross-contamination. Activator is split into two streams at the base of the tip vastly increasing mixing power. Squared nozzle design helps maintain a steady, even bead along the entire joint to be seamed.

| PRODUCT | SIZE | CODE |
|--------------|-------|--------------|
| Rapid / Zero | 250ml | IA.SM.250 |
| Ultra | 215ml | IA.SBUSM.215 |
| RD50 | 500ml | IA.SM.RD50 |
| Substrate | 200ml | IA.SBSM.200 |
| Component | 400ml | IA.SM.CB400 |



Integra Adhesives

INTEGRA RODDING COMPOUND - RD50

The Rodding Compound RD50 provides a fast curing, low waste, labor saving adhesive for embedding rods in Granite, Marble and Engineered Stone benchtops.

PIECES PER BOX 10

| SIZE | COLOUR | CODE |
|-------|-------------|---------------|
| 500ml | Transparent | IA.RD50.1.500 |



INTEGRA SUBSTRATE BONDER

Substrate Bonder is designed to develop strong, highly flexible bonds between Solid Surfaces, Engineered Stone, Granite and the materials such as MDF, Plywood, PVC, HPL, and ABS.

PIECES PER BOX 20

| SIZE | COLOUR | CODE |
|-------|--------|-----------|
| 200ml | Straw | IA.SB.200 |



INTEGRA COMPONENT BONDER

Composite Bonder is a premium grade, toughened Methacrylate adhesive, used to create a fast curing, strong, flexible bond to a wide variety of substrates.

PIECES PER BOX 10

| SIZE | CODE |
|-------|----------------|
| 400ml | IA.COMPOND.400 |



INTEGRA ADHESIVES DISPENSER

The Intergr dispensers offers high quality features of non-drip mechanism, steel frame, powder coated finishes, plastic coated handles, thumb activated instant pressure release, wear compensation screw.

| PRODUCT | SIZE | CODE |
|-------------------|-------|-------------|
| Ultra / Substrate | 215ml | IA.DISP.215 |
| Rapid / Zero | 250ml | IA.DISP.250 |
| Component | 400ml | IA.DISP.400 |
| RD50 | 500ml | IA.DISP.500 |



INTEGRA ADHESIVES PNEUMATIC DISPENSER

The premiere pneumatic dispenser on the market. It's unique design makes it compatible with both our 250ml and 500ml cartridges.

| SIZE | CODE |
|---------------|--------------|
| 250ml & 500ml | IA.DISP.500P |



ADHESIVES

Megapoxy

MEGAPOXY PF

Megapoxy PF is a rapid set epoxy adhesive which sets in three to five minutes and attains more than half its ultimate strength within 15 minutes of mixing. Megapoxy PF "hardens-as-you-hold-it" for immediate on the spot emergency repairs to tanks, pipes, machinery, concrete structures etc.

| SIZE | CODE |
|------|--------------|
| 4L | MEGAPOXY4PF |
| 20L | MEGAPOXY20PF |



MEGAPOXY PM

Megapoxy PM is specially formulated structural non-sag epoxy filling paste and adhesive. This easy to use two-part epoxy sets after mixing to an extremely durable adhesive ideal for bonding natural stone, concrete, steel, timber, glass and masonry. It's easy to use 1:1 mixing makes it suitable for onsite applications.

| SIZE | CODE |
|------|--------------|
| 4L | MEGAPOXY4PM |
| 20L | MEGAPOXY20PM |



MEGAPOXY 69

Megapoxy 69 is a translucent clear non-sag gel type epoxy. Ideal for structural bonding of metals to metals, metals to concrete and masonry, assembly of Natural Stone fabrications, and many other civil engineering applications requiring superior bond strengths. It retains its high strength after repeated high impact forces.

| SIZE | CODE |
|------|----------------|
| 4L | MEGAPOXY694PM |
| 20L | MEGAPOXY6920PM |



MEGAPOXY HX EPOXY RESIN

Megapoxy HX is a Solvent Free and Hydrophilic Extra Low Viscosity Epoxy Resin. Recent advances in epoxy resin technology enabled the development of very low viscosity 100% reactive epoxy resin system for repair of cracked concrete by gravity penetration or low pressure injection.

| SIZE | CODE |
|------|-------------|
| 4L | MEGAPOXYHX4 |



MEGAPOXY PF GEL

Megapoxy PF is a rapid set epoxy adhesive which sets in three to five minutes and attains more than half its ultimate strength within 15 minutes of mixing. Megapoxy PF "hardens-as-you-hold-it" for immediate on the spot emergency repairs to tanks, pipes, machinery, concrete structures etc.

| SIZE | CODE |
|------|---------------|
| 4L | MEGAPOXYPFGEL |



Superior

SUPERIOR GOLD

Superior GOLD is a revolutionary and unique adhesive perfectly suited for use on nearly all stone surfaces both indoors and outdoors. Superior GOLD is very light/white (pearlescent/translucent) in colour making it ideal for invisible joints, especially on light/white coloured stones. UV resistant. Ideal for Natural Stone, Sintered Stone, Quartz Surface, Solid Surface and more!

| VISCOSITY | SIZE | CODE |
|-----------|------|----------|
| GV1 | 1L | SUPGV101 |
| GV1 | 4L | SUPGV104 |
| GV1 | 20L | SUPGV120 |
| GV5 | 1L | SUPGV501 |
| GV5 | 4L | SUPGV504 |
| GV5 | 20L | SUPGV520 |
| GV9 | 1L | SUPGV901 |
| GV9 | 4L | SUPGV904 |
| GV9 | 20L | SUPGV920 |



PIECES PER BOX 1L - 6, 4L - 2

SUPERIOR PEARL

Superior PEARL is very light / white (pearlescent) in color making it ideal for invisible joints, especially on light/white colored stones. Perfect for seaming, laminating and chip repair on all types of natural and engineered stone.

| VISCOSITY | SIZE | CODE |
|-----------|------|----------|
| PV5 | 1L | SUPPV501 |
| PV5 | 4L | SUPPV504 |
| PV5 | 20L | SUPPV520 |
| PV9 | 1L | SUPPV901 |
| PV9 | 20L | SUPPV920 |



PIECES PER BOX 1L - 6, 4L - 2

SUPERIOR FUSION

Superior FUSION is a blend of Vinyl Ester and Modified Acrylic adhesive technology. Perfect for seaming, mitring, laminating and chip repair. Ideal for Natural Stone, Sintered Stone, Quartz Surface, Solid Surface and more!

| VISCOSITY | SIZE | CODE |
|-----------|------|----------|
| FV5 | 1L | SUPFV501 |
| FV5 | 4L | SUPFV504 |



PIECES PER BOX 1L - 6, 4L - 2

Superior VISCOSITY CHART

FLOWING

Superior Gold GV1 is a flowing grade adhesive. The below scale is used to illustrate the viscosity of this adhesive.



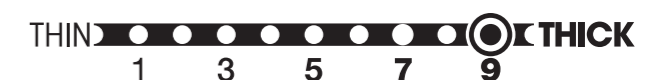
KNIFE GRADE

Superior Gold GV5, Pearl PV5 & Fusion FV5 are knife grade adhesive. The below scale is used to illustrate the viscosity of this adhesive.



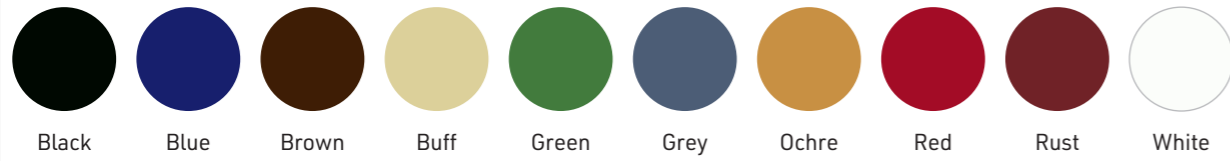
THICK KNIFE GRADE

Superior Gold GV9 & Pearl PV9 are thick knife grade adhesive. The below scale is used to illustrate the viscosity of this adhesive.



ADHESIVES

Superior COLOUR CHART



SUPERIOR COLOUR PASTE

Superior Coloring Paste is technologically advanced. Using unique resin technology, this color paste ensures you get a true color match and longer shelf life. The color you create will be the same after the adhesive has cured. Features a unique resin technology for a true color match, longer shelf life, as well as, available in 10 different colors.

| SIZE | COLOUR | CODE |
|------|--------|-------------|
| 60ml | Black | SUPCOLBLK60 |
| 60ml | Blue | SUPCOLBLU60 |
| 60ml | Brown | SUPCOLBRN60 |
| 60ml | Buff | SUPCOLBUF60 |
| 60ml | Green | SUPCOLGRN60 |
| 60ml | Ochre | SUPCOLOCH60 |
| 60ml | Red | SUPCOLRED60 |
| 60ml | Rust | SUPCOLRST60 |
| 60ml | White | SUPCOLWHT60 |



SUPERIOR COLOUR PASTE KIT

Superior Coloring Paste kit in assorted colours.

PIECES PER BOX 10

| SIZE | COLOUR | CODE |
|------|------------------|-------------|
| 60ml | assorted colours | SUPCOLAST60 |



SUPERIOR PASTE HARDENERS

Extra paste hardeners for polyester and acrylic-based adhesive products. Available in 30ml and 120ml tubes, this white paste serves as the catalyst that accelerates the chemical reactions.

| SIZE | CODE |
|-------|-----------|
| 30ml | SUPBPO030 |
| 120ml | SUPBPO120 |



TENAX SOLID BIANCO

Thixotropic knife-grade mastic with high viscosity for gluing and grouting of Marble, Onyx and Stone in horizontal and vertical in a white colour. Excellent adhesion on Marble, Stone and Engineered Stone. Excellent reactivity at low temperatures. Contains very quantities of VOC. Colourable with Tenax Colour Pastes.

PIECES PER BOX 1L - 6, 4L - 4

| SIZE | COLOUR | CODE |
|------|--------|--------------|
| 1L | White | TNXBIANS1.0 |
| 4L | White | TNXBIANS4.0 |
| 17L | White | TNXBIANS17.0 |

| | |
|-----------------------------------|-----------|
| Ratio of mastic + hardener | 100 + 2/3 |
| Gel time (in bulk at 25°) | 4-5 min |
| Tacky free (in thin layer at 25°) | 25-30 min |



TENAX SOLID BIANCO 2

Polyester resin adhesive is a pre-coloured white adhesive paste used for glueing and repairing Stone. Extra white. Thixotropic knife-grade mastic with high viscosity for gluing and grouting of Marble, Onyx and Stone in horizontal and vertical. Excellent adhesion on Marble, Stone and Engineered Stone. Excellent reactivity at low temperatures. Contains low quantities of VOC.

PIECES PER BOX 1L - 6

| SIZE | COLOUR | CODE |
|------|--------|--------------|
| 1L | White | TNXBIA2S1.0 |
| 17L | White | TNXBIA2S17.0 |

| | |
|-----------------------------------|-----------|
| Ratio of mastic + hardener | 100 + 2/3 |
| Gel time (in bulk at 25°) | 4-5 min |
| Tacky free (in thin layer at 25°) | 25-30 min |



TENAX SOLID NERO

Highly concentrated, black paste wax designed to increase the brilliance of glossy surfaces. Excellent water/oil repellent properties. No yellowing in UV. No surface films. Food safe

PIECES PER BOX 6

| SIZE | COLOUR | CODE |
|------|--------|------------|
| 1L | Black | TNXBLKS1.0 |

| | |
|-----------------------------------|-----------|
| Ratio of mastic + hardener | 100 + 2/3 |
| Gel time (in bulk at 25°) | 4-5 min |
| Tacky free (in thin layer at 25°) | 25-30 min |



TENAX MARBLE SUPER TRANSPARENT

Extra-clear knife-grade glue, good thixotropy and very smooth. The glue is used to laminate, bond, repair and fill Marble and Engineered Stones. Excellent colour stability. Excellent reactivity at low temperatures. Contains low quantities of VOC. Great for White Marble/Onyx.

PIECES PER BOX 6

| SIZE | COLOUR | CODE |
|------|-------------|------------|
| 1L | Transparent | TNXMSTS1.0 |

| | |
|-----------------------------------|------------|
| Ratio of mastic + hardener | 100 + 2/3 |
| Gel time (in bulk at 25°) | 3-6 min |
| Tacky free (in thin layer at 25°) | 1-1.5 hour |



ADHESIVES

TENAX SOLID COLOURMATCH

Thixotropic knife-grade mastic with high viscosity for gluing and grouting of Marble, Onyx and Stone in horizontal and vertical. Excellent adhesion on Marble, Stone and Engineered Stone. Excellent reactivity at low temperatures. Contains low quantities of VOC.

PIECES PER BOX 6

| SIZE | COLOUR | CODE |
|------|---------------------|-------------|
| 1L | Pure White | TNX1141S1.0 |
| 1L | Snow | TNX2141S1.0 |
| 1L | Desert Limestone | TNX2200S1.0 |
| 1L | Latte | TNX2350S1.0 |
| 1L | Cashmere | TNX2370S1.0 |
| 1L | Champagne Limestone | TNX2400S1.0 |
| 1L | Osprey | TNX3141S1.0 |
| 1L | Mink | TNX4350S1.0 |
| 1L | Ice Snow | TNX9141S1.0 |
| 1L | Almond Rocca | TNX9241S1.0 |



| | |
|-----------------------------------|-----------|
| Ratio of mastic + hardener | 100 + 2/3 |
| Gel time (in bulk at 25°) | 4-5 min |
| Tacky free (in thin layer at 25°) | 25-30 min |

TENAX SOLID BEIGE

Thixotropic knife-grade mastic with high viscosity for gluing and grouting of Marble, Onyx and Stone in horizontal and vertical. Excellent adhesion on Marble, Stone and Engineered Stone. Excellent reactivity at low temperatures. Contains low quantities of VOC.

PIECES PER BOX 6

| SIZE | COLOUR | CODE |
|------|--------|------------|
| 1L | Beige | TNXSOLS1.0 |

| | |
|-----------------------------------|-----------|
| Ratio of mastic + hardener | 100 + 2/3 |
| Gel time (in bulk at 25°) | 4-5 min |
| Tacky free (in thin layer at 25°) | 25-30 min |



TENAX LIQUID TRANSPARENT

Liquid mastic with medium viscosity suitable for gluing and grouting of Marble, Onyx and Stone in horizontal. Excellent adhesion on Marble and Stone. Good reactivity at low temperatures. Contains low quantities of VOC.

PIECES PER BOX 6

| SIZE | COLOUR | CODE |
|------|-------------|-----------|
| 1L | Transparent | TNXTRL1.0 |

| | |
|-----------------------------------|-----------|
| Ratio of mastic + hardener | 100 + 2/3 |
| Gel time (in bulk at 25°) | 3-4 min |
| Tacky free (in thin layer at 25°) | 15-20 min |



TENAX TRANSPARENT SOLID

Amber coloured transparent adhesive paste used for gluing and repairing Stone. Thixotropic knife-grade mastic with high viscosity for gluing and grouting of Marble, Onyx and Stone in vertical.

PIECES PER BOX 1L - 6, 4L - 4

| SIZE | COLOUR | CODE |
|------|-------------|------------|
| 1L | Transparent | TNXTRS1.0 |
| 4L | Transparent | TNXTRS4.0 |
| 17L | Transparent | TNXTRS17.0 |

| | |
|-----------------------------------|-----------|
| Ratio of mastic + hardener | 100 + 2/3 |
| Gel time (in bulk at 25°) | 3-4 min |
| Tacky free (in thin layer at 25°) | 15-20 min |



TENAX TITANIUM VINYLESTER

Tenax Titanium has been developed with the latest Vinyl Ester technology. Titanium is ideal for seaming, laminations, miter cuts, chip repair on all Granite, Marbles, Quartz and Quartzite materials. Titanium is superb on white and light colored marble, Quartz and Quartzite materials. Takes color very well for darker stones.

PIECES PER BOX 12

| SIZE | COLOUR | CODE |
|------|-------------|--------------|
| 1L | Transparent | TNXTITANS1.0 |

| | |
|-----------------------------------|-----------|
| Ratio of mastic + hardener | 100 + 2/3 |
| Gel time (in bulk at 25°) | 4-6 min |
| Tacky free (in thin layer at 25°) | 18-20 min |



TENAX UNIVERSAL COLOURS

Universal colour pastes for polyester resin and epoxy systems.

- Easy to mix
- Universal colouring

| COLOUR | SIZE | CODE |
|--------|-------|---------------|
| Black | 75ml | TNXUNIBLA.075 |
| Black | 300ml | TNXUNIBLA.300 |
| Blue | 75ml | TNXUNIBLU.075 |
| Brown | 75ml | TNXUNIBRO.075 |
| Green | 75ml | TNXUNIGRE.075 |
| Red | 75ml | TNXUNIRED.075 |
| White | 75ml | TNXUNIWHI.075 |
| White | 300ml | TNXUNIWHI.300 |
| Yellow | 75ml | TNXUNIYEL.075 |



TENAX UNIVERSAL COLOURS KIT

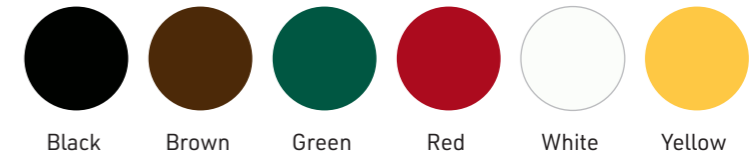
Universal colour pastes for polyester resin and epoxy systems.

- Easy to mix
- Universal colouring
- Available individually or in a set: Black, Brown, White, Yellow, Red and Green

| COLOUR | CODE |
|----------|------------|
| Assorted | TNXUNICOL6 |



COLOUR CHART



TENAX HARDENER FOR POLYESTER

Hardener paste to be used together with pre-coloured polyester resin adhesive.

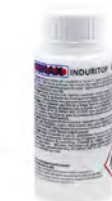
| SIZE | CODE |
|------|-------------|
| 45g | TNXHARD.45 |
| 180g | TNXHARD.180 |



TENAX CRYSTAL LIQUID HARDENER

Hardener liquid to be used together with Marble Super Transparent adhesive.

| SIZE | CODE |
|------|--------------|
| 1L | TNXHCRYL0.50 |



ADHESIVES

TENAX DOMO 10

Epoxy bi-component glue is extra strong, in thixotropic paste. Suitable for gluing and joining Marble, Granite and other Natural Stone. Features high adhesion, weather resistance and can be applied to wet surfaces.

PIECES PER BOX 3

| SIZE | COLOUR | CODE |
|------|-------------|-----------|
| 1L | Transparent | TNXDOM2.0 |

| | |
|-----------------------------------|-------------------|
| Ratio of mastic + hardener | 1 + 1 |
| Gel time (in bulk at 25°) | Approx. 2.5 hours |
| Tacky free (in thin layer at 25°) | Approx 4 hours |



TENAX EPOXY GEL

Epoxy bi-component glue, in thixotropic transparent paste. Suitable for gluing and joining Marble, Granite and other Natural Stone. Recommended for outdoor application as it features weather resistance and excellent adhesion.

PIECES PER BOX 3

| SIZE | COLOUR | CODE |
|------|--------|-------------|
| 1L | | TNxEPOXYGEL |

| | |
|-----------------------------------|---------|
| Ratio of mastic + hardener | 2 + 1 |
| Gel time (in bulk at 25°) | 5-7 min |
| Tacky free (in thin layer at 25°) | 70 min |



TENAX EPOXYGRES

Extra strong solid epoxy glue. For use on Neolith, Dekton and other Sintered Stone Surfaces. Features a high mechanical strength, weather resistance and can be applied to damp surfaces.

PIECES PER BOX 3

| SIZE | COLOUR | CODE |
|------|--------|--------------|
| 1L | | TNXEPOXYGRES |

| | |
|-----------------------------------|-------------------|
| Ratio of mastic + hardener | 1 + 1 |
| Gel time (in bulk at 25°) | Approx. 2.5 hours |
| Tacky free (in thin layer at 25°) | Approx 4 hours |



TENAX RIVO 15

Epoxy bi-component glue, in thixotropic paste. Suitable for gluing and join Marble, Granite and other Natural Stone with very good adhesion. Recommended for metal-stones, concrete-metal, ceramic-stone, stone-honeycomb panel.

| SIZE | COLOUR | CODE |
|-------|--------|-----------|
| 500ml | | TNXRIVO15 |

| | |
|-----------------------------------|-----------------|
| Ratio of mastic + hardener | 1 + 1 |
| Gel time (in bulk at 25°) | 15-20 min |
| Tacky free (in thin layer at 25°) | Approx. 2 hours |



SURFACE EMBELLISHMENT

TENAX AGER

Wet look colour enhancer. Water and oil resistant suitable for Marble, Travertine, Granite and Engineered Stone. No yellowing to sunlight, no surface films and anti-graffiti. Excellent water/oil repellent properties.

PIECES PER BOX 12

| SIZE | COLOUR | CODE |
|------|-------------|------------|
| 1L | Transparent | TNXAGER1.0 |



TENAX GEAR

Colour enhancing penetrating sealer. Water and oil resistant suitable for Marble, Travertine, Granite and Engineered Stone. Food safe, ideal for kitchens. Features a wet look and does not change colour with UV.

PIECES PER BOX 12

| SIZE | COLOUR | CODE |
|------|-------------|------------|
| 1L | Transparent | TNXGEAR1.0 |



TENAX HYDREX

Hydrex is a penetrating sealer (water and oil proof) for polished marbles like: Carrara, Thassos, Trani, Botticino, Marfil and similar stones. Does not change the colour of the stone. Remains permeable to vapours letting materials breath and keeping their characteristics unchanged.

PIECES PER BOX 12

| SIZE | COLOUR | CODE |
|------|-------------|-----------|
| 1L | Transparent | TNXHYD1.0 |



TENAX LIQUID WAX

Highly concentrated liquid wax designed to increase the brilliance of glossy surfaces. Features a strong penetration and is very quick to dry.

PIECES PER BOX 12

| SIZE | COLOUR | CODE |
|------|-------------|-------------|
| 1L | Transparent | TNXLIQWX1.0 |



SURFACE EMBELLISHMENT

TENAX NERO PLUS

Brightens black granites Black Liquid wax for darkening and increasing polish on black granite. Darkens black granites

PIECES PER BOX 12

| SIZE | COLOUR | CODE |
|------|-------------|-------------|
| 1L | Transparent | TNXNEROPLUS |



TENAX SOLID WAX

Pre-coloured adhesive paste used for gluing and repairing Engineered Stone. Thixotropic knife-grade mastic with high viscosity for gluing and grouting of Marble, Onyx and Stone in horizontal and vertical. Excellent for Caesarstone. Excellent reactivity at low temperatures and contains low quantities of VOC.

PIECES PER BOX 12

| SIZE | COLOUR | CODE |
|------|-------------|-------------|
| 1L | Transparent | TNXSOLWX1.0 |



TENAX UNI BLACK 2

Black coloured liquid wax designed to increase black effect on polished Granite without enhancing gloss. Can be applied manually or with waxing machine. Restores blackness on worn material.

PIECES PER BOX 12

| SIZE | COLOUR | CODE |
|------|--------|--------------|
| 1L | Black | TNXUNIBLACK2 |



TENAX JET SPRAY

Autopolish varnish to grant polished effect to smooth or raw Marble, Granite, Onyx and Engineered Stone. Creates a glossy film on the surface. Internal use only and not suitable for floors.

PIECES PER BOX 12

| SIZE | COLOUR | CODE |
|-------|-------------|------------|
| 500ml | Transparent | TNXJTSP0.5 |



Lithofin®



Original Lithofin Factory © 1953

LITHOFIN'S 70TH ANNIVERSARY!

GERMAN QUALITY PROVEN FOR OVER 70 YEARS

COMBINING THE LATEST TECHNOLOGY AND MATERIALS CREATING THE BEST CARE PRODUCTS FOR YOUR PRECIOUS SURFACES

Lithofin products were first developed by Glaubrecht Stingel in Stuttgart, Germany in 1953. Today, Lithofin is expertly guided by grandson Garvin Stingel developing Lithofin into a worldwide market leader.

Celebrating 70 years, Lithofin's standard applies to the product quality on the one hand, and to the service quality on the other. The satisfied customer is at the heart of all Lithofin's activities.

Today, Lithofin boasts a full range of specialised cleaners, sealers, problem solvers and maintenance products for natural and engineered stone, ceramic and porcelain tiles, compact sintered surfaces and external pavers used by both professionals and homeowners.

To see the full Lithofin range or to locate your nearest reseller, visit:

www.lithofin.com.au



Lithofin MN Power-Clean

DISCOVER THE FULL LITHOFIN RANGE OF PROFESSIONAL STONE & TILE CARE PRODUCTS TODAY!

CLEANING, PROTECTION, MAINTENANCE

LITHOFIN WAX-OFF

Wax and Oil Remover.
Product type: solvent based cleaner

Removes layers of wax, silicone, sealants, tar, oil stains, lacquer and glue. Deposits are dissolved and can then be washed off with water.

- Ready-to-use
- Deep acting
- Leaves no residues

| SIZE | CODE |
|------|------------|
| 1L | LFWAXOFF01 |

| COVERAGE | STORAGE |
|-----------------------------------|----------------------------------|
| Approx. 7 to 15 m ² /L | Closed, cool, dry, up to 4 years |

| | |
|----------------|---------|
| PIECES PER BOX | 1L - 10 |
|----------------|---------|



LITHOFIN OIL-EX

Oil-Stain Remover.
Product type: solvent based cleaner

Removes stubborn grease and deep oil staining from natural and engineered stone. Also for removal of discoloration on peripheral zones in case of silicon joints and for removal of stubborn wax.

- Gel allows longer working times
- Very economical
- Easy-to-apply gel

| SIZE | CODE |
|--------------|------------|
| 250ml - tube | LFOILEX250 |

| COVERAGE | STORAGE |
|----------------------------------|-----------------------------|
| Approx. 0.5 m ² /tube | Closed, cool, up to 2 years |

| | |
|----------------|------------|
| PIECES PER BOX | 250ml - 10 |
|----------------|------------|



LITHOFIN RUST-EX

Non-Acidic Rust Stain Remover.
Product type: mildly alkaline cleaner

Removes rust stains and discoloration from tiles, natural and concrete stone.

- Can be used on single spots
- Fast acting
- For interior and exterior use

| SIZE | CODE |
|-------|-------------|
| 500ml | LFRUSTEX0.5 |

| COVERAGE | STORAGE |
|------------------------------|----------------------------------|
| Approx. 10 m ² /L | Closed, cool, dark, up to 1 year |

| | |
|----------------|------------|
| PIECES PER BOX | 250ml - 10 |
|----------------|------------|



LITHOFIN RESIN-EX

Special Stripper Gel.
Product type: acid and solvent based cleaner

Removes all residues of epoxy-grout and similar blemishes such as resins, sealants, oil and grease deposits, paint (graffiti), plastic residues, etc. Suitable for ceramics and all rough natural and artificial stones.

- Gel-like, easy to use
- Does not leave streaks
- Highly active

| SIZE | CODE |
|------|-------------|
| 1 L | LFRESINEX01 |
| 5 L | LFRESINEX05 |

| COVERAGE | STORAGE |
|----------------------------|-----------------------------|
| Approx. 5m ² /L | Closed, cool, up to 2 years |

| | |
|----------------|-----------------|
| PIECES PER BOX | 1L - 10, 5L - 2 |
|----------------|-----------------|



Lithofin®

LITHOFIN ALGEX

Special Cleaner for outdoor areas.
Product type: mildly alkaline special cleaner

Removes common dirt and slippery green deposits from terraces, steps, paths, walls, etc. Quarry tiles, stone, concrete, plaster and wood are thoroughly cleaned and brightened up.

- Concentrate - 1 L for up to 200 m²
- Self acting and preventive
- Easy and safe to use

| SIZE | CODE |
|------|-----------|
| 1L | LFALGEX01 |

| COVERAGE | STORAGE |
|-------------------------------------|-----------------------------|
| Approx. 30 to 200 m ² /L | Closed, cool, up to 5 years |

| | |
|----------------|---------|
| PIECES PER BOX | 1L - 10 |
|----------------|---------|



LITHOFIN STAINSTOP >W<

Water Based Special Impregrator.
Product type: water based protective impregrator

This solvent free impregrator effectively protects surfaces against the penetration of oil, grease, dirt and water and prevents staining. Facilitates care on all absorbent stain sensitive surfaces.

- Invisible, matte
- Effective for many years
- Odourless

| SIZE | CODE |
|--------------|------------|
| 1L | LFSTNSTW01 |
| 5L | LFSTNSTW05 |
| 10L | LFSTNSTW10 |
| 20L (2x 10L) | LFSTNSTW20 |

| COVERAGE | STORAGE |
|------------------------------------|-----------------------------|
| Approx. 10 to 20 m ² /L | Closed, cool, up to 2 years |

| | |
|----------------|-----------------------------------|
| PIECES PER BOX | 1L - 10, 5L - 2, 10L - 2, 20L - 1 |
|----------------|-----------------------------------|



LITHOFIN STAINSTOP PLUS

Impregrator plus colour intensifier.
Product type: solvent based protective impregrator

Makes absorbent stone surfaces more vivid in colour and at the same time makes the surface water and oil repellent thereby largely preventing staining.

- No gloss
- Long-term effect
- Breathable

| SIZE | CODE |
|--------------|---------------|
| 1L | LFSTNSTPLUS01 |
| 5L | LFSTNSTPLUS05 |
| 10L | LFSTNSTPLUS10 |
| 20L (2x 10L) | LFSTNSTPLUS20 |

| COVERAGE | STORAGE |
|-----------------------------------|----------------------------------|
| Approx. 6 to 15 m ² /L | Closed, cool, dry, up to 2 years |

| | |
|----------------|-----------------------------------|
| PIECES PER BOX | 1L - 10, 5L - 2, 10L - 2, 20L - 1 |
|----------------|-----------------------------------|



CLEANING, PROTECTION, MAINTENANCE

LITHOFIN KF CEMENT RESIDUE REMOVER

Product type: acidic cleaner

For interior and exterior use on ceramic surfaces such as fully vitrified tiles, quarry tiles, clay pavers, etc. Effortlessly removes cement and mortar residues, rust, lime, efflorescence and other hardened dirt layers.

- Concentrate - very high yield
- Acts rapidly
- Hardly any odour

| SIZE | CODE |
|------|----------|
| 1L | LFKCRR01 |
| 5L | LFKCRR05 |

| COVERAGE | STORAGE |
|------------------------------------|-----------------------------|
| Approx. 20 to 30 m ² /L | Closed, cool, up to 4 years |

| | |
|----------------|-----------------|
| PIECES PER BOX | 1L - 10, 5L - 2 |
|----------------|-----------------|



LITHOFIN KF INTENSIVE CLEANER

Product type: alkaline cleaner

For occasional thorough cleaning or for regular cleaning of floors subjected to heavy wear. Removes stubborn dirt, oil and grease. Suitable for all ceramic finishes.

- Concentrate - high yield
- Extra strong
- Highly active

| SIZE | CODE |
|------|-------------|
| 1L | LFKINTCLN01 |
| 5L | LFKINTCLN05 |

| COVERAGE | STORAGE |
|--|-----------------------------|
| 10 to 15 m ² /L as base cleaner, up to 100 m ² diluted | Closed, cool, up to 5 years |

| | |
|----------------|-----------------|
| PIECES PER BOX | 1L - 10, 5L - 2 |
|----------------|-----------------|



LITHOFIN KF STAIN-STOP

Product type: water based protective impregnator

For initial treatment of new floors with polished and sensitive surfaces. Prevents penetration of water and oil, protects against stains and dirt, and makes maintenance easier.

- Ideal for polished porcelain tiles
- Ready for use
- Odourless and invisible

| SIZE | CODE |
|------|------------|
| 1L | LFKSTNST01 |

| COVERAGE | STORAGE |
|----------------------------|--|
| Up to 50 m ² /L | Closed, cool, frostfree, up to 3 years |

| | |
|----------------|---------|
| PIECES PER BOX | 1L - 10 |
|----------------|---------|



LITHOFIN KF VITRA-CLEAN

Product type: mildly alkaline maintenance product

For continuous care of floors subjected to normal levels of wear. Cleans and maintains rough and polished surfaces streak-free making them even more attractive.

- Concentrate - very high yield
- Also for polished surfaces
- Does not form layers

| SIZE | CODE |
|------|-------------|
| 1L | LFKVITCLN01 |

| COVERAGE | STORAGE |
|---|-----------------------------|
| Use one squirt (ca. 20 ml) per 10 L bucket of water | Closed, cool, up to 5 years |

| | |
|----------------|---------|
| PIECES PER BOX | 1L - 10 |
|----------------|---------|



Lithofin®

LITHOFIN KF ACTIVE-CLEAN

Product type: acidic cleaner

For the regular maintenance of bathrooms and toilet areas, promoting shine and hygienic cleanliness. Removes lime scale, rust, grease deposits and soap scum from baths and showers. Cleans chrome, ceramics, stainless steel etc. Not for acid-sensitive surfaces.

- Concentrate - very high yield
- Self-acting
- Pleasant odour

| | |
|----------------|---------|
| PIECES PER BOX | 1L - 10 |
|----------------|---------|

| SIZE | CODE |
|------|-------------|
| 1L | LFKACTCLN01 |

| COVERAGE | STORAGE |
|-----------------------------|-----------------------------|
| Up to 100 m ² /L | Closed, cool, up to 5 years |



LITHOFIN KF MILDEW-AWAY

Product type: chlorine based cleaner

Removes black spots, mould, fungus, algae and other organic discolorations in sanitary areas. Effective on tiles, silicon and cement joints, on plaster, stone and masonry.

- Ready-to-use
- Easy to use
- Acts rapidly

| | |
|----------------|------------|
| PIECES PER BOX | 500ml - 10 |
|----------------|------------|

| SIZE | CODE |
|--------|--------------|
| 500 ml | LFKMILDAW0.5 |

| COVERAGE | STORAGE |
|-----------------------------|----------------------------------|
| Approx. 6 m ² /L | Closed, cool, dark, up to 1 year |



LITHOFIN KF GROUT PROTECTOR

Product type: water based protective impregnator

For grout in ceramic surfaces. Protects against greasy dirt and spots in kitchen and bathroom, and makes maintenance easier.

- Ready for use
- Invisible
- Long-term effect

| | |
|----------------|------------|
| PIECES PER BOX | 500ml - 10 |
|----------------|------------|

| SIZE | CODE |
|--------|------------|
| 500 ml | LFKGPRO0.5 |

| COVERAGE | STORAGE |
|--------------------------------|--|
| Up to 5 m ² /500 ml | Closed, cool, frostfree, up to 2 years |



CLEANING, PROTECTION, MAINTENANCE

LITHOFIN MN POWER-CLEAN

Product type: alkaline cleaner

For thorough cleaning in case of severe general and greasy dirt, residues of floor care products, etc. For regular cleaning of high-traffic and outdoor areas such as shopping centres and food courts. For final cleaning of new surfaces at building sites.

- Concentrate - high yield
- Highly effective
- Low on solvents and odour

| | |
|----------------|--------------------------------------|
| PIECES PER BOX | 500ml - 10, 1L - 10, 5L - 2, 10L - 2 |
|----------------|--------------------------------------|

| SIZE | CODE |
|-------|--------------|
| 500ml | LFMPWRCLN0.5 |
| 1L | LFMPWRCLN01 |
| 5L | LFMPWRCLN05 |
| 10L | LFMPWRCLN10 |

| COVERAGE | STORAGE |
|------------------------------------|-----------------------------|
| Approx. 10 to 30 m ² /L | Closed, cool, up to 3 years |



LITHOFIN MN BUILDERS' CLEAN

Product type: acidic cleaner

Cleans Granite, Gneiss, Quartzite and other Natural and Engineered stones. Removes cement films, stubborn dirt residues, blooms, efflorescence, rust and rust discolorations. Also acts to prevent rust in hard stones containing iron. Not suitable for polished Marble, Limestone etc.

- Concentrate - high yield
- Very strong
- Prevents rust

| | |
|----------------|--------------------------|
| PIECES PER BOX | 1L - 10, 5L - 2, 10L - 2 |
|----------------|--------------------------|

| SIZE | CODE |
|------|-------------|
| 1L | LFMBLDCLN01 |
| 5L | LFMBLDCLN05 |
| 10L | LFMBLDCLN10 |

| COVERAGE | STORAGE |
|------------------------------------|-----------------------------|
| Approx. 30 to 50 m ² /L | Closed, cool, up to 5 years |



LITHOFIN MN OUTDOOR CLEANER*

Product type: chlorine based cleaner

Removes stubborn dirt deposits, mould, green deposits, and stains caused by trees from all natural and concrete surfaces. Natural stone and concrete pavers, walls, paths, etc. are immediately restored to their original finish.

- Highly effective
- Fast acting
- Acid free

| | |
|----------------|---------|
| PIECES PER BOX | 1L - 10 |
|----------------|---------|

| SIZE | CODE |
|------|-------------|
| 1L | LFMOUTCLN01 |

| COVERAGE | STORAGE |
|----------------------------|----------------------------------|
| Up to 15 m ² /L | Closed, cool, dark, up to 1 year |

* Use biocides safely. Always read the label and product information before use.



Lithofin®

LITHOFIN MN STAIN-STOP

Product type: solvent based protective impregnator

This special impregnator optimally protects absorbent, stain-sensitive Natural and Engineered Stone surfaces against staining. Largely prevents penetration of oil, grease and water and makes further maintenance easier.

- Poses no health concerns once dry
- Ready to use
- Effective for many years

| | |
|----------------|---|
| PIECES PER BOX | 500ml - 10, 1L - 10, 5L - 2, 10L - 2, 20L - 1 |
|----------------|---|

| SIZE | CODE |
|-------|-------------|
| 500ml | LFMSTNST0.5 |
| 1L | LFMSTNST01 |
| 5L | LFMSTNST05 |
| 10L | LFMSTNST10 |
| 20L | LFMSTNST20 |

| COVERAGE | STORAGE |
|-----------------------------------|----------------------------------|
| Approx. 7 to 15 m ² /L | Closed, cool, dry, up to 3 years |



LITHOFIN MN STAIN-STOP >ECO<

Product type: water based protective impregnator

This ready-to-use special impregnator is water based and nearly odourless. It has been developed specifically for absorbent limestone. The easy to apply treatment ensures the ultimate protection against water and oil stains and facilitates everyday maintenance.

- Low on odour
- For indoor and outdoor use
- Does not change the appearance

| | |
|----------------|-----------------|
| PIECES PER BOX | 1L - 10, 5L - 2 |
|----------------|-----------------|

| SIZE | CODE |
|------|-------------|
| 1L | LFMSTNSTE01 |
| 5L | LFMSTNSTE05 |

| COVERAGE | STORAGE |
|----------------------------------|--|
| Approx. 4 to 8 m ² /L | Closed, cool, frostfree, up to 3 years |



LITHOFIN MN COLOUR INTENSIFIER

Product type: solvent based protective impregnator

Improves the appearance of rough, absorbent Natural and Concrete Stone Surfaces. Enhances the colour, accentuates the structure, and makes water and dirt repellent.

- No gloss
- Can be applied several times
- Ideal for concrete slabs and pavers

| | |
|----------------|--------------------------|
| PIECES PER BOX | 1L - 10, 5L - 2, 10L - 2 |
|----------------|--------------------------|

| SIZE | CODE |
|------|-------------|
| 1L | LFMCLRINT01 |
| 5L | LFMCLRINT05 |
| 10L | LFMCLRINT10 |

| COVERAGE | STORAGE |
|-----------------------------------|----------------------------------|
| Approx. 7 to 15 m ² /L | Closed, cool, dry, up to 4 years |



CLEANING, PROTECTION, MAINTENANCE

LITHOFIN MN EASY-CARE

Product type: mildly alkaline maintenance product

Developed for continuous care of all types of stone surfaces. Cleans, enhances and maintains the surface in one action. Coarse and polished surfaces become increasingly beautiful and richer in colour and structure with regular use. Ideal for imoregnated or sealed surfaces.

- Concentrate - very high yield
- Does not form layers
- Non-bleaching

PIECES PER BOX 1L - 10, 5L - 2

| SIZE | CODE |
|------|------------|
| 1L | LFMECARE01 |
| 5L | LFMECARE05 |

| COVERAGE | STORAGE |
|---|-----------------------------|
| Use one squirt (ca. 20 ml) per 10 L bucket of water | Closed, cool, up to 5 years |



LITHOFIN MN BATHROOM CLEANER

Product type: mildly alkaline cleaner

For easy and safe cleaning of natural stone shower areas, removing soap and dirt residues.

- Ready to use: spray, wipe, done
- Acid-free
- Suitable for marble and limestone

PIECES PER BOX 500ml - 10, 1L - 10

| SIZE | CODE |
|-------|---------------|
| 500ml | LFMBATHCLN0.5 |
| 1L | LFMBATHCLN01 |

| COVERAGE | STORAGE |
|----------------------|----------------------------------|
| Approx. 50 m2/ litre | Closed, cool, dry, up to 3 years |



LITHOFIN MN POLISH (LIQUID WAX)

Product type: solvent based protective wax

For occasional freshening up and polishing of stone surfaces, provides gloss and protection. Maintains the beautiful appearance of all polished surfaces.

- Easy to polish
- For indoor use only
- Ready-to-use

PIECES PER BOX 1L - 10

| SIZE | CODE |
|------|-------------|
| 1L | LFMPOLLIQ01 |

| COVERAGE | STORAGE |
|--------------------|----------------------------------|
| Approx. 10-20 m2/L | Closed, cool, dry, up to 3 years |



Lithofin®

LITHOFIN MN POLISH (CREAM)

Product type: waterbased protective wax

For enhancing and polishing stone surfaces, provides gloss and protection. Takes care of all polished surfaces, and maintains their beautiful appearance.

- Easy to polish
- High yield
- Ready-to-use

PIECES PER BOX 150ml - 10, 500ml - 10

| SIZE | CODE |
|--------|--------------|
| 150 ml | LFMPOLCRM150 |
| 500 ml | LFMPOLCRM500 |

| COVERAGE | STORAGE |
|-----------------|----------------------------------|
| Approx. 40 m2/L | Closed, cool, dry, up to 2 years |



LITHOFIN MN EASY-CLEAN

Product type: mildly alkaline cleaner

For every-day cleaning of small stone surfaces such as kitchen benchtops, tabletops, bathroom vanity tops and wall tiles. Enhances the appearance of the stone and leaves a pleasant odour.

- Easy to polish
- High yield
- Ready-to-use

PIECES PER BOX 500ml - 10, 1L - 10

| SIZE | CODE |
|--------|-------------|
| 500 ml | LFMECLNS0.5 |
| 1L | LFMECLNR01 |



CLEANING, PROTECTION, MAINTENANCE

LITHOFIN BERO

Rust Remover and Stone Cleaner.
Product type: acidic cleaner

For permanent removal of rust and rust discoloration, especially for ferrous hard stones, and for removal of cement film, grinding dust etc.

- Concentrate
- Contains acid

PIECES PER BOX 1L - 10

| SIZE | CODE |
|------|----------|
| 1L | LFBERO01 |

| COVERAGE | STORAGE |
|----------------------------|-----------------------------|
| Up to 50 m ² /L | Closed, cool, up to 5 years |



LITHOFIN ASR

Alkaline Special Remover.
Product type: highly alkaline cleaner

For removing stubborn dirt deposits, grease, oil, wax, polymer layers, etc. Cleans and degreases ceramic tiles, stone, slabs, etc.

- Concentrate
- Highly effective

PIECES PER BOX 1L - 10, 5L - 2

| SIZE | CODE |
|------|---------|
| 1L | LFASR01 |
| 5L | LFASR05 |

| COVERAGE | STORAGE |
|-----------------------------|-----------------------------|
| Up to 100 m ² /L | Closed, cool, up to 5 years |



LITHOFIN NANOTOP

High performance Impregnator.
Product type: solvent based protective impregnator

Excellent water and oil repellence on all absorbent natural and concrete stones. Optimal protection for kitchen work tops, tables, vanity tops and similar surfaces.

- Easy and fast to apply
- Does not form layers, resistant to scratching

PIECES PER BOX 1L - 10, 5L - 2

| SIZE | CODE |
|------|-------------|
| 1L | LFNANOTOP01 |
| 5L | LFNANOTOP05 |

| COVERAGE | STORAGE |
|----------------------------|----------------------------------|
| 10 to 20 m ² /L | Closed, cool, dry, up to 2 years |



LITHOFIN FVE

Colour Enhancer extra.
Product type: solvent based protective impregnator

Fast drying impregnator for dark natural stones with polished, honed, brushed and similar surface finishes. Protects kitchen work tops and other small workpieces against water and oil stains. Intensifies the colour without altering the natural structure of the stone.

- Extreme colour intensification
- Fast drying

PIECES PER BOX 1L - 10

| SIZE | CODE |
|------|---------|
| 1L | LFFVE01 |

| COVERAGE | STORAGE |
|------------------------------------|----------------------------------|
| Approx. 20 to 40 m ² /L | Closed, cool, dry, up to 2 years |



Lithofin®

LITHOFIN PRO

Professional Impregnator.
Product type: water based protective impregnator

Protects all absorbent surfaces. Prevents oil and water borne staining and reduces the growth of mildew and algae.

- Easy to apply
- Invisible but permanent effect

PIECES PER BOX 5L - 2, 10L - 2, 20L - 1

| SIZE | CODE |
|------|---------|
| 5L | LFPRO05 |
| 10L | LFPRO10 |
| 20L | LFPRO20 |

| COVERAGE | STORAGE |
|--|--|
| Approx. 20 m ² /L on natural stone; up to 40 m ² /L on porcelain tiles | Closed, cool, dry, frost-free, approx. 12 months |



LITHOFIN MPP

Marble polishing powder.
Product type: Oxalic acid

For restoring dull areas and renewing the natural polish of calcium-containing natural stone i.e. Marble, Limestone, etc. Can be machine-polished to high gloss. Not suitable for Granite, Gneiss and similar hard stones.

- No fumes
- Based on oxalic acid

PIECES PER BOX 1L - 10

| SIZE | CODE |
|------|----------|
| 750g | LFMPP750 |

| COVERAGE | STORAGE |
|-----------------------------|----------------------------------|
| Up to 40 m ² /kg | Closed, cool, dry, up to 4 years |



LITHOFIN CARE KIT BE

For cleaning, sealing and maintaining natural stone kitchen benchtops, tables and vanities.

PIECES PER BOX 5

| SIZE | CODE |
|------------|---------|
| 3 products | LFKITBE |

- Contains:
- Lithofin MN Easy-Clean 500ml spray
 - Lithofin MN Stain-Stop 250ml
 - Lithofin MN Power-Clean 500ml.



LITHOFIN CARE KIT COMPACT

For everyday cleaning of all stone kitchen benchtops, tables, vanities and wall tiles. Hygienically cleans the surface, streak free finish, easy-to-use, conditions stone surfaces and preserves applied impregnating's sealers.

PIECES PER BOX 10

| SIZE | CODE |
|------------|----------|
| 2 products | LFKITTEC |

- Contains:
- 500 ml Lithofin MN Easy-Clean
 - 1 litre Lithofin MN Easy-Clean refill
 - Microfiber cleaning cloth



LITHOFIN CARE KIT PE

For cleaning, polishing and maintaining polished natural stone kitchen benchtops, tables and vanities.

PIECES PER BOX 5

| SIZE | CODE |
|------------|---------|
| 3 products | LFKITPE |

- Contains:
- Lithofin MN Easy-Clean 500ml spray
 - Lithofin MN Power-Clean 500ml
 - Lithofin MN Polish Cream 150ml
 - Microfiber cleaning cloth



CLEANING, PROTECTION, MAINTENANCE

GREEN BY LITHOFIN DAILY CARE CLEANER

A cleaner concentrate formulated with natural, plant-based ingredients. Suitable for all floors and leaves a streak-free finish. Green by Lithofin Daily Care Cleaner is suitable for use on all water-resistant floor surfaces including fine Stoneware, Ceramics, Glazed Tiles, Glass Mosaic as well as polished surfaces.

PIECES PER BOX 1L - 10

| SIZE | CODE |
|------|------------|
| 1L | LFGDCCLN01 |



GREEN BY LITHOFIN DEEP CLEANER

An ideal product for powerful yet sustainable general cleaning, both indoors and outdoors. It can be used on all waterproof floor surfaces, stone and tiles for thorough cleaning. Suitable for removing of common dirt as well as greasy/oily staining. Also suitable for removing floor care residues and water-based sealants.

PIECES PER BOX 1L - 10

| SIZE | CODE |
|------|--------------|
| 1L | LFGDEEPCLN01 |



GREEN BY LITHOFIN MULTI SURFACE CLEANER

Suitable for tiles, stone and all water-resistant surfaces throughout the house. Green by Lithofin Multi Surface Cleaner removes dirt and leaves a streak-free finish on natural stone surfaces, ceramics, plastic, high-gloss kitchen fronts, stainless steel, faucets, mirrors, glass, windshields, polished and unpolished surfaces.

PIECES PER BOX 500ml - 10

| SIZE | CODE |
|-------|-------------|
| 500ml | LFGMSCLN0.5 |



GREEN BY LITHOFIN SANITARY CLEANER

Green by Lithofin Sanitary Cleaner is formulated with natural, organic acids and removes limescale stains, soap residues and lime deposits in the bathroom and shower. Green by Lithofin Sanitary Cleaner is ideal for cleaning acid-resistant surfaces such as shower frames and walls made of plastic, stainless steel and glass, for shower curtains, ceramic tiles and fittings.

PIECES PER BOX 500ml - 10

| SIZE | CODE |
|-------|---------------|
| 500ml | LFGSANICLN0.5 |



Lithofin®



LITHOFIN NANOTOP IS THE PROFESSIONAL CHOICE

HIGH PERFORMANCE PROTECTOR FOR NATURAL STONE

Lithofin NanoTOP is the ultimate solvent based, high performance impregnating sealer for all types of natural stone and concrete surfaces. Specifically formulated to provide optimal protection for kitchen benchtops, tables, vanities, and other natural stone surfaces, this impregnating sealer ensures excellent water and oil resistance and is scratch resistant.

With its easy and fast application, NanoTOP is the perfect sealer for both homeowners and professionals.

NanoTOP does not form layers, ensuring unbeatable protection against water damage, oil damage and general wear and tear.

So why wait? Protect your natural stone surfaces today with Lithofin's most trusted high performance, professional impregnating sealer.

To view the full Lithofin range visit: www.lithofin.com.au



DISCOVER THE FULL LITHOFIN RANGE OF PROFESSIONAL STONE & TILE CARE PRODUCTS TODAY!

RESTORATION

STONELUX 2.0 PROFESSIONAL KIT

The StoneLux 2.0 Professional kit contains all the components to effect fast high-quality repair work – from preparing and repairing the damage to finishing the repaired surface. The new comprehensive StoneLux 2.0 Professional kit is designed for repairs on a range of surfaces including Natural Stone, Quartz Composite, Stoneware, Ceramic and Tiles.

The kit includes 10 repair colors, new ceramic repair pastes with 14 new colour shades for advanced surfaces, 2 new 30ml filler materials, 4 new fine grinding pads, 2 new primer pens, the Blue:Tron Powerlight and more.

As an optional extra, the Proxxon Fine Drill Grinder is used to prepare the surface for restoration. Includes the Proxxon Fine Drill Grinder and the Proxxon Fine Drill Charger. Fits into the StoneLux 2.0 Professional kit carry case.



| OPTION | CODE |
|--------------------------------------|---------|
| Professional Kit | SL2.PRO |
| Proxxon Fine Drill Grinder & Charger | SL2.RT |

*Optional extra, not included in SL2.PRO

STONELUX 2.0 COMPACC KIT

The StoneLux 2.0 Compacc kit contains all the basic components to start repair work – from preparing and repairing the damage to finishing the repaired surface. The new StoneLux 2.0 Compacc kit is designed for repairs on a range of surfaces including Natural Stone, Quartz Composite, Stoneware, Ceramic and Tiles.

The kit includes 4 repair colors, new ceramic repair pastes, 2 new fine grinding pads, 2 new primer pens, the Blue:Tron Powerlight and more.



| CODE |
|---------|
| SL2.COM |

STONELUX 2.0 CERAMICS KIT

The StoneLux 2.0 Ceramics kit is a supplementary kit specifically for the repair of quartz and ceramic surfaces. The new comprehensive StoneLux 2.0 Ceramic kit includes ceramic repair material that is designed to replicate the colours and textures found in Quartz and Ceramic surfaces.

The kit includes 13 new ceramic repair pastes, 1 sanitary ceramic paste, 1 filler material, 1 opaquer material, 1 separator pen for stamping technique and more.



| CODE |
|---------|
| SL2.CER |

THE COMPLETE RANGE OF STONELUX 2.0 REPLACEMENT COMPONENTS ARE AVAILABLE.

CONTACT YOUR LOCAL CDK STONE BRANCH OR YOUR TOOLS & EQUIPMENT SALES REPRESENTATIVE FOR MORE INFORMATION.



ADI CNC

SECTION 4

| | |
|-------------------------------------|----|
| DIAMOND DRILLS | 77 |
| MILLING FINGERS & ROUTER TIPS | 78 |
| DRAINBOARD TOOLS | 80 |
| DRAINBOARD GROOVING | 84 |
| TRADITIONAL PRE-CUTTING TOOLS | 85 |
| NINJA BLADES | 86 |
| ZERO CHIPPING SEAM SOLUTIONS | 88 |
| ABOUT ADI CNC TOOLS | 89 |
| SLAB PROFILES | 90 |

ADI CNC

SECTION 4

| | |
|---|-----|
| TOPLINE PROFILE TOOLS | 94 |
| FASTLINE PROFILE TOOLS | 98 |
| TWISTLINE PROFILE TOOLS | 105 |
| MICRONLINE PROFILE TOOLS | 111 |
| NANOLINE PROFILE TOOLS | 116 |
| UCSLINE PROFILE TOOLS | 117 |
| TOOL HOLDERS, ADAPTORS & CONSUMABLES | 121 |
| VACUUM CUPS | 123 |



DIAMOND DRILLS

ADI THIN WALL CORE DRILLS FOR CNC MACHINES

Features 1mm wall thickness and special bond for high-speed drilling of Granite and Engineered Stone.

| SIZE | CODE | DRILLING DEPTH (MM) | FITTING |
|------|----------|---------------------|----------|
| 20 | PG081020 | 55 | 1/2" GAS |
| 25 | PG081025 | 55 | 1/2" GAS |
| 30 | PG081030 | 55 | 1/2" GAS |
| 35 | PG081035 | 55 | 1/2" GAS |
| 38 | PG081038 | 55 | 1/2" GAS |
| 40 | PG081040 | 55 | 1/2" GAS |

| OPERATING PARAMETERS | | |
|----------------------|------|-----------|
| SIZE (MM) | RPM | FEED RATE |
| 20 | 3000 | 30-40 |
| 25 | 2600 | 30-40 |
| 30 | 2400 | 30-50 |
| 35 | 2200 | 50 |
| 38 | 2200 | 50 |
| 40 | 2200 | 50 |



CNC / DIAMOND DRILLS

ADI UCS THIN WALL CORE DRILLS FOR CNC MACHINES

Features 1mm wall thickness and special bond for drilling into Neolith and other UCS Material.

| SIZE | CODE | DRILLING DEPTH (MM) | FITTING |
|------|---------|---------------------|----------|
| 25 | MT81125 | 26 | 1/2" GAS |
| 35 | MT81135 | 26 | 1/2" GAS |

| OPERATING PARAMETERS | | |
|----------------------|-----------|--------------|
| SIZE (MM) | RPM | FEED RATE |
| 25 | 2400-2200 | 15-30 mm/min |
| 35 | 1800-2200 | 15-30 mm/min |



MILLING FINGERS & ROUTER TIPS

ADI SOLUTION MILLING FINGER

New versatile milling finger for Granite and Engineered Stone.

| | | GRANITE | |
|--------|---------|------------------|-----------|
| SIZE | CODE | RPM | FEED (MM) |
| Ø22x35 | PB22620 | 4500-4800 | 200-300 |
| Ø24x48 | PB22623 | 4300-4500 | 200-300 |
| | | ENGINEERED STONE | |
| Ø22x35 | PB22620 | 6000-7000 | 400-600 |
| Ø24x48 | PB22623 | 5500-6500 | 300-400 |



ADI HYDRO MILLING FINGER

New high performance milling finger for Granite and Engineered Stone.

| | | GRANITE | |
|--------|---------|------------------|-----------|
| SIZE | CODE | RPM | FEED (MM) |
| Ø22x35 | PB22618 | 4500-4800 | 200-300 |
| | | ENGINEERED STONE | |
| Ø22x35 | PB22618 | 6000-7000 | 400-600 |



ADI MAGNIFICA MILLING FINGER

Universal milling finger for all types of material including Quartzites.

| SIZE | CODE | RPM | FEED (MM) |
|--------|---------|------|-----------|
| Ø22x35 | PB22619 | 4500 | 200-400 |
| Ø24x48 | PB22624 | 4300 | 200-300 |



ADI UCS MILLING FINGER

Milling finger specifically designed for UCS material.

| SIZE | CODE | RPM | FEED (MM) |
|--------|---------|-----------|-----------|
| Ø20x15 | MT74022 | 4000-4500 | 150-250 |
| Ø22x25 | MT74028 | 4000-4500 | 150-250 |
| Ø22x35 | MT74030 | 4500-4800 | 250-300 |



ADI PYTHON MILLING FINGER

Easy cutting milling finger for hard Granite.

| SIZE | CODE | RPM | FEED (MM) |
|--------|---------|------|-----------|
| Ø20x48 | PB22426 | 4500 | 250-300 |



ADI KING EAGLE MILLING FINGER

Premium quality milling finger for Granite and Engineered Stone.

| | | GRANITE | |
|--------|---------|------------------|-----------|
| SIZE | CODE | RPM | FEED (MM) |
| Ø22x35 | PB22483 | 4500 | 250-300 |
| Ø24x48 | PB22494 | 4400 | 250-300 |
| | | ENGINEERED STONE | |
| Ø22x35 | PB22483 | 5500-8000 | 350-600 |
| Ø24x48 | PB22494 | 5500-8000 | 350-600 |



ADI MARBLE MILLING FINGER

Vacuum brazed milling finger designed for all types of Marble.

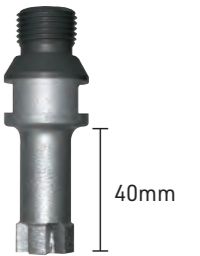
| SIZE | CODE | RPM | FEED (MM) |
|--------|---------|------|-----------|
| Ø16x45 | PB52005 | 5500 | 400-600 |
| Ø20x65 | PB52006 | 5200 | 300-450 |



ADI INCREMENTAL ROUTING BIT

Incremental routing bit for Granite and Engineered Stone. Maximum stock removal 8mm.

| SIZE | CODE | RPM | FEED (MM) |
|--------|---------|------|-----------|
| Ø20x10 | PB22303 | 5000 | 300-500 |



ADI UHS INCREMENTAL CUTTING TOOL

Incremental cutting / milling finger for Granite and Engineered Stone. Maximum stock removal 3mm.

| SIZE | CODE | RPM | FEED (MM) |
|--------|---------|------------|-----------|
| Ø6x15 | PB27505 | 7000-10000 | 150-250 |
| Ø8x15 | PB27394 | 7000-10000 | 150-250 |
| Ø10x20 | PB27395 | 7000-10000 | 150-250 |
| Ø12x20 | PB27383 | 7000-10000 | 150-250 |



DIAREX ROUTER TIPS

Routing all stone types.

To be used with ADI Diamond Router Mandrel (DRM20ADIR).

| SIZE | CODE | RPM | FEED (MM) |
|--------|-----------|-----------|-----------|
| Ø20x15 | DRT20DRXM | 7000-7500 | 700-1000 |
| Ø20x15 | DRT20DRXQ | 7000-7500 | 700-1000 |
| Ø20x15 | DRT20DRXT | 7000-7500 | 700-1000 |



DRAINBOARD TOOLS

SEQUENCE FOR USING DRAINBOARD TOOLS GRANITE AND ENGINEERED STONE

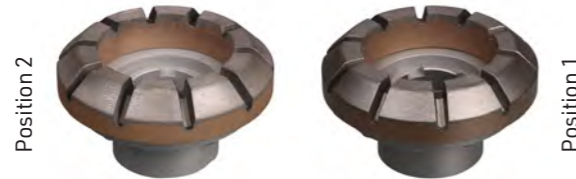
STEP ONE

STUBBING WHEEL



STEP TWO

INCLINED METAL BOND WHEELS



STEP THREE

GRANITE
5 INCLINED POLISHING WHEELS



ENGINEERED STONE
3 STRAIGHT POLISHING WHEELS



5 INCLINED POLISHING WHEELS



STEP FOUR

BUFFER



Available in both 45 degree and 60 degree angles.

MANAGE → CAPTURE → CREATE → PRODUCE

SOFTWARE

The CDK Stone exclusive range of stone processing software and automations tools allows you to streamline and manage your equipment more effectively. Our software offering specialises in drafting and templating, inventory, design, and construction.

Learn how to simplify and manage every step of the process with effective stone processing software from CDK Stone.

Learn More about our range here www.cdkstone.com.au/software

MANAGE

Discover end to end management with StonePro Software. From designs & construction to stock control, quotes, invoicing & production management.

CAPTURE

- Record key specs on the LT2D3D tablet
- Capture Photographs, dimensions and edge profiles on site
- Create job files and estimates in DXF/DWG, PDF & CSV & send straight to the office via email
- Sign off on jobs from the LT2D3D tablet onsite with your customer
- Manage your images and drawings with the advance StonePro Software

CREATE

- Turn your DXF file into a single SEKON CAD drawing
- Create the SEKON drawings inside StonePro Software
- Completely digitise book matching process
- Reduce human error

PRODUCE

- Automatically program each machine using SEKON Software
- Enhance machine production and run time
- Program the machine while its running
- Manage all processes in the factory and plan production flow more efficiently using StonePro Software

DRAINBOARD TOOLS

ADI STUBBING WHEEL Ø91 X 30 X 7MM

For drain board milling and thickness calibration.

| SIZE (MM) | CODE | RPM | FEED SPEED (MM/MIN) | STOCK REMOVAL (MM) |
|--------------|---------|-----------|---------------------|--------------------|
| Ø91 x 30 x 7 | PB29035 | 4500-4800 | 400-700 | 1-5 max |



ADI UHS SUPER DUTY STUBBING WHEEL Ø91 X 30 X 7MM

50mm bore + 3 holes for Granite and Engineered Stone. For drain board milling and thickness calibration.

| SIZE (MM) | CODE | RPM | FEED SPEED (MM/MIN) | STOCK REMOVAL (MM) |
|--------------|---------|------|---------------------|--------------------|
| Ø91 x 30 x 7 | PB29443 | 4500 | 400-800 | 5 -10 max |



ADI SUPER DUTY STUBBING WHEEL

ADI Super Stubbing Wheel D150x25x7mm for Granite & ES B50(3+3) Fitting.

| SIZE (MM) | CODE | RPM | FEED SPEED (MM/MIN) | STOCK REMOVAL (MM) |
|---------------|---------|------|---------------------|--------------------|
| Ø150 x 25 x 7 | PB29536 | 4000 | 200 - 400 | 1 - 5 max |



ADI 45° DRAINBOARD SET FOR ENGINEERED STONE

35mm Bore for Engineered Stone.



| POSITION /GRADE | CODE | SIZE (MM) | RPM | FEED SPEED (MM/MIN) | STOCK REMOVAL (MM) |
|-----------------|---------|-----------|-----------|---------------------|--------------------|
| Pos. 1 Metal | PB29504 | 119 | 4500-5500 | 900-1000 | 0.15 |
| Pos. 2 Metal | PB29505 | 119 | 4000-4500 | 1000 | 0.1 |
| #200 Resin | PB29720 | 107 | 1000-1200 | 800-1200 | 0.05 |
| #500 Resin | PB29557 | 107 | 1000-1200 | 800-1200 | 0.05 |
| #1000 Resin | PB29558 | 107 | 1000-1200 | 800-1200 | 0.05 |
| #2000 Resin | PB29559 | 107 | 1000-1200 | 800-1200 | 0.05 |
| #3000 Resin | PB29722 | 107 | 1000-1200 | 800-1200 | 0.05 |

Available in 60 degree option on request.

ADI 45° DRAINBOARD SET FOR GRANITE

35mm Bore for Granite.



| POSITION /GRADE | CODE | SIZE (MM) | RPM | FEED SPEED (MM/MIN) | STOCK REMOVAL (MM) |
|-----------------|---------|-----------|-----------|---------------------|--------------------|
| Pos. 1 Metal | PB29504 | 119 | 4000-4500 | 900-1000 | 0.15 |
| Pos. 2 Metal | PB29505 | 119 | 4000-4500 | 1000 | 0.1 |
| #325 Resin | PB39051 | 123 | 1800 | 2000 | 0.1 |
| #600 Resin | PB39053 | 123 | 1500 | 2500 | 0.1 |
| #800 Resin | PB39055 | 123 | 1300 | 2500 | 0.05 |
| #1500 Resin | PB39057 | 123 | 1100 | 2000 | 0.05 |
| #3000 Resin | PB39059 | 123 | 1000 | 2000 | 0.05 |

Available in 60 degree option on request.



ADI FLAT DRAINBOARD SET FOR ENGINEERED STONE

100mm Magnetic Backing for Engineered Stone.



| GRADE | CODE | SIZE (MM) | RPM | FEED SPEED (MM/MIN) | STOCK REMOVAL (MM) |
|-------|---------|-----------|-----------|---------------------|--------------------|
| #50 | PB29365 | 100 | 4000-6000 | 1200-1500 | 0.1 |
| #100 | PB29371 | 100 | 4000-6000 | 1200-1500 | 0.1 |
| #200 | PB29336 | 100 | 4000-6000 | 1200-1500 | 0.1 |
| #500 | PB29337 | 100 | 4000-4500 | 1000 | 0.1 |
| #1000 | PB29338 | 100 | 1000-1200 | 800-1200 | 0.05 |
| #2000 | PB29339 | 100 | 1000-1200 | 800-1200 | 0.05 |
| #3000 | PB29340 | 100 | 1000-1200 | 800-1200 | 0.05 |

ADI FLAT DRAINBOARD SET FOR GRANITE

100mm Magnetic Backing for Granite.



| GRADE | CODE | SIZE (MM) | RPM | FEED SPEED (MM/MIN) | STOCK REMOVAL (MM) |
|-------|---------|-----------|----------|---------------------|--------------------|
| #120 | PB29202 | 100 | 1500 | 4000-6000 | 0.15 |
| #200 | PB29203 | 100 | 1500 | 4000-6000 | 0.1 |
| #400 | PB29204 | 100 | 1500 | 4000-6000 | 0.1 |
| #800 | PB29205 | 100 | 1200 | 4000-6000 | 0.1 |
| #1500 | PB29206 | 100 | 1000 | 4000-6000 | 0.05 |
| #3000 | PB29207 | 100 | 900-1000 | 4000-6000 | 0.05 |
| LUX | PB29129 | 100 | 800-1000 | 5000 | 0.05 |

DRAINBOARD GROOVING

ADI RADIUS ROUTER BITS FOR GROOVING

For Granite and Engineered Stone.
R 1/2" Fitting.



| POSITION | CODE | SIZE (MM) | RPM | FEED SPEED (MM/MIN) | STOCK REMOVAL (MM) |
|------------|---------|-----------|-----------|---------------------|--------------------|
| 1 | PB27528 | Ø12 R=6 | 7000-8000 | 150-300 | To Shape |
| 2 | PB27529 | Ø12 R=6 | 7000-8000 | 600-800 | 0.2-0.15 |
| 3 | PB27530 | Ø12 R=6 | 7000-8000 | 600-800 | 0.15-0.1 |
| 4 | PB27531 | Ø12 R=6 | 7000-8000 | 600-800 | 0.1 |
| 5 (Eraser) | PB27515 | Ø12 R=6 | 5000-6000 | 400-600 | 0.15-0.1 |

TRADITIONAL PRE-CUTTING TOOLS

ADI PRE-CUTTING / MITRE WHEEL Y PROFILE

For slabs with a thickness of 20, 30 and 40mm. Use positions 1 and 2 to create a perfect 45° mitred edge or you can use Position 1 as a pre-cutting wheel for profiles F and D.

| POSITION | CODE | SIZE (MM) | RPM | FEED SPEED (MM/MIN) | STOCK REMOVAL (MM) |
|----------|----------|------------------|-----------|---------------------|--------------------|
| 1 | PB123058 | 130 - Bore=35 | 4500-5500 | 800-1200 | To Shape |
| 2 | PB40327 | 130 - Bore=35 | 3800-4500 | 800-1200 | 0.1-0.2 |



NINJA BLADES

ADI NINJA BLADES

ADI Ninja pre-cutting blades are used in a set as a pre-cutting wheel. This protects the life of the rest of the tools in the sequence. Each blade has a 35mm bore. Sold individually.

| CODE | BLADE NUMBER | DIAMETER |
|---------|--------------|----------|
| PC12070 | 1 | 70 |
| PC12075 | 1/2 | 75 |
| PC12080 | 2 | 80 |
| PC12085 | 2/3 | 85 |
| PC12090 | 3 | 90 |
| PC12095 | 3/4 | 95 |
| PC12100 | 4 | 100 |
| PC12105 | 4/5 | 105 |
| PC12110 | 5 | 110 |
| PC12115 | 5/6 | 115 |
| PC12120 | 6 | 120 |
| PC12125 | 6/7 | 125 |
| PC12130 | 7 | 130 |
| PC12135 | 7/8 | 135 |
| PC12140 | 8 | 140 |
| PC12145 | 8/9 | 145 |
| PC12150 | 9 | 150 |
| PC12155 | 9/10 | 155 |
| PC12160 | 10 | 160 |

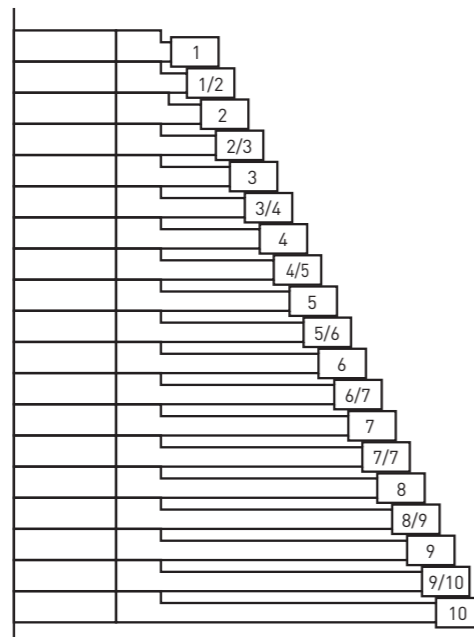


OPERATING PARAMETERS FOR NINJA BLADE

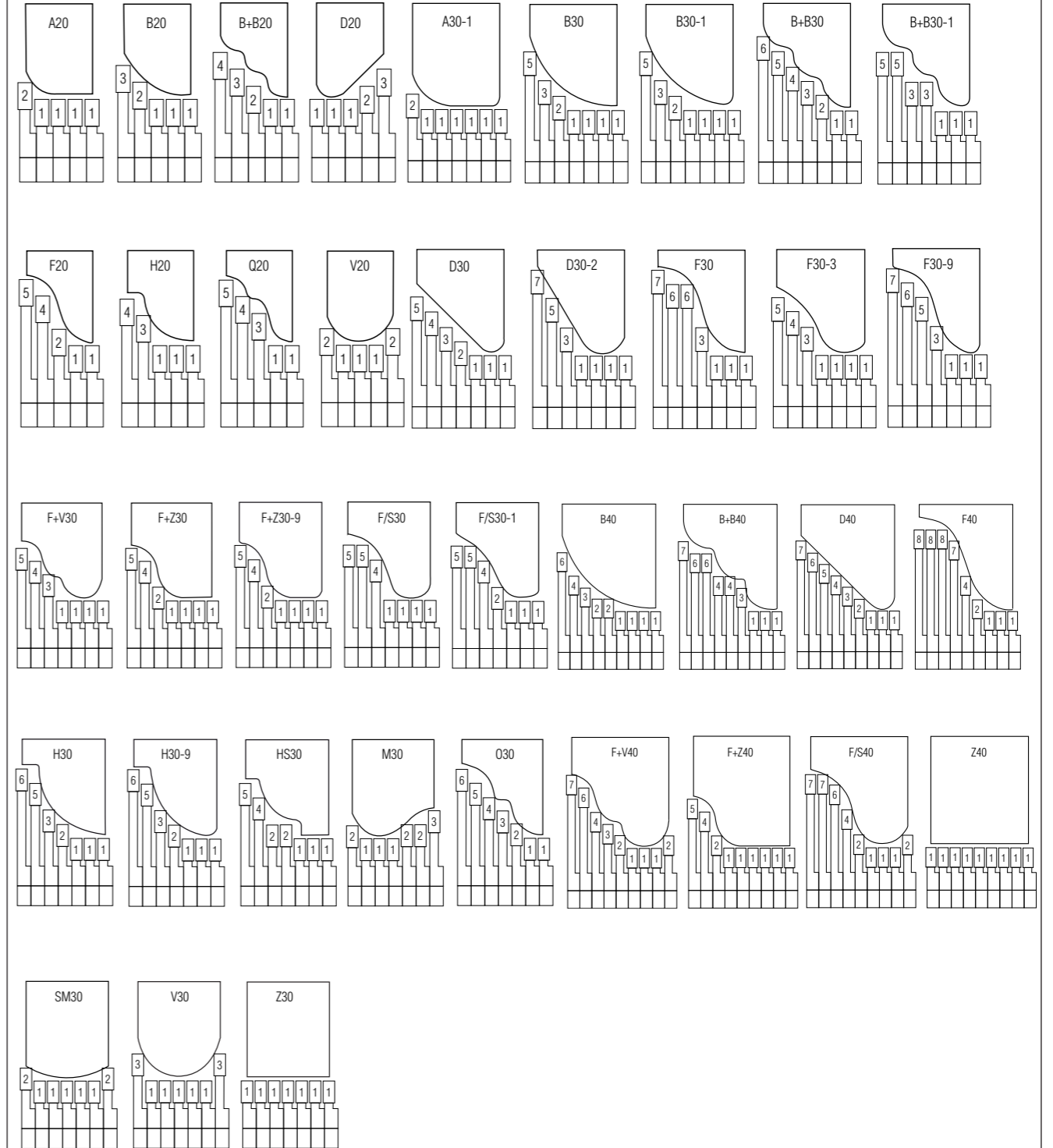
| RPM | FEED SPEED (MM/MIN) | STOCK REMOVAL (MM) |
|-----------|---------------------|--------------------|
| 4500-5500 | 1000-2000 | To Shape |

SPACERS FOR NINJA BLADE

| CODE | INNER DIAMETER (MM) | OUTER DIAMETER (MM) | THICKNESS (MM) |
|---------|---------------------|---------------------|----------------|
| SL02446 | 35 | 48 | 5 |



NINJA BLADES PROFILE COMBINATIONS



ZERO CHIPPING SEAM SOLUTIONS

ADI ZERO CHIPPING SEAM SOLUTION

Three step solution for producing perfect masons mitres with zero chipping. The mason's mitre allows the appearance of a mitre joint to be created with much less waste than occurs with a common mitre joint, in which triangular sections must be removed from the ends of both joint members.



POSITION 1 POSITION 2 POSITION 3

| POSITION | RPM | FEED SPEED (MM/MIN) | STOCK REMOVAL (MM) | CODE |
|----------|-----------|---------------------|--------------------|---------|
| 1 | 6000 | 1500-3000 | To Shape | PB01323 |
| 2 | 6000 | 1500-4000 | 0.2-0.3 | PB01324 |
| 3 | 4800-5300 | 1000-1500 | 0.05-0.1 | PB01325 |

ABOUT ADI CNC PROFILING TOOLS

Discover the true economy of high quality tools. Seven lines of profile tools cover every application for modern bench top fabrication:

Whether you require a tool for fast processing of straight edges or a tool for profiling a tight internal radius, there is a suitable tool within the ADI range.



Minimum diameter of 105mm



Up to diameter of 104mm



Minimum diameter of 40mm



Minimum diameter of 20mm - Available in:
Up (U) Down (D)



Polishing tools for small radii.



Pre-cutting tool



Tools specifically designed for Ultra Compact Surfaces and Sintered Stone..

- **UHS technology**
A break-through in metal bond formulation ADI's new Ultra High Speed tools are capable of feed rates up to four times that of regular metal bonded tools.

- **Unsurpassed tool life**
ADI metal bond tools yield the highest tool life and the lowest cost per meter of edge-work in the industry.

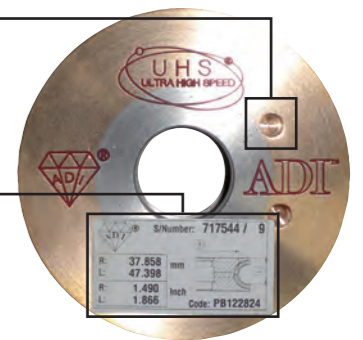
- **Precisely engineered water slots**
The intricately machined water slots provide superior water-cooling and hence superior finish and tool life. The process of machining the slots is time consuming and costly but hugely beneficial for your production.



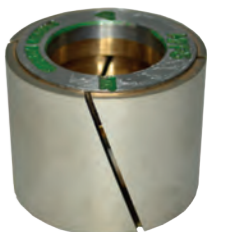
- **Profile integrity**
You can be sure that every time you purchase an ADI profile wheel it will have precisely the same profile.

- **Precision balancing**
Every ADI profile is dynamically balanced to ensure vibration-free operation.

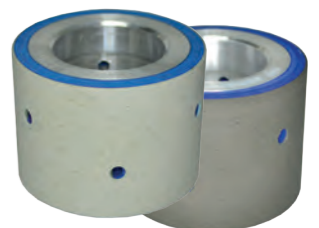
- **Preset labels**
Accurate dimensions printed on each tool save valuable set-up time. Each individual tool is measured to an accuracy of 0.001mm.



- **MFP5**
 - » Dramatic line reduction
 - » Robust solution to minor mistakes
 - » Possibility to be repaired
 - » All shapes available
 - » Longer life
 - » Optimal Integrity of shape

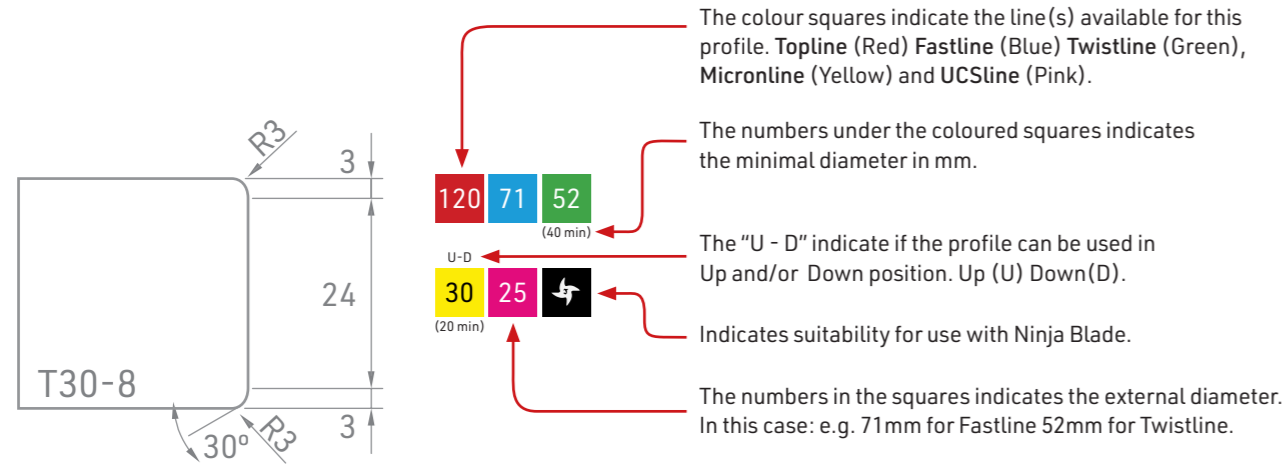


- **EXPRESS**
 - » Better gloss
 - » Longer life
 - » Limited orange peel
 - » Easy start-up
 - » Only 2 positions instead of 3



SLAB PROFILES

EXAMPLE OF PROFILE INFORMATION



The colour squares indicate the line(s) available for this profile. Topline (Red) Fastline (Blue) Twistline (Green), Micronline (Yellow) and UCLine (Pink).

The numbers under the coloured squares indicates the minimal diameter in mm.

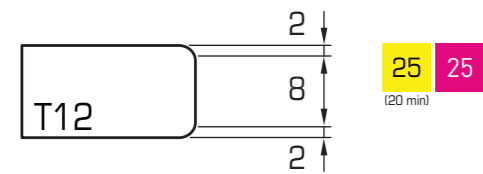
The "U - D" indicate if the profile can be used in Up and/or Down position. Up (U) Down(D).

Indicates suitability for use with Ninja Blade.

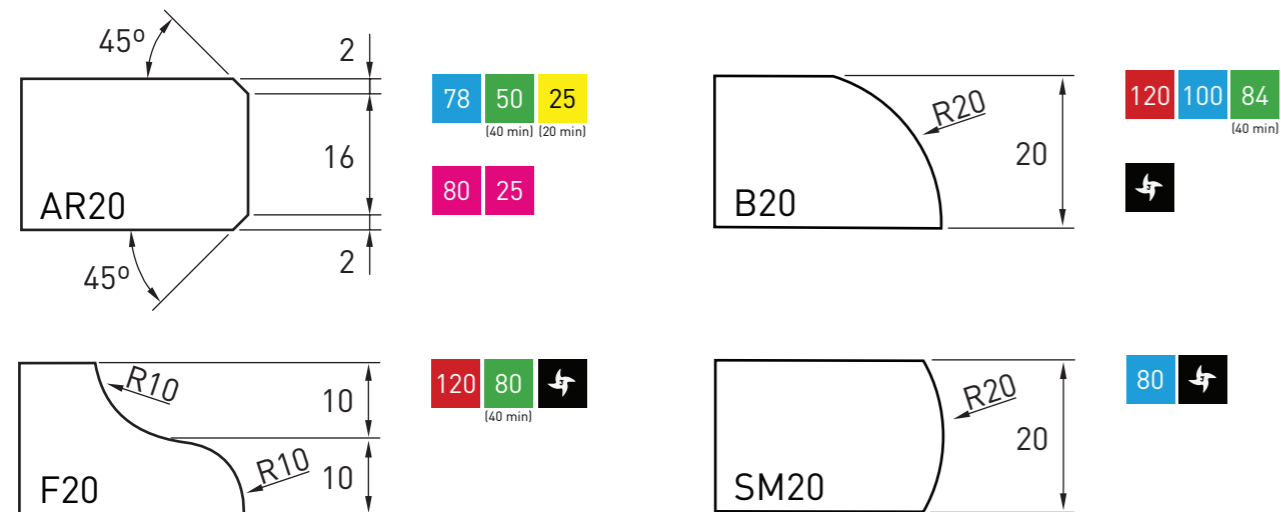
The numbers in the squares indicates the external diameter. In this case: e.g. 71 mm for Fastline 52mm for Twistline.

Please note all diagrams are for illustrative purpose only and are not to scale. All diagrams are in the 'Up' position, if the tool is only available in a 'Down' position, the diagram will be the inverse of what is displayed.

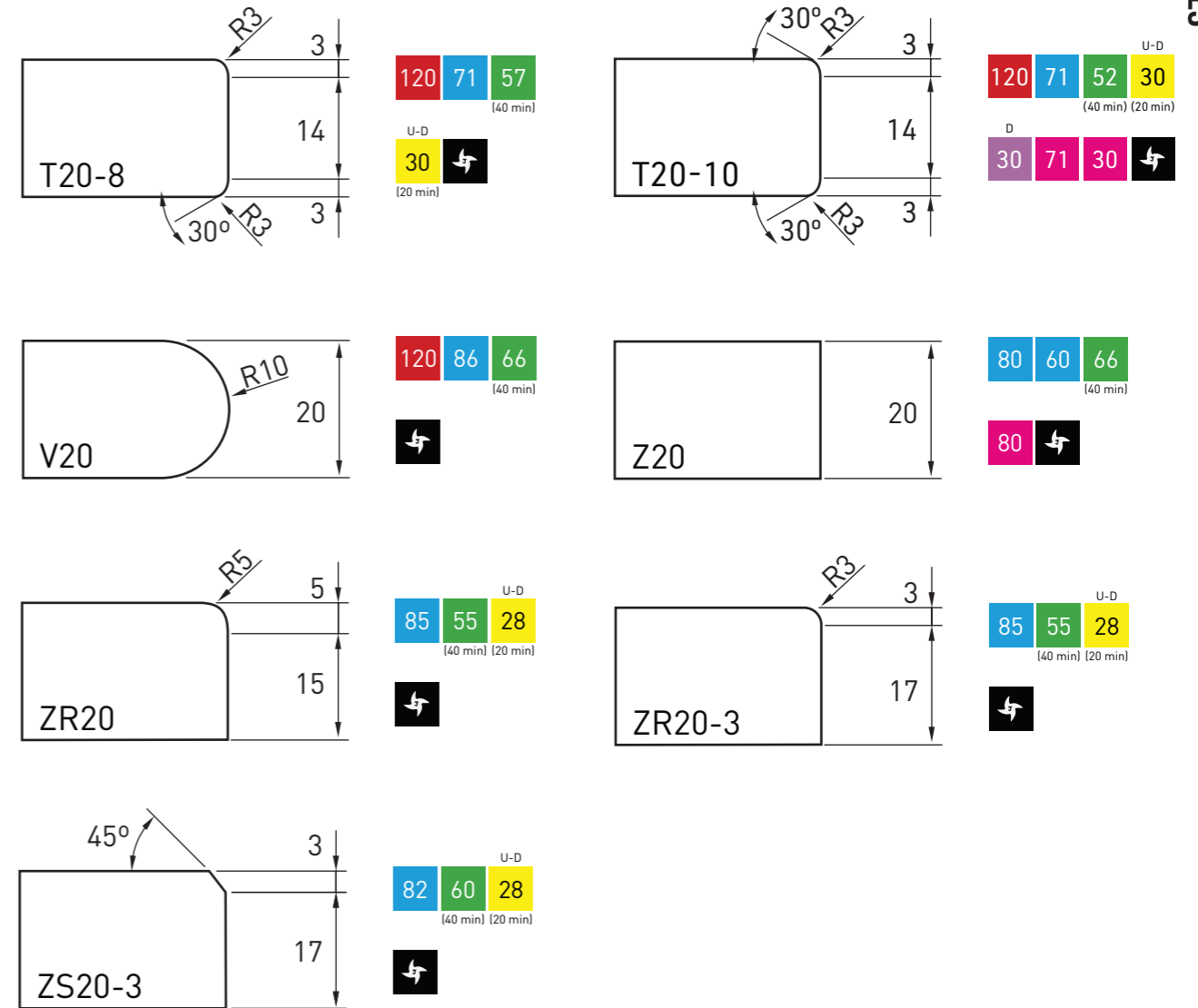
S=12 SLAB PROFILES



S=20 SLAB PROFILES

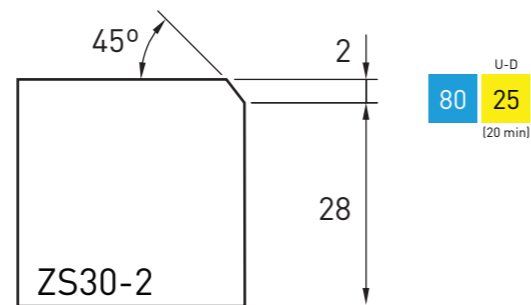
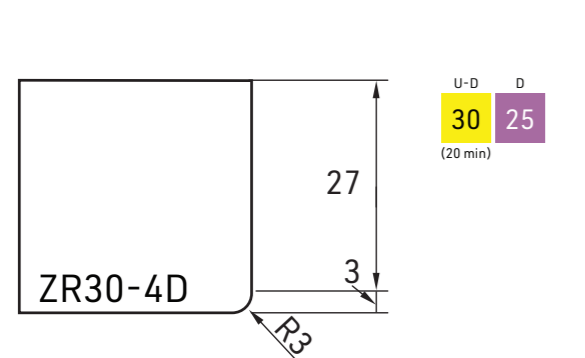
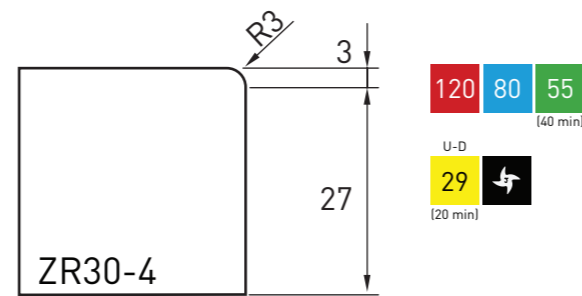
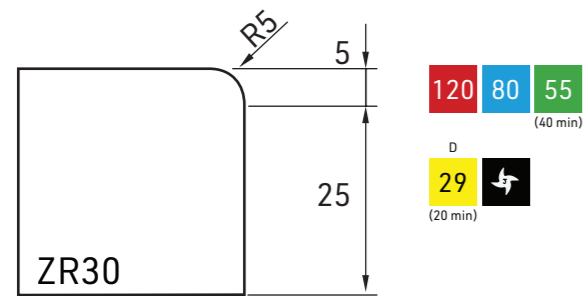
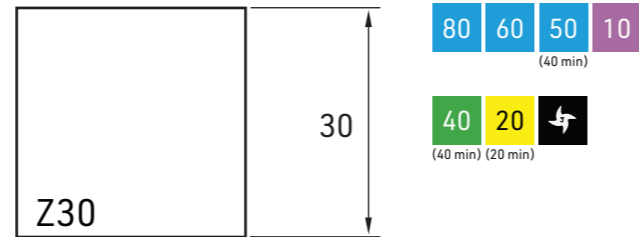
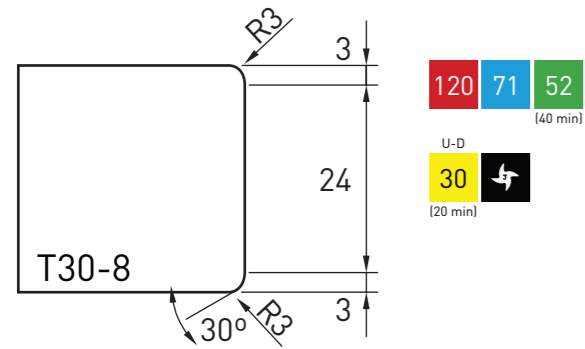
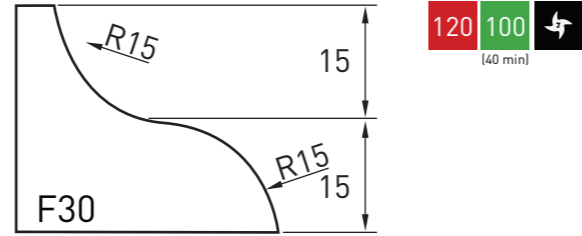
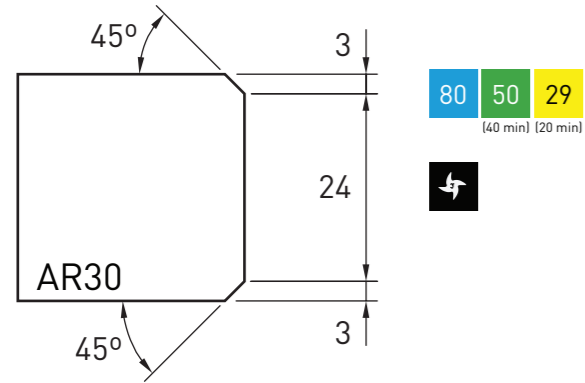


S=20 SLAB PROFILES CONTINUED

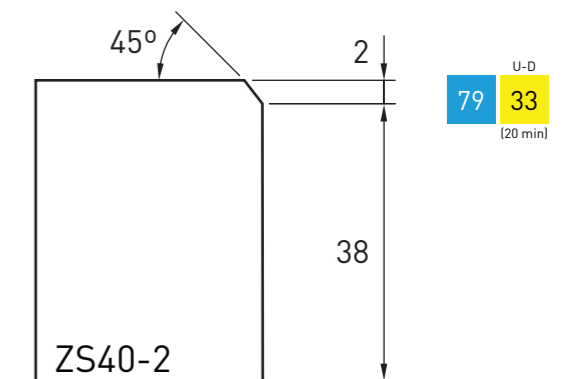
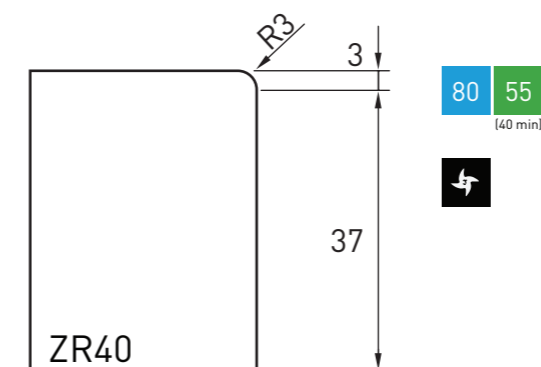
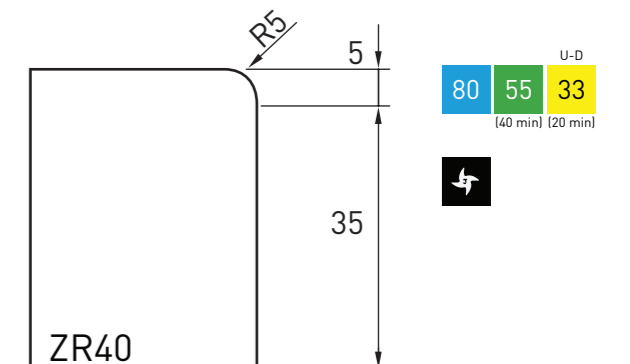
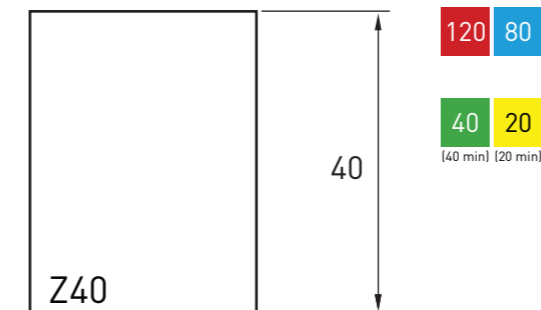
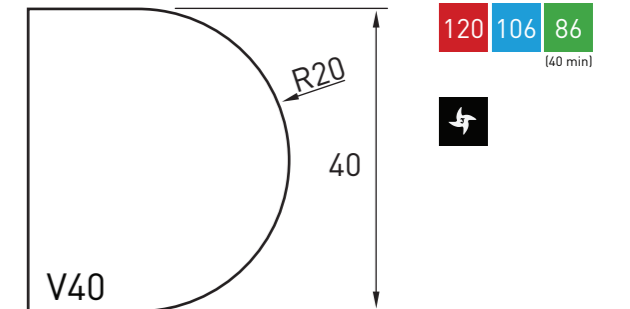
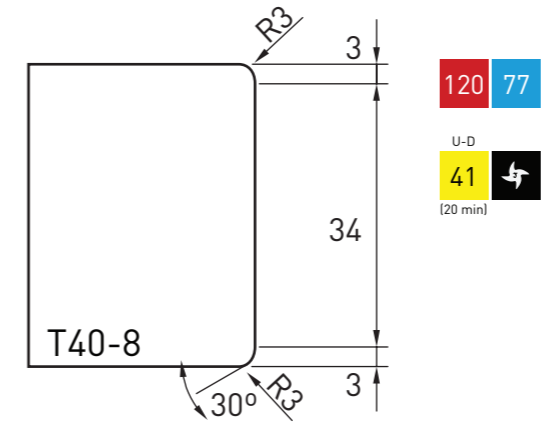
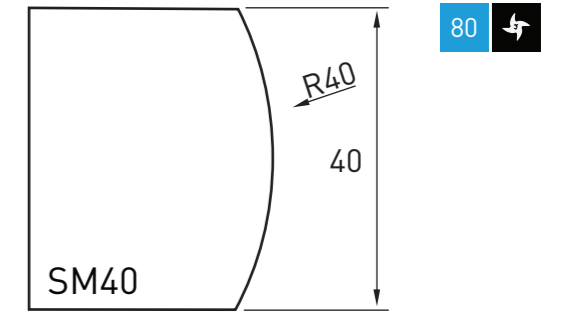
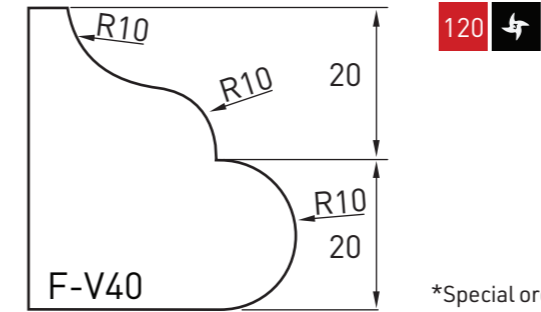
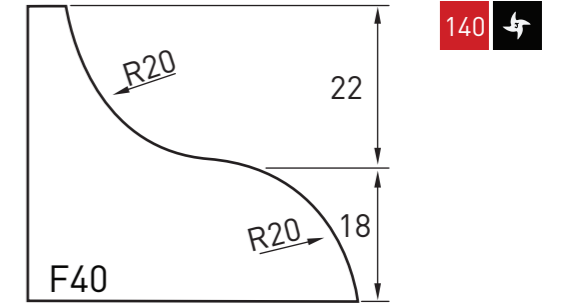
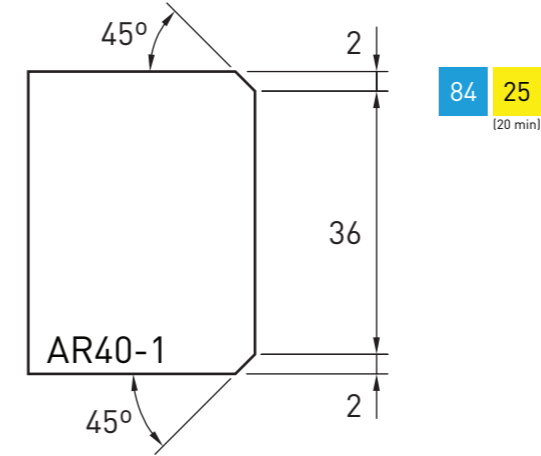


SLAB PROFILES

S=30 SLAB PROFILES



S=40 SLAB PROFILES



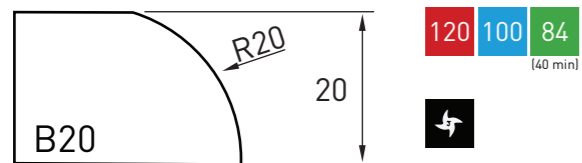
TOPLINE PROFILE TOOLS



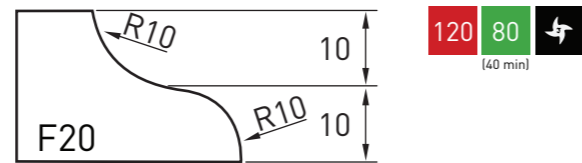
ID - Internal Diameter
ED - External Diameter

OPERATING PARAMETERS FOR WORKING WITH TOPLINE

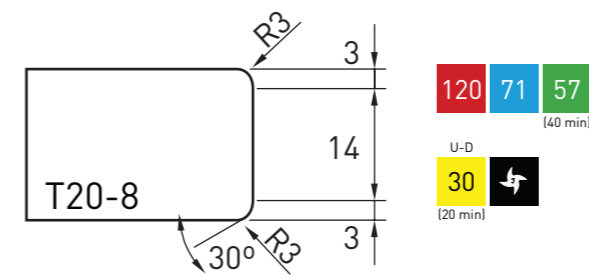
| POS | SLAB THICKNESS (MM) | RPM (MIN-MAX) | FEED SPEED (MM/MIN) | STOCK REMOVAL (MM) | WHEEL TYPE |
|-----|---------------------|---------------|---------------------|--------------------|----------------|
| 1 | 20-30-40 | 4500-6500 | 1500-4000 | To Shape | Segmented |
| 2 | 20-30-40 | 4500-5500 | 1500-10000 | 0.3-0.4 | Continuous Rim |
| 3 | 20-30-40 | 4500-5500 | 1500-10000 | 0.2-0.3 | Continuous Rim |
| 4 | 20-30-40 | 4500-5000 | 1000-2000 | 0.05-0.1 | Continuous Rim |
| 5 | 20-30-40 | 4000-4500 | 1000-1800 | 0.03-0.05 | MFP5 |
| 6 | 20-30-40 | 2500-3000 | 1200-1500 | 0.03-0.05 | Express |
| 7 | 20-30-40 | 2500-3000 | 1200-1500 | 0.03-0.05 | Express |



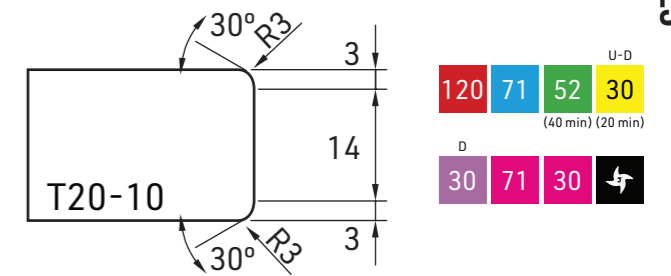
| POS | CODE | DIAMETER EXTERNAL (MM) | DIAMETER INTERNAL (MM) | WHEEL TYPE |
|-----|----------|------------------------|------------------------|------------|
| 1 | PB122667 | 120 | 76 | Seg |
| 2 | PB122668 | 120 | 76 | Cr+S |
| 3 | PB122669 | 120 | 76 | Cr+S |
| 4 | PB122670 | 120 | 76 | Cr+S |
| 5 | PB01513 | 100 | 56 | MFP5 |
| 6 | PB02029 | 110 | 60 | Exp |
| 7 | PB02030 | 110 | 60 | Exp |



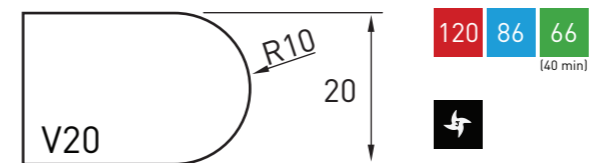
| POS | CODE | DIAMETER EXTERNAL (MM) | DIAMETER INTERNAL (MM) | WHEEL TYPE |
|-----|----------|------------------------|------------------------|------------|
| 1 | PB122706 | 120 | 80 | Seg |
| 2 | PB122707 | 120 | 80 | Cr+S |
| 3 | PB122708 | 120 | 80 | Cr+S |
| 4 | PB122709 | 120 | 80 | Cr+S |
| 5 | PB01523 | 120 | 80 | MFP5 |
| 6 | PB02059 | 101 | 60 | Exp |
| 7 | PB02060 | 101 | 60 | Exp |



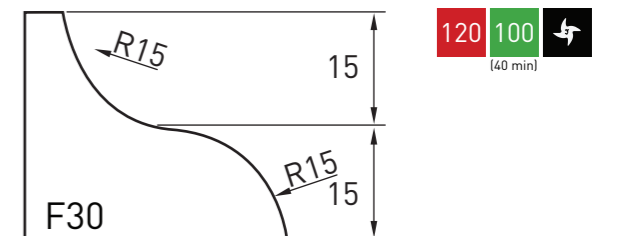
| POS | CODE | DIAMETER EXTERNAL (MM) | DIAMETER INTERNAL (MM) | WHEEL TYPE |
|-----|----------|------------------------|------------------------|------------|
| 1 | PB124058 | 120 | 103 | Seg |
| 2 | PB124059 | 120 | 103 | Cr+S |
| 3 | PB124060 | 120 | 103 | Cr+S |
| 4 | PB124061 | 120 | 103 | Cr+S |
| 5 | PB01582 | 71 | 60 | MFP5 |
| 6 | PB02245 | 75 | 60 | Exp |
| 7 | PB02246 | 75 | 60 | Exp |



| POS | CODE | DIAMETER EXTERNAL (MM) | DIAMETER INTERNAL (MM) | WHEEL TYPE |
|-----|----------|------------------------|------------------------|------------|
| 1 | PB124239 | 120 | 80 | Seg |
| 2 | PB124240 | 120 | 80 | Cr+S |
| 3 | PB124241 | 120 | 80 | Cr+S |
| 4 | PB124242 | 120 | 80 | Cr+S |
| 5 | PB01633 | 71 | 80 | MFP5 |
| 6 | PB021350 | 75 | 60 | Exp |
| 7 | PB021351 | 75 | 60 | Exp |

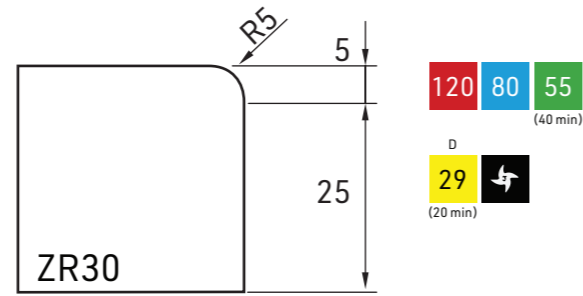
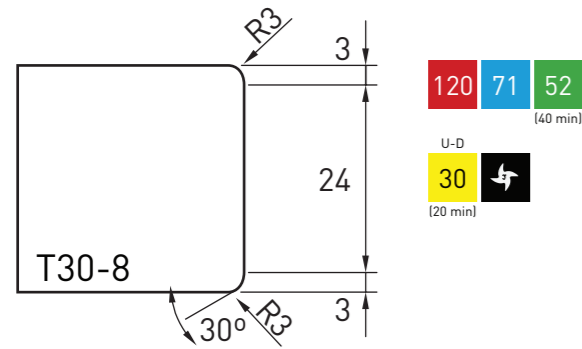


| POS | CODE | DIAMETER EXTERNAL (MM) | DIAMETER INTERNAL (MM) | WHEEL TYPE |
|-----|----------|------------------------|------------------------|------------|
| 1 | PB122815 | 120 | 94 | Seg |
| 2 | PB122816 | 120 | 94 | Cr+S |
| 3 | PB122817 | 120 | 94 | Cr+S |
| 4 | PB122818 | 120 | 94 | Cr+S |
| 5 | PB01561 | 86 | 60 | MFP5 |
| 6 | PB02173 | 90 | 60 | Exp |
| 7 | PB02174 | 90 | 60 | Exp |



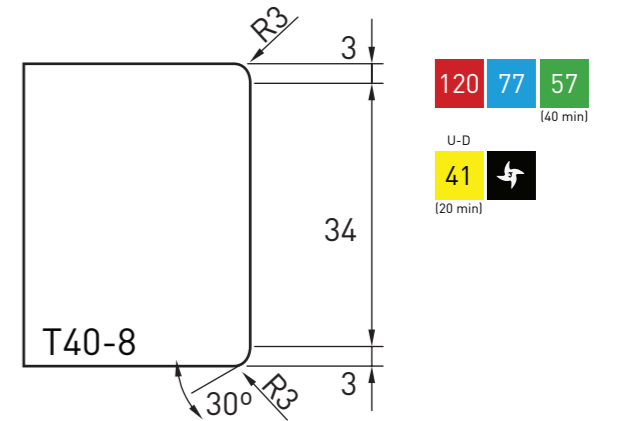
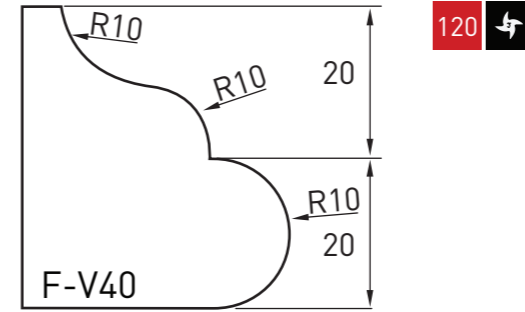
| POS | CODE | DIAMETER EXTERNAL (MM) | DIAMETER INTERNAL (MM) | WHEEL TYPE |
|-----|----------|------------------------|------------------------|------------|
| 1 | PB122605 | 130 | 70 | Seg |
| 2 | PB122606 | 120 | 60 | Cr+S |
| 3 | PB122607 | 120 | 60 | Cr+S |
| 4 | PB122647 | 120 | 60 | Cr+S |
| 5 | PB01524 | 120 | 60 | MFP5 |
| 6 | PB02062 | 120 | 60 | Exp |
| 7 | PB02063 | 120 | 60 | Exp |

TOPLINE PROFILE TOOLS



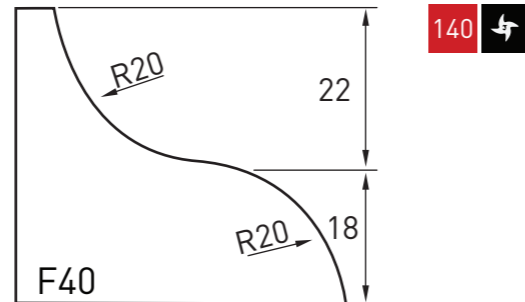
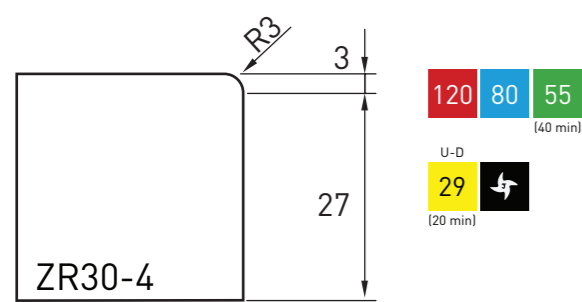
| POS | CODE | DIAMETER EXTERNAL (MM) | DIAMETER INTERNAL (MM) | WHEEL TYPE |
|-----|----------|------------------------|------------------------|------------|
| 1 | PB124062 | 120 | 103 | Seg |
| 2 | PB124063 | 120 | 103 | Cr+S |
| 3 | PB124064 | 120 | 103 | Cr+S |
| 4 | PB124065 | 120 | 103 | Cr+S |
| 5 | PB01583 | 71 | 60 | MFP5 |
| 6 | PB02248 | 75 | 60 | Exp |
| 7 | PB02249 | 75 | 60 | Exp |

| POS | CODE | DIAMETER EXTERNAL (MM) | DIAMETER INTERNAL (MM) | WHEEL TYPE |
|-----|----------|------------------------|------------------------|------------|
| 1 | PB124571 | 120 | 105 | Seg |
| 2 | PB124572 | 120 | 105 | Cr+S |
| 3 | PB124573 | 120 | 105 | Cr+S |
| 4 | PB124574 | 120 | 105 | Cr+S |
| 5 | PB01568 | 80 | 65 | MFP5 |
| 6 | PB02203 | 80 | 60 | Exp |
| 7 | PB02204 | 80 | 60 | Exp |



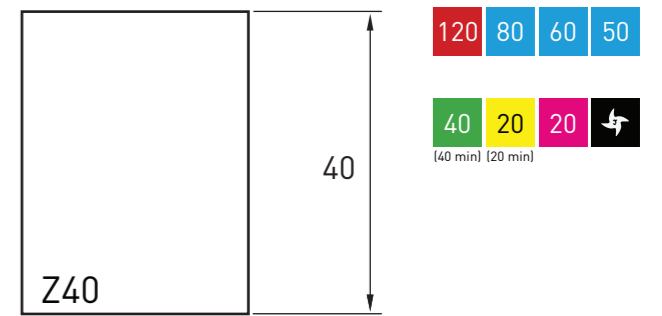
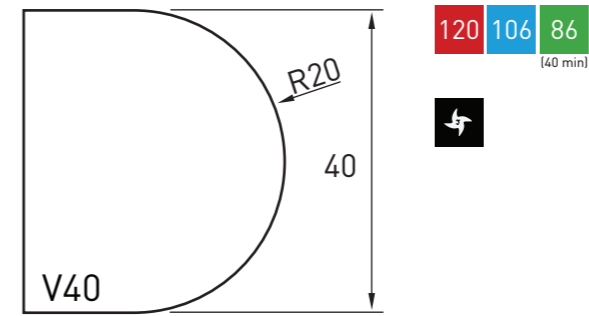
| POS | CODE | DIAMETER EXTERNAL (MM) | DIAMETER INTERNAL (MM) | WHEEL TYPE |
|-----|----------|------------------------|------------------------|------------|
| 1 | PB123225 | 128 | 70 | Seg |
| 2 | PB122727 | 120 | 62 | Cr+S |
| 3 | PB122728 | 120 | 62 | Cr+S |
| 4 | PB122729 | 120 | 62 | Cr+S |
| 5 | PB01531 | 120 | 62 | MFP5 |
| 6 | PB02083 | 118 | 60 | Exp |
| 7 | PB02084 | 118 | 60 | Exp |

| POS | CODE | DIAMETER EXTERNAL (MM) | DIAMETER INTERNAL (MM) | WHEEL TYPE |
|-----|----------|------------------------|------------------------|------------|
| 1 | PB124066 | 120 | 103 | Seg |
| 2 | PB124067 | 120 | 103 | Cr+S |
| 3 | PB124068 | 120 | 103 | Cr+S |
| 4 | PB124069 | 120 | 103 | Cr+S |
| 5 | PB01584 | 77 | 60 | MFP5 |
| 6 | PB02251 | 75 | 60 | Exp |
| 7 | PB02252 | 75 | 60 | Exp |



| POS | CODE | DIAMETER EXTERNAL (MM) | DIAMETER INTERNAL (MM) | WHEEL TYPE |
|-----|----------|------------------------|------------------------|------------|
| 1 | PB124361 | 120 | 103 | Seg |
| 2 | PB124362 | 120 | 103 | Cr+S |
| 3 | PB124363 | 120 | 103 | Cr+S |
| 4 | PB124364 | 120 | 103 | Cr+S |
| 5 | PB01668 | 80 | 65 | MFP5 |
| 6 | PB02257 | 77 | 60 | Exp |
| 7 | PB02258 | 77 | 60 | Exp |

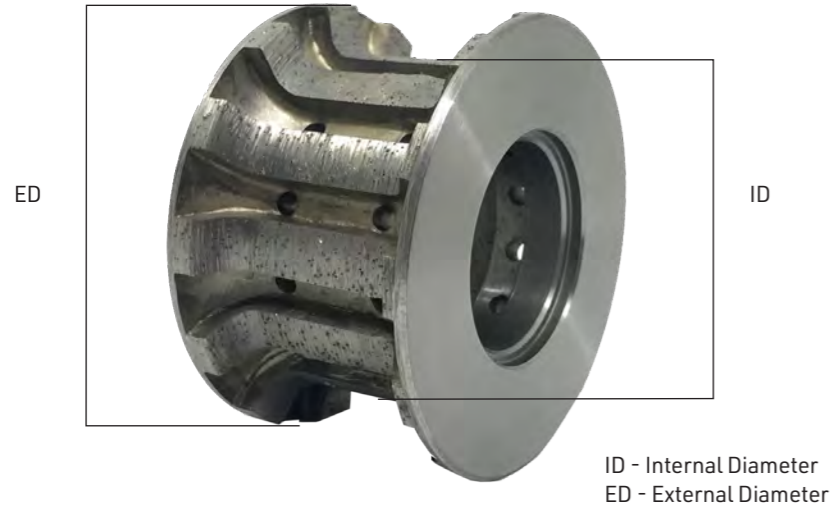
| POS | CODE | DIAMETER EXTERNAL (MM) | DIAMETER INTERNAL (MM) | WHEEL TYPE |
|-----|----------|------------------------|------------------------|------------|
| 1 | PB122710 | 140 | 60 | Seg |
| 2 | PB122711 | 140 | 60 | Cr+S |
| 3 | PB122712 | 140 | 60 | Cr+S |
| 4 | PB122713 | 140 | 60 | Cr+S |
| 5 | PB01671 | 140 | 60 | MFP5 |
| 6 | PB021322 | 141 | 60 | Exp |
| 7 | PB021323 | 141 | 60 | Exp |



| POS | CODE | DIAMETER EXTERNAL (MM) | DIAMETER INTERNAL (MM) | WHEEL TYPE |
|-----|----------|------------------------|------------------------|------------|
| 1 | PB122823 | 120 | 74 | Seg |
| 2 | PB122824 | 120 | 74 | Cr+S |
| 3 | PB122825 | 120 | 74 | Cr+S |
| 4 | PB122826 | 120 | 74 | Cr+S |
| 5 | PB01563 | 106 | 60 | MFP5 |
| 6 | PB02179 | 107 | 60 | Exp |
| 7 | PB02180 | 107 | 60 | Exp |

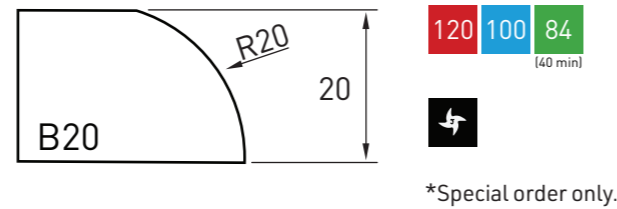
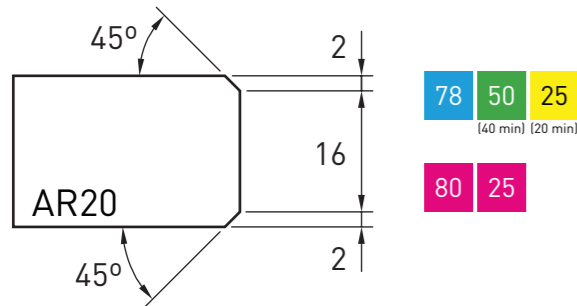
| POS | CODE | DIAMETER EXTERNAL (MM) | DIAMETER INTERNAL (MM) | WHEEL TYPE |
|-----|----------|------------------------|------------------------|------------|
| 1 | PB123871 | 120 | 120 | Seg |
| 2 | PB123872 | 120 | 120 | Cr+S |
| 3 | PB123873 | 120 | 120 | Cr+S |
| 4 | PB123874 | 120 | 120 | Cr+S |
| 5 | PB01506 | 60 | 60 | MFP5 |
| 6 | PB02441 | 80 | 80 | Exp |
| 7 | PB02442 | 80 | 80 | Exp |

FASTLINE PROFILE TOOLS



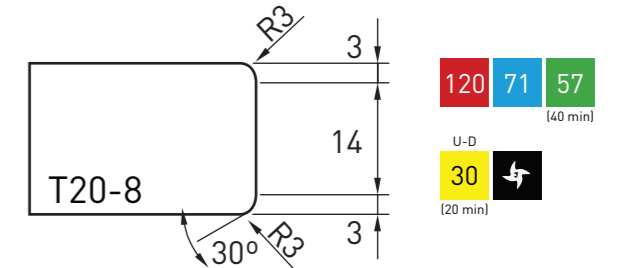
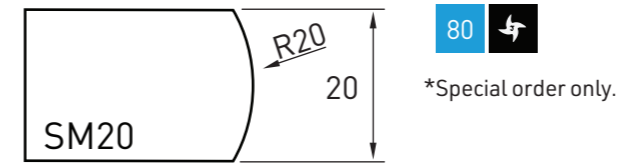
OPERATING PARAMETERS FOR WORKING WITH FASTLINE

| POS | SLAB THICKNESS (MM) | RPM (MIN-MAX) | FEED SPEED (MM/MIN) | STOCK REMOVAL (MM) | WHEEL TYPE |
|-----|---------------------|---------------|---------------------|--------------------|----------------|
| 1 | 20-30-40 | 5000-6000 | 1500-4000 | To Shape | Segmented |
| 2 | 20-30-40 | 5000-6000 | 1500-9000 | 0.3-0.4 | Continuous Rim |
| 3 | 20-30-40 | 5000-6000 | 1500-9000 | 0.2-0.3 | Continuous Rim |
| 4 | 20-30-40 | 4500-4800 | 1000-2000 | 0.05-0.1 | Continuous Rim |
| 5 | 20-30-40 | 4000-4500 | 1000-1800 | 0.03-0.05 | MFP5 |
| 6 | 20-30-40 | 2500-3000 | 1200-1500 | 0.03-0.05 | Express |
| 7 | 20-30-40 | 2500-2800 | 1200-1500 | 0.03-0.05 | Express |



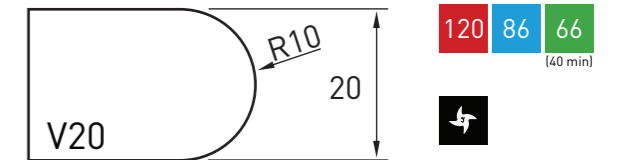
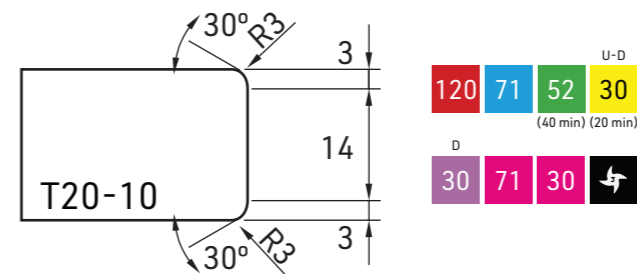
| POS | CODE | DIAMETER EXTERNAL (MM) | DIAMETER INTERNAL (MM) | WHEEL TYPE |
|-----|----------|------------------------|------------------------|------------|
| 1 | PB122847 | 78 | 70 | Cr+S |
| 2 | PB122848 | 78 | 70 | Cr+S |
| 3 | PB122849 | 78 | 70 | Cr+S |
| 4 | PB122850 | 78 | 70 | Cr+S |
| 5 | PB01507 | 78 | 70 | MFP5 |
| 6 | PB02014 | 68 | 60 | Exp |
| 7 | PB02015 | 68 | 60 | Exp |

| POS | CODE | DIAMETER EXTERNAL (MM) | DIAMETER INTERNAL (MM) | WHEEL TYPE |
|-----|----------|------------------------|------------------------|------------|
| 1 | PB123903 | 100 | 56 | Seg |
| 2 | PB123904 | 100 | 56 | Cr+S |
| 3 | PB123905 | 100 | 56 | Cr+S |
| 4 | PB123906 | 100 | 56 | Cr+S |
| 5 | PB01513 | 100 | 56 | MFP5 |
| 6 | PB02029 | 110 | 60 | Exp |
| 7 | PB02030 | 110 | 60 | Exp |



| POS | CODE | DIAMETER EXTERNAL (MM) | DIAMETER INTERNAL (MM) | WHEEL TYPE |
|-----|----------|------------------------|------------------------|------------|
| 1 | PB123391 | 80 | 73 | Cr+S |
| 2 | PB123392 | 80 | 73 | Cr+S |
| 3 | PB123393 | 80 | 73 | Cr+S |
| 4 | PB123394 | 80 | 73 | Cr+S |
| 5 | PB01550 | 80 | 73 | MFP5 |
| 6 | PB02140 | 67 | 60 | Exp |
| 7 | PB02141 | 67 | 60 | Exp |

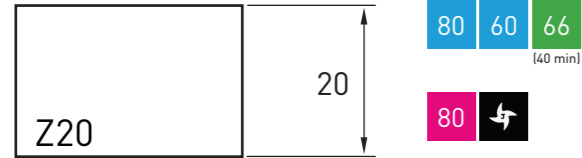
| POS | CODE | DIAMETER EXTERNAL (MM) | DIAMETER INTERNAL (MM) | WHEEL TYPE |
|-----|----------|------------------------|------------------------|------------|
| 1 | PB123670 | 77 | 60 | Seg |
| 2 | PB123671 | 71 | 60 | Cr+S |
| 3 | PB123672 | 71 | 60 | Cr+S |
| 4 | PB123673 | 71 | 60 | Cr+S |
| 5 | PB01582 | 71 | 60 | MFP5 |
| 6 | PB02245 | 75 | 60 | Exp |
| 7 | PB02246 | 75 | 60 | Exp |



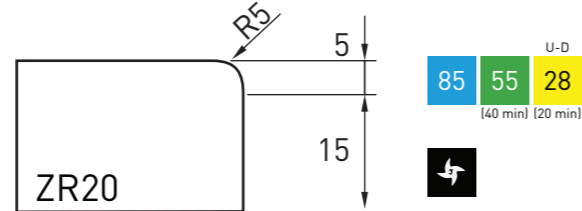
| POS | CODE | DIAMETER EXTERNAL (MM) | DIAMETER INTERNAL (MM) | WHEEL TYPE |
|-----|----------|------------------------|------------------------|------------|
| 1 | PB124177 | 77 | 60 | Seg |
| 2 | PB124178 | 71 | 60 | Cr+S |
| 3 | PB124179 | 71 | 60 | Cr+S |
| 4 | PB124180 | 71 | 60 | Cr+S |
| 5 | PB01633 | 71 | 60 | MFP5 |
| 6 | PB021350 | 75 | 60 | Exp |
| 7 | PB021351 | 75 | 60 | Exp |

| POS | CODE | DIAMETER EXTERNAL (MM) | DIAMETER INTERNAL (MM) | WHEEL TYPE |
|-----|----------|------------------------|------------------------|------------|
| 1 | PB123040 | 86 | 60 | Seg |
| 2 | PB123041 | 86 | 60 | Cr+S |
| 3 | PB123042 | 86 | 60 | Cr+S |
| 4 | PB123043 | 86 | 60 | Cr+S |
| 5 | PB01561 | 86 | 60 | MFP5 |
| 6 | PB02173 | 90 | 60 | Exp |
| 7 | PB02174 | 90 | 60 | Exp |

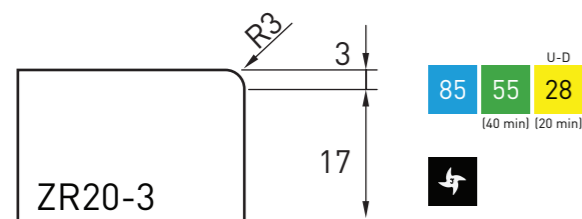
FASTLINE PROFILE TOOLS



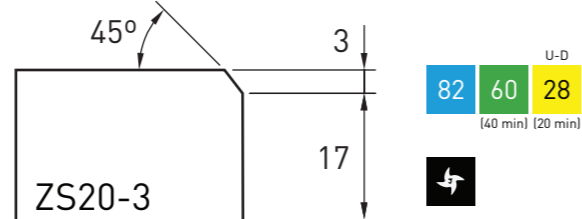
| POS | CODE | DIAMETER EXTERNAL (MM) | DIAMETER INTERNAL (MM) | WHEEL TYPE |
|-----|----------|------------------------|------------------------|------------|
| 1 | PB122875 | 80 | 80 | Seg |
| 2 | PB122876 | 80 | 80 | Cr+S |
| 3 | PB122877 | 80 | 80 | Cr+S |
| 4 | PB122878 | 80 | 80 | Cr+S |
| 5 | PB01504 | 60 | 80 | MFP5 |
| 6 | PB02404 | 80 | 80 | Exp |
| 7 | PB02405 | 80 | 80 | Exp |



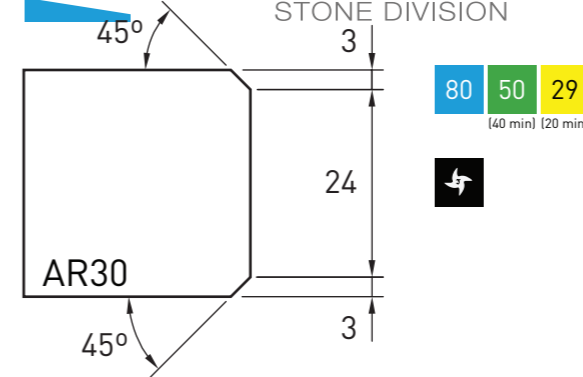
| POS | CODE | DIAMETER EXTERNAL (MM) | DIAMETER INTERNAL (MM) | WHEEL TYPE |
|-----|----------|------------------------|------------------------|------------|
| 1 | PB122887 | 85 | 70 | Cr+S |
| 2 | PB122888 | 85 | 70 | Cr+S |
| 3 | PB122889 | 85 | 70 | Cr+S |
| 4 | PB122890 | 85 | 70 | Cr+S |
| 5 | PB01567 | 85 | 70 | MFP5 |
| 6 | PB02200 | 80 | 60 | Exp |
| 7 | PB02201 | 80 | 60 | Exp |



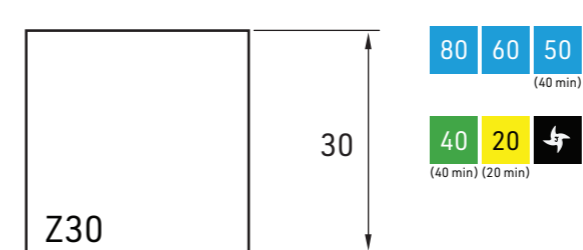
| POS | CODE | DIAMETER EXTERNAL (MM) | DIAMETER INTERNAL (MM) | WHEEL TYPE |
|-----|----------|------------------------|------------------------|------------|
| 1 | PB123508 | 85 | 70 | Cr+S |
| 2 | PB123509 | 85 | 70 | Cr+S |
| 3 | PB123510 | 85 | 70 | Cr+S |
| 4 | PB123511 | 85 | 70 | Cr+S |
| 5 | PB01698 | 85 | 70 | MFP5 |
| 6 | PB02254 | 75 | 60 | Exp |
| 7 | PB02255 | 75 | 60 | Exp |



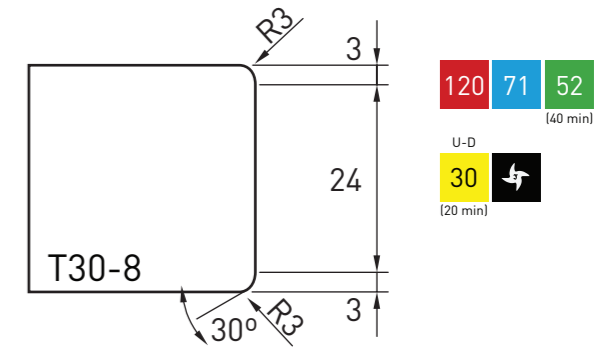
| POS | CODE | DIAMETER EXTERNAL (MM) | DIAMETER INTERNAL (MM) | WHEEL TYPE |
|-----|----------|------------------------|------------------------|------------|
| 1 | PB124171 | 78 | 70 | Cr+S |
| 2 | PB124481 | 78 | 70 | Cr+S |
| 3 | PB124482 | 78 | 70 | Cr+S |
| 4 | PB124483 | 78 | 70 | Cr+S |
| 5 | PB01699 | 78 | 70 | MFP5 |
| 6 | PB021896 | 75 | 70 | Exp |
| 7 | PB021897 | 75 | 70 | Exp |



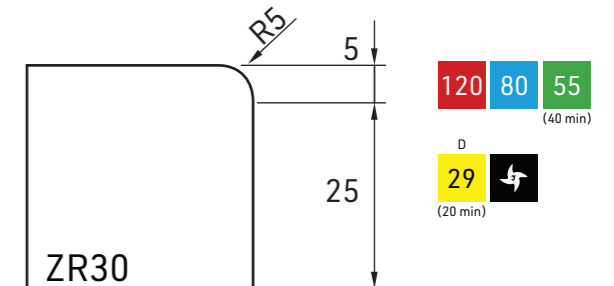
| POS | CODE | DIAMETER EXTERNAL (MM) | DIAMETER INTERNAL (MM) | WHEEL TYPE |
|-----|----------|------------------------|------------------------|------------|
| 1 | PB122571 | 80 | 70 | Cr+S |
| 2 | PB122572 | 80 | 70 | Cr+S |
| 3 | PB122573 | 80 | 70 | Cr+S |
| 4 | PB122642 | 80 | 70 | Cr+S |
| 5 | PB01508 | 80 | 70 | MFP5 |
| 6 | PB02017 | 70 | 60 | Exp |
| 7 | PB02018 | 70 | 60 | Exp |



| POS | CODE | DIAMETER EXTERNAL (MM) | DIAMETER INTERNAL (MM) | WHEEL TYPE |
|-----|----------|------------------------|------------------------|------------|
| 1 | PB123190 | 78 | 78 | Seg |
| 2 | PB122576 | 80 | 80 | Cr+S |
| 3 | PB122577 | 80 | 80 | Cr+S |
| 4 | PB122636 | 80 | 80 | Cr+S |
| 5 | PB01505 | 80 | 80 | MFP5 |
| 6 | PB02389 | 80 | 80 | Exp |
| 7 | PB02390 | 80 | 80 | Exp |

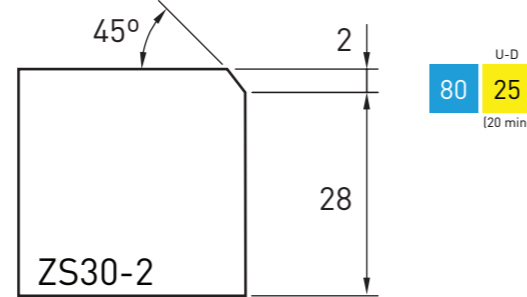
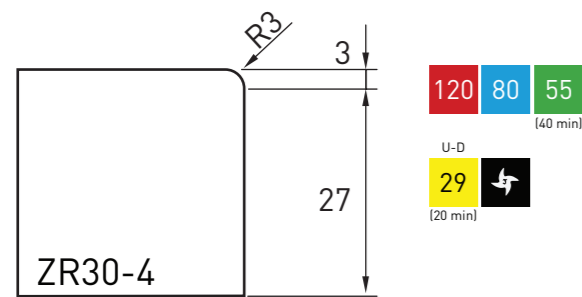


| POS | CODE | DIAMETER EXTERNAL (MM) | DIAMETER INTERNAL (MM) | WHEEL TYPE |
|-----|----------|------------------------|------------------------|------------|
| 1 | PB123674 | 77 | 60 | Seg |
| 2 | PB123675 | 71 | 60 | Cr+S |
| 3 | PB123676 | 71 | 60 | Cr+S |
| 4 | PB123677 | 71 | 60 | Cr+S |
| 5 | PB01583 | 71 | 60 | MFP5 |
| 6 | PB02248 | 75 | 60 | Exp |
| 7 | PB02249 | 75 | 60 | Exp |



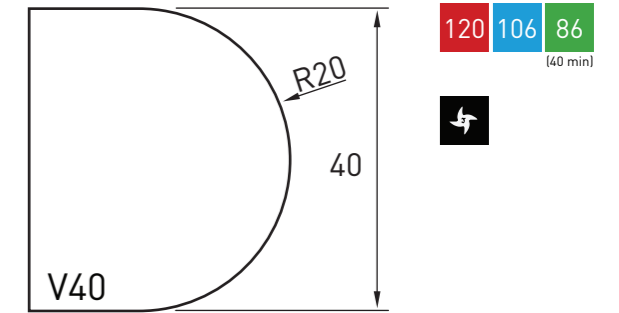
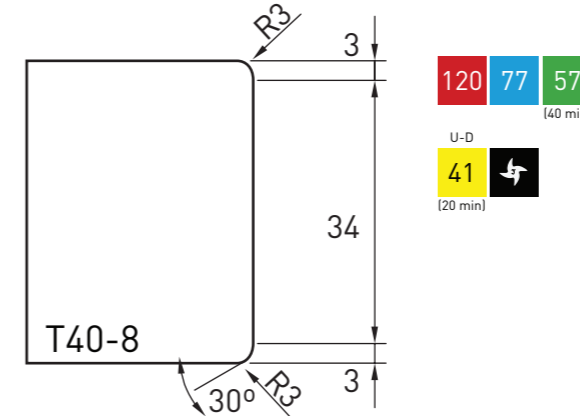
| POS | CODE | DIAMETER EXTERNAL (MM) | DIAMETER INTERNAL (MM) | WHEEL TYPE |
|-----|----------|------------------------|------------------------|------------|
| 1 | PB122623 | 80 | 65 | Cr+S |
| 2 | PB122624 | 80 | 65 | Cr+S |
| 3 | PB122625 | 80 | 65 | Cr+S |
| 4 | PB122646 | 80 | 65 | Cr+S |
| 5 | PB01568 | 80 | 65 | MFP5 |
| 6 | PB02203 | 80 | 60 | Exp |
| 7 | PB02204 | 80 | 60 | Exp |

FASTLINE PROFILE TOOLS



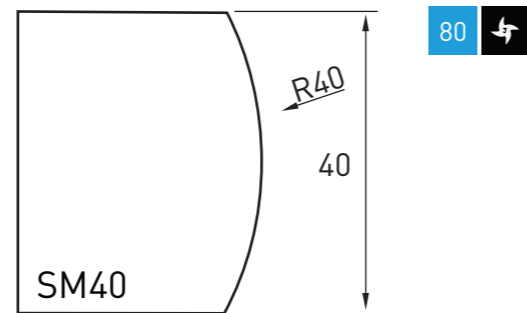
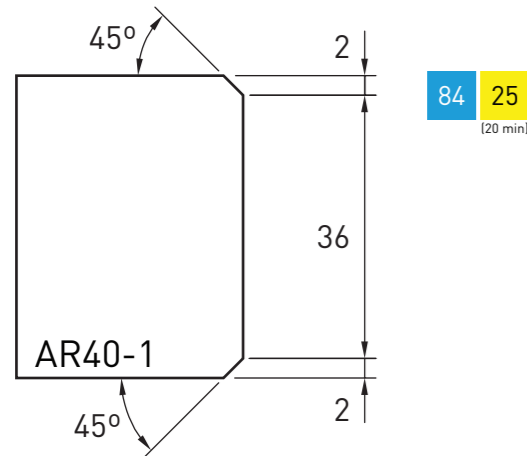
| POS | CODE | DIAMETER EXTERNAL (MM) | DIAMETER INTERNAL (MM) | WHEEL TYPE |
|-----|----------|------------------------|------------------------|------------|
| 1 | PB123196 | 80 | 65 | Cr+S |
| 2 | PB123197 | 80 | 65 | Cr+S |
| 3 | PB123198 | 80 | 65 | Cr+S |
| 4 | PB123199 | 80 | 65 | Cr+S |
| 5 | PB01808 | 80 | 65 | MFP5 |
| 6 | PB02416 | 77 | 60 | Exp |
| 7 | PB02417 | 77 | 60 | Exp |

| POS | CODE | DIAMETER EXTERNAL (MM) | DIAMETER INTERNAL (MM) | WHEEL TYPE |
|-----|----------|------------------------|------------------------|------------|
| 1 | PB123370 | 80 | 70 | Cr+S |
| 2 | PB123371 | 80 | 70 | Cr+S |
| 3 | PB123372 | 80 | 70 | Cr+S |
| 4 | PB123373 | 80 | 70 | Cr+S |
| 5 | PB01579 | 80 | 70 | MFP5 |
| 6 | PB02236 | 70 | 60 | Exp |
| 7 | PB02237 | 70 | 60 | Exp |



| POS | CODE | DIAMETER EXTERNAL (MM) | DIAMETER INTERNAL (MM) | WHEEL TYPE |
|-----|----------|------------------------|------------------------|------------|
| 1 | PB123678 | 77 | 60 | Seg |
| 2 | PB123679 | 71 | 60 | Cr+S |
| 3 | PB123680 | 71 | 60 | Cr+S |
| 4 | PB123681 | 71 | 60 | Cr+S |
| 5 | PB01584 | 71 | 60 | MFP5 |
| 6 | PB02251 | 75 | 60 | Exp |
| 7 | PB02252 | 75 | 60 | Exp |

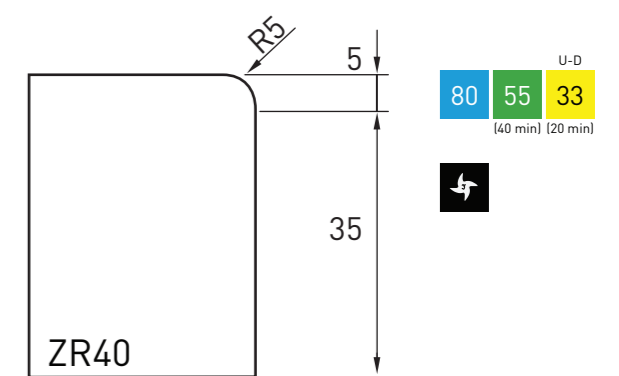
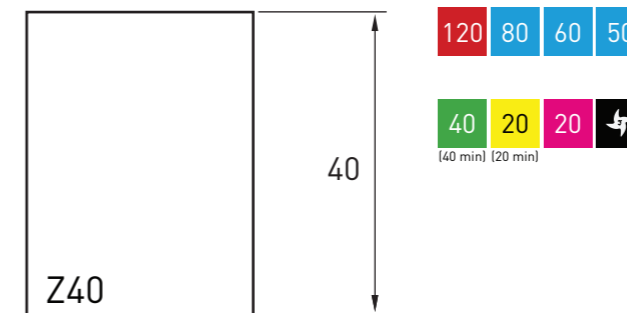
| POS | CODE | DIAMETER EXTERNAL (MM) | DIAMETER INTERNAL (MM) | WHEEL TYPE |
|-----|----------|------------------------|------------------------|------------|
| 1 | PB124123 | 106 | 60 | Seg |
| 2 | PB124124 | 106 | 60 | Cr+S |
| 3 | PB124125 | 106 | 60 | Cr+S |
| 4 | PB124126 | 106 | 60 | Cr+S |
| 5 | PB01563 | 106 | 60 | MFP5 |
| 6 | PB02179 | 107 | 60 | Exp |
| 7 | PB02180 | 107 | 60 | Exp |



*Special order only.

| POS | CODE | DIAMETER EXTERNAL (MM) | DIAMETER INTERNAL (MM) | WHEEL TYPE |
|-----|----------|------------------------|------------------------|------------|
| 1 | PB123036 | 79 | 70 | Cr+S |
| 2 | PB123037 | 79 | 70 | Cr+S |
| 3 | PB123038 | 79 | 70 | Cr+S |
| 4 | PB123039 | 79 | 70 | Cr+S |
| 5 | PB01511 | 79 | 70 | MFP5 |
| 6 | PB02026 | 68 | 60 | Exp |
| 7 | PB02027 | 68 | 60 | Exp |

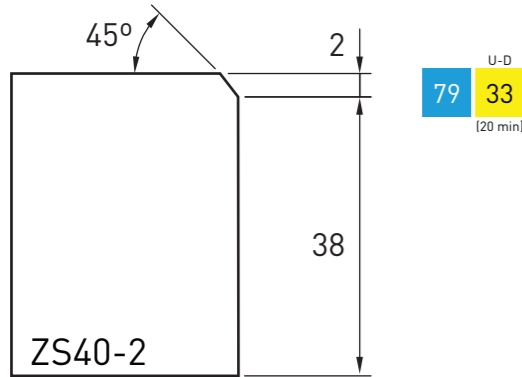
| POS | CODE | DIAMETER EXTERNAL (MM) | DIAMETER INTERNAL (MM) | WHEEL TYPE |
|-----|----------|------------------------|------------------------|------------|
| 1 | PB122895 | 80 | 68 | Cr+S |
| 2 | PB122896 | 80 | 68 | Cr+S |
| 3 | PB122897 | 80 | 68 | Cr+S |
| 4 | PB122898 | 80 | 68 | Cr+S |
| 5 | PB01552 | 80 | 68 | MFP5 |
| 6 | PB02146 | 72 | 60 | Exp |
| 7 | PB02147 | 72 | 60 | Exp |



| POS | CODE | DIAMETER EXTERNAL (MM) | DIAMETER INTERNAL (MM) | WHEEL TYPE |
|-----|----------|------------------------|------------------------|------------|
| 1 | PB122598 | 60 | 80 | Seg |
| 2 | PB122599 | 80 | 80 | Cr+S |
| 3 | PB122600 | 80 | 80 | Cr+S |
| 4 | PB122635 | 80 | 80 | Cr+S |
| 5 | PB01506 | 60 | 80 | MFP5 |
| 6 | PB02441 | 80 | 80 | Exp |
| 7 | PB02442 | 80 | 80 | Exp |

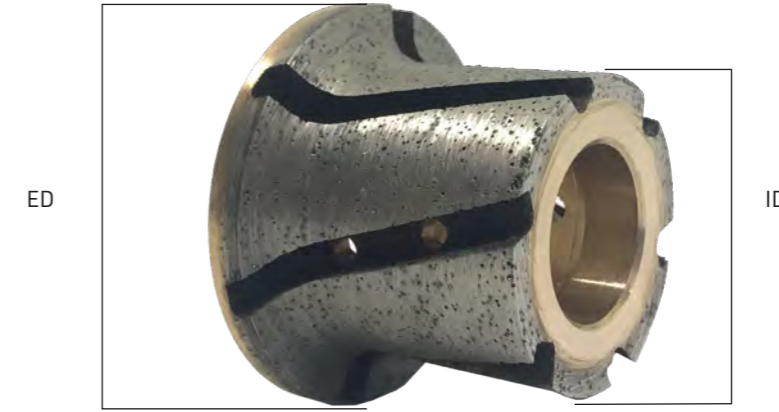
| POS | CODE | DIAMETER EXTERNAL (MM) | DIAMETER INTERNAL (MM) | WHEEL TYPE |
|-----|----------|------------------------|------------------------|------------|
| 1 | PB122899 | 80 | 65 | Cr+S |
| 2 | PB122900 | 80 | 65 | Cr+S |
| 3 | PB122901 | 80 | 65 | Cr+S |
| 4 | PB122902 | 80 | 65 | Cr+S |
| 5 | PB01571 | 80 | 65 | MFP5 |
| 6 | PB02212 | 80 | 60 | Exp |
| 7 | PB02213 | 80 | 60 | Exp |

FASTLINE PROFILE TOOLS



| POS | CODE | DIAMETER EXTERNAL (MM) | DIAMETER INTERNAL (MM) | WHEEL TYPE |
|-----|----------|------------------------|------------------------|------------|
| 1 | PB123686 | 79 | 70 | Cr+S |
| 2 | PB123687 | 79 | 70 | Cr+S |
| 3 | PB123688 | 79 | 70 | Cr+S |
| 4 | PB123689 | 79 | 70 | Cr+S |
| 5 | PB01580 | 79 | 70 | MFP5 |
| 6 | PB02239 | 70 | 60 | Exp |
| 7 | PB02240 | 70 | 60 | Exp |

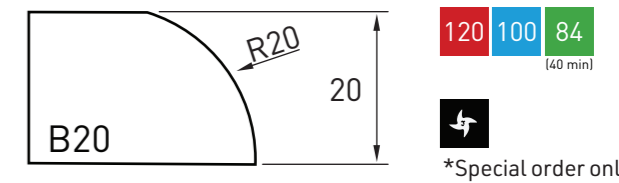
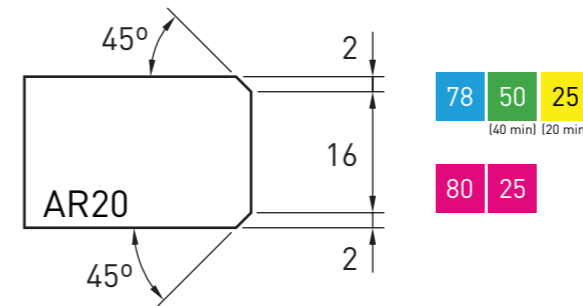
TWISTLINE PROFILE TOOLS



ID - Internal Diameter
ED - External Diameter

OPERATING PARAMETERS FOR WORKING WITH TWISTLINE

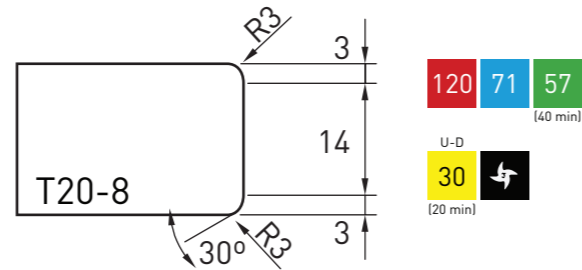
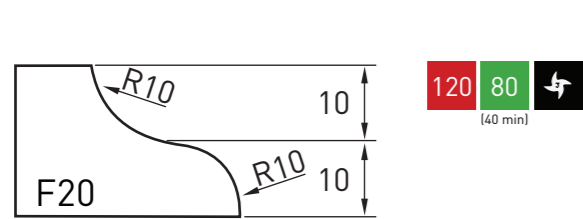
| POS | SLAB THICKNESS (MM) | RPM (MIN-MAX) | FEED SPEED (MM/MIN) | STOCK REMOVAL (MM) | WHEEL TYPE |
|-----|---------------------|---------------|---------------------|--------------------|----------------|
| 1 | 20-30-40 | 5000-6000 | 1500-4000 | To Shape | Segmented |
| 2 | 20-30-40 | 5000-6000 | 1500-9000 | 0.3-0.4 | Continuous Rim |
| 3 | 20-30-40 | 5000-6000 | 1500-9000 | 0.2-0.3 | Continuous Rim |
| 4 | 20-30-40 | 4500-4800 | 1000-2000 | 0.05-0.1 | Continuous Rim |
| 5 | 20-30-40 | 4000-4500 | 1000-1800 | 0.03-0.05 | MFP5 |
| 6 | 20-30-40 | 2500-3000 | 1200-1500 | 0.03-0.05 | Express |
| 7 | 20-30-40 | 2500-2800 | 1000-1200 | 0.03-0.05 | Express |



| POS | CODE | DIAMETER EXTERNAL (MM) | DIAMETER INTERNAL (MM) | WHEEL TYPE |
|-----|----------|------------------------|------------------------|------------|
| 1 | PB161213 | 50 | 40 | Cr+S |
| 2 | PB161214 | 50 | 40 | Cr+S |
| 3 | PB161215 | 50 | 40 | Cr+S |
| 4 | PB161216 | 50 | 40 | Cr+S |
| 5 | PB11503 | 50 | 40 | MFP5 |
| 6 | PB02665 | 48 | 40 | Exp |
| 7 | PB02666 | 48 | 40 | Exp |

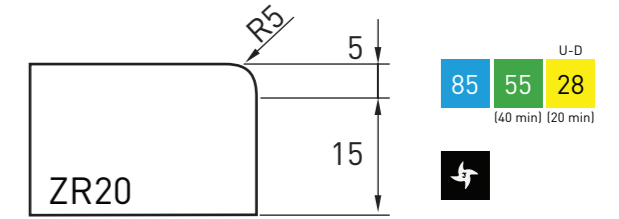
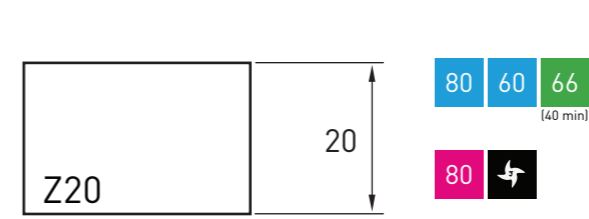
| POS | CODE | DIAMETER EXTERNAL (MM) | DIAMETER INTERNAL (MM) | WHEEL TYPE |
|-----|----------|------------------------|------------------------|------------|
| 1 | PB161169 | 84 | 40 | Seg |
| 2 | PB161170 | 84 | 40 | Cr+S |
| 3 | PB161171 | 84 | 40 | Cr+S |
| 4 | PB161172 | 84 | 40 | Cr+S |
| 5 | PB11531 | 84 | 40 | MFP5 |
| 6 | PB02611 | 85 | 40 | Exp |
| 7 | PB02612 | 85 | 40 | Exp |

TWISTLINE PROFILE TOOLS



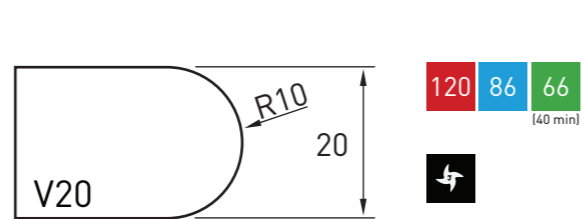
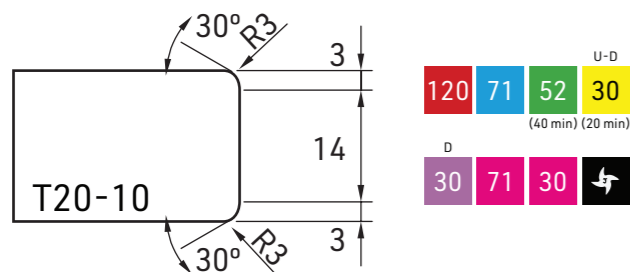
| POS | CODE | DIAMETER EXTERNAL (MM) | DIAMETER INTERNAL (MM) | WHEEL TYPE |
|-----|----------|------------------------|------------------------|------------|
| 1 | PB161296 | 80 | 40 | Seg |
| 2 | PB161297 | 80 | 40 | Cr+S |
| 3 | PB161298 | 80 | 40 | Cr+S |
| 4 | PB161299 | 80 | 40 | Cr+S |
| 5 | PB11507 | 80 | 40 | MFP5 |
| 6 | PB02614 | 80 | 40 | Exp |
| 7 | PB02615 | 80 | 40 | Exp |

| POS | CODE | DIAMETER EXTERNAL (MM) | DIAMETER INTERNAL (MM) | WHEEL TYPE |
|-----|----------|------------------------|------------------------|------------|
| 1 | PB161221 | 57 | 40 | Seg |
| 2 | PB161222 | 57 | 40 | Cr+S |
| 3 | PB161223 | 57 | 40 | Cr+S |
| 4 | PB161224 | 57 | 40 | Cr+S |
| 5 | PB11520 | 57 | 40 | MFP5 |
| 6 | PB02689 | 55 | 40 | Exp |
| 7 | PB02690 | 55 | 40 | Exp |



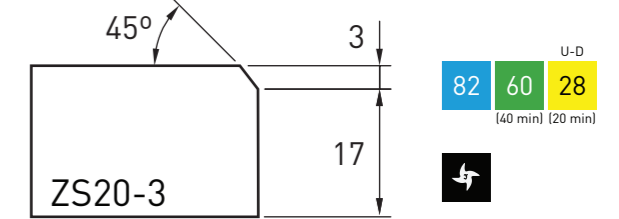
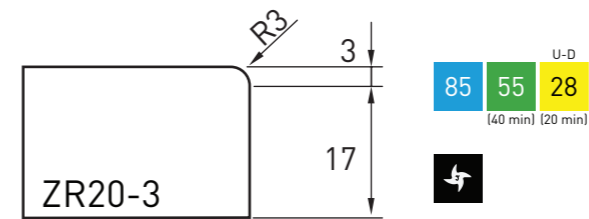
| POS | CODE | DIAMETER EXTERNAL (MM) | DIAMETER INTERNAL (MM) | WHEEL TYPE |
|-----|----------|------------------------|------------------------|------------|
| 1 | PB161113 | 40 | 40 | Seg |
| 2 | PB161114 | 40 | 40 | Cr+S |
| 3 | PB161115 | 40 | 40 | Cr+S |
| 4 | PB161116 | 40 | 40 | Cr+S |
| 5 | PB11510 | 40 | 40 | MFP5 |
| 6 | PB02647 | 40 | 40 | Exp |
| 7 | PB02648 | 40 | 40 | Exp |

| POS | CODE | DIAMETER EXTERNAL (MM) | DIAMETER INTERNAL (MM) | WHEEL TYPE |
|-----|----------|------------------------|------------------------|------------|
| 1 | PB161133 | 55 | 40 | Seg |
| 2 | PB161134 | 55 | 40 | Cr+S |
| 3 | PB161135 | 55 | 40 | Cr+S |
| 4 | PB161136 | 55 | 40 | Cr+S |
| 5 | PB11513 | 55 | 40 | MFP5 |
| 6 | PB02656 | 60 | 40 | Exp |
| 7 | PB02657 | 60 | 40 | Exp |



| POS | CODE | DIAMETER EXTERNAL (MM) | DIAMETER INTERNAL (MM) | WHEEL TYPE |
|-----|----------|------------------------|------------------------|------------|
| 1 | PB161355 | 57 | 40 | Seg |
| 2 | PB161356 | 52 | 40 | Cr+S |
| 3 | PB161357 | 52 | 40 | Cr+S |
| 4 | PB161358 | 52 | 40 | Cr+S |
| 5 | PB11544 | 52 | 40 | MFP5 |
| 6 | PB02730 | 55 | 40 | Exp |
| 7 | PB02731 | 55 | 40 | Exp |

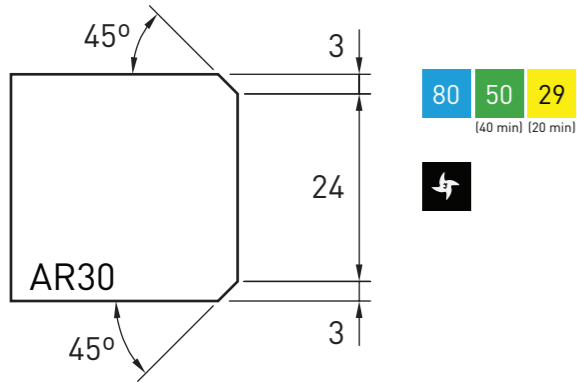
| POS | CODE | DIAMETER EXTERNAL (MM) | DIAMETER INTERNAL (MM) | WHEEL TYPE |
|-----|----------|------------------------|------------------------|------------|
| 1 | PB161121 | 66 | 40 | Seg |
| 2 | PB161122 | 66 | 40 | Cr+S |
| 3 | PB161123 | 66 | 40 | Cr+S |
| 4 | PB161124 | 66 | 40 | Cr+S |
| 5 | PB11560 | 66 | 40 | MFP5 |
| 6 | PB02778 | 66 | 40 | Exp |
| 7 | PB02779 | 66 | 40 | Exp |



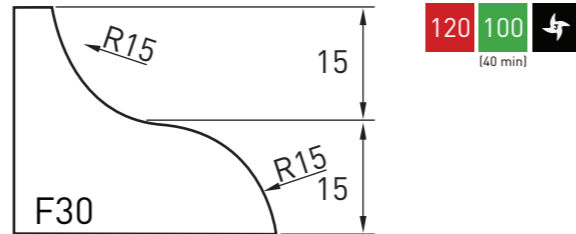
| POS | CODE | DIAMETER EXTERNAL (MM) | DIAMETER INTERNAL (MM) | WHEEL TYPE |
|-----|----------|------------------------|------------------------|------------|
| 1 | PB161285 | 55 | 40 | Seg |
| 2 | PB161286 | 55 | 40 | Cr+S |
| 3 | PB161287 | 55 | 40 | Cr+S |
| 4 | PB161288 | 55 | 40 | Cr+S |
| 5 | PB11561 | 55 | 40 | MFP5 |
| 6 | PB02704 | 60 | 40 | Exp |
| 7 | PB02705 | 60 | 40 | Exp |

| POS | CODE | DIAMETER EXTERNAL (MM) | DIAMETER INTERNAL (MM) | WHEEL TYPE |
|-----|----------|------------------------|------------------------|------------|
| 1 | PB161424 | 60 | 40 | Seg |
| 2 | PB161425 | 60 | 40 | Cr+S |
| 3 | PB161426 | 60 | 40 | Cr+S |
| 4 | PB161427 | 60 | 40 | Cr+S |
| 5 | PB11565 | 60 | 40 | MFP5 |
| 6 | PB02790 | 60 | 40 | Exp |
| 7 | PB02791 | 60 | 40 | Exp |

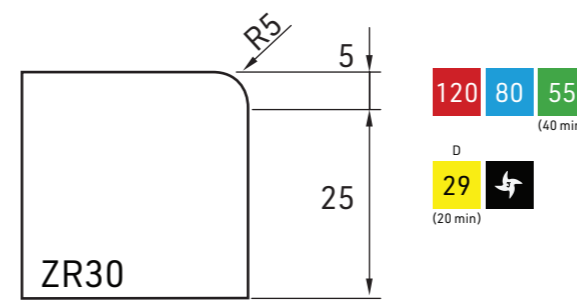
TWISTLINE PROFILE TOOLS



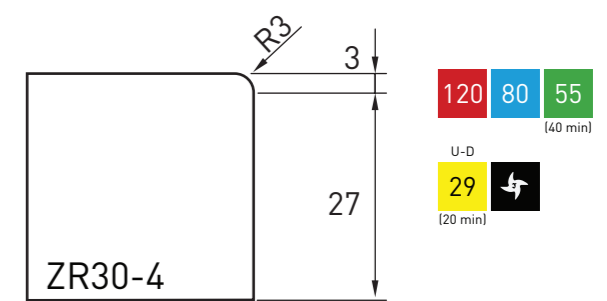
| POS | CODE | DIAMETER EXTERNAL (MM) | DIAMETER INTERNAL (MM) | WHEEL TYPE |
|-----|----------|------------------------|------------------------|------------|
| 1 | PB161185 | 50 | 40 | Seg |
| 2 | PB161186 | 50 | 40 | Cr+S |
| 3 | PB161187 | 50 | 40 | Cr+S |
| 4 | PB161188 | 50 | 40 | Cr+S |
| 5 | PB11504 | 50 | 40 | MFP5 |
| 6 | PB02668 | 50 | 40 | Exp |
| 7 | PB02669 | 50 | 40 | Exp |



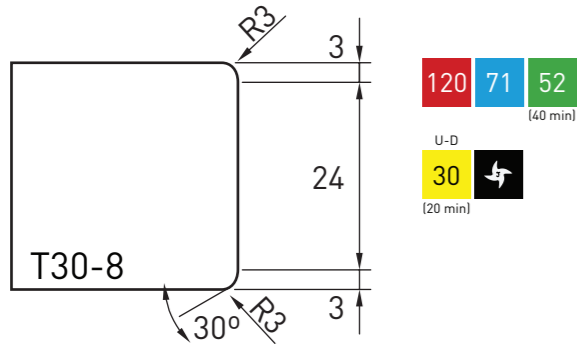
| POS | CODE | DIAMETER EXTERNAL (MM) | DIAMETER INTERNAL (MM) | WHEEL TYPE |
|-----|----------|------------------------|------------------------|------------|
| 1 | PB161269 | 100 | 40 | Seg |
| 2 | PB161270 | 100 | 40 | Cr+S |
| 3 | PB161271 | 100 | 40 | Cr+S |
| 4 | PB161272 | 100 | 40 | Cr+S |
| 5 | PB11508 | 100 | 40 | MFP5 |
| 6 | PB02620 | 100 | 40 | Exp |
| 7 | PB02621 | 100 | 40 | Exp |



| POS | CODE | DIAMETER EXTERNAL (MM) | DIAMETER INTERNAL (MM) | WHEEL TYPE |
|-----|----------|------------------------|------------------------|------------|
| 1 | PB161101 | 55 | 40 | Cr+S |
| 2 | PB161102 | 55 | 40 | Cr+S |
| 3 | PB161103 | 55 | 40 | Cr+S |
| 4 | PB161104 | 55 | 40 | Cr+S |
| 5 | PB11514 | 55 | 40 | MFP5 |
| 6 | PB02659 | 60 | 40 | Exp |
| 7 | PB02660 | 60 | 40 | Exp |



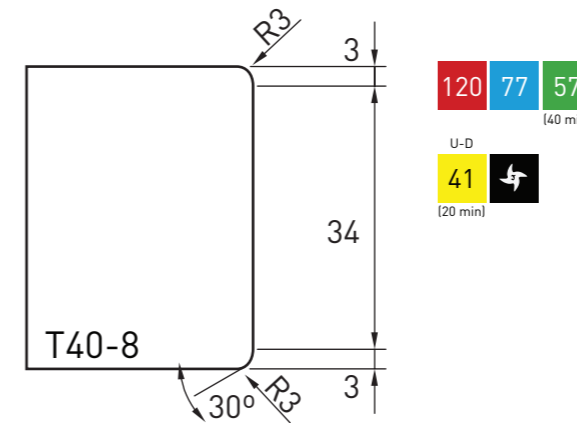
| POS | CODE | DIAMETER EXTERNAL (MM) | DIAMETER INTERNAL (MM) | WHEEL TYPE |
|-----|----------|------------------------|------------------------|------------|
| 1 | PB161451 | 55 | 40 | Cr+S |
| 2 | PB161452 | 55 | 40 | Cr+S |
| 3 | PB161453 | 55 | 40 | Cr+S |
| 4 | PB161454 | 55 | 40 | Cr+S |
| 5 | PB11513 | 55 | 40 | MFP5 |
| 6 | PB02257 | 60 | 40 | Exp |
| 7 | PB02258 | 60 | 40 | Exp |



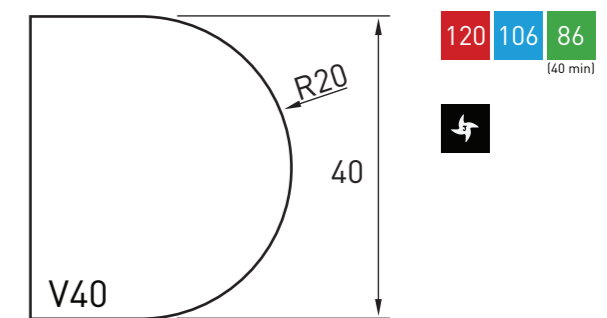
| POS | CODE | DIAMETER EXTERNAL (MM) | DIAMETER INTERNAL (MM) | WHEEL TYPE |
|-----|----------|------------------------|------------------------|------------|
| 1 | PB161225 | 57 | 40 | Seg |
| 2 | PB161226 | 52 | 40 | Cr+S |
| 3 | PB161227 | 52 | 40 | Cr+S |
| 4 | PB161228 | 52 | 40 | Cr+S |
| 5 | PB011521 | 52 | 40 | MFP5 |
| 6 | PB02671 | 55 | 40 | Exp |
| 7 | PB02672 | 55 | 40 | Exp |



| POS | CODE | DIAMETER EXTERNAL (MM) | DIAMETER INTERNAL (MM) | WHEEL TYPE |
|-----|---------|------------------------|------------------------|------------|
| 1 | PB16886 | 40 | 40 | Seg |
| 2 | PB16887 | 40 | 40 | Cr+S |
| 3 | PB16888 | 40 | 40 | Cr+S |
| 4 | PB16889 | 40 | 40 | Cr+S |
| 5 | PB11511 | 40 | 40 | MFP5 |
| 6 | PB02605 | 40 | 40 | Exp |
| 7 | PB02605 | 40 | 40 | Exp |

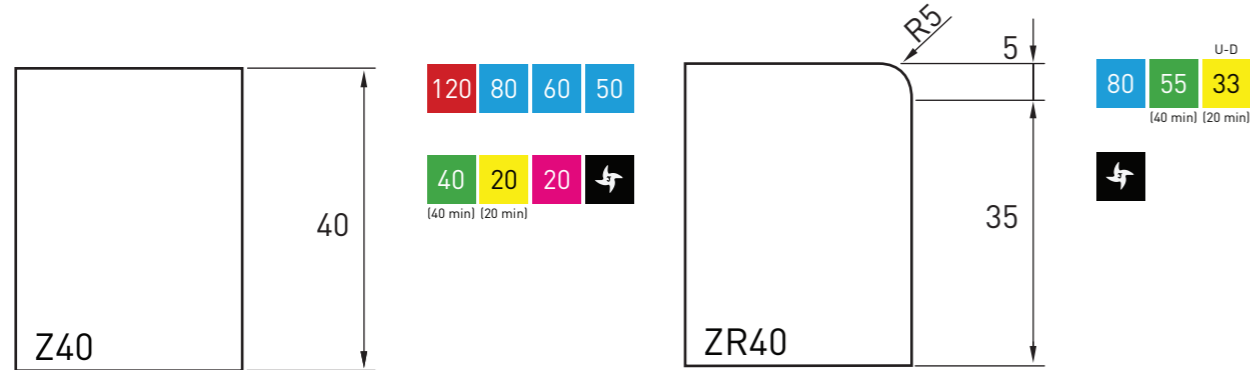


| POS | CODE | DIAMETER EXTERNAL (MM) | DIAMETER INTERNAL (MM) | WHEEL TYPE |
|-----|----------|------------------------|------------------------|------------|
| 1 | PB161312 | 57 | 40 | Seg |
| 2 | PB161313 | 57 | 40 | Cr+S |
| 3 | PB161314 | 57 | 40 | Cr+S |
| 4 | PB161315 | 57 | 40 | Cr+S |
| 5 | PB11530 | 57 | 40 | MFP5 |
| 6 | PB02701 | 55 | 40 | Exp |
| 7 | PB02702 | 55 | 40 | Exp |



| POS | CODE | DIAMETER EXTERNAL (MM) | DIAMETER INTERNAL (MM) | WHEEL TYPE |
|-----|----------|------------------------|------------------------|------------|
| 1 | PB161129 | 86 | 40 | Seg |
| 2 | PB161130 | 86 | 40 | Cr+S |
| 3 | PB161131 | 86 | 40 | Cr+S |
| 4 | PB161132 | 86 | 40 | Cr+S |
| 5 | PB11528 | 86 | 40 | MFP5 |
| 6 | PB02644 | 88 | 40 | Exp |
| 7 | PB02645 | 88 | 40 | Exp |

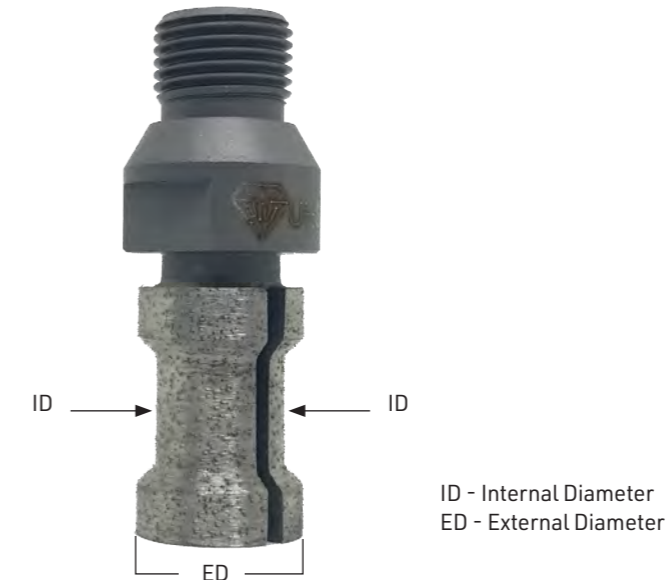
TWISTLINE PROFILE TOOLS



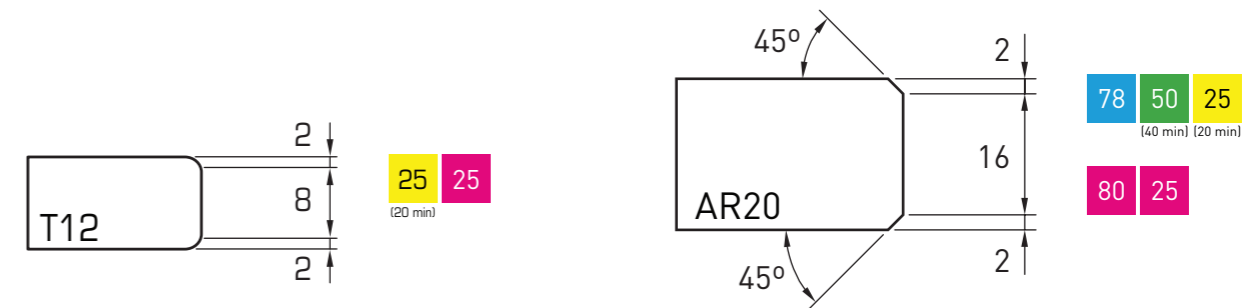
| POS | CODE | DIAMETER EXTERNAL (MM) | DIAMETER INTERNAL (MM) | WHEEL TYPE |
|-----|----------|------------------------|------------------------|------------|
| 1 | PB161117 | 40 | 40 | Seg |
| 2 | PB161118 | 40 | 40 | Cr+S |
| 3 | PB161119 | 40 | 40 | Cr+S |
| 4 | PB161120 | 40 | 40 | Cr+S |
| 5 | PB11512 | 40 | 40 | MFP5 |
| 6 | PB02653 | 40 | 40 | Exp |
| 7 | PB02654 | 40 | 40 | Exp |

| POS | CODE | DIAMETER EXTERNAL (MM) | DIAMETER INTERNAL (MM) | WHEEL TYPE |
|-----|----------|------------------------|------------------------|------------|
| 1 | PB161137 | 55 | 40 | Seg |
| 2 | PB161138 | 55 | 40 | Cr+S |
| 3 | PB161139 | 55 | 40 | Cr+S |
| 4 | PB161140 | 55 | 40 | Cr+S |
| 5 | PB11515 | 55 | 40 | MFP5 |
| 6 | PB02635 | 55 | 40 | Exp |
| 7 | PB02636 | 55 | 40 | Exp |

MICRONLINE PROFILE TOOLS



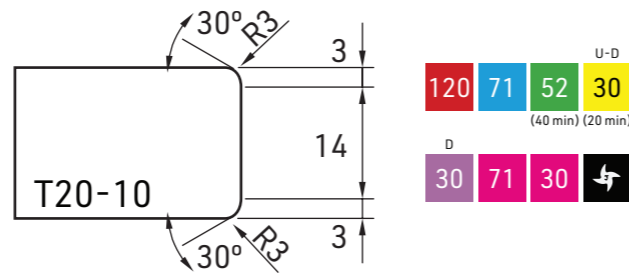
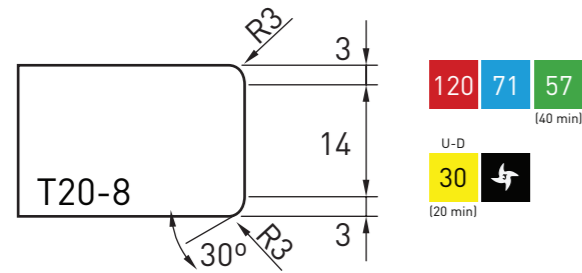
| OPERATING PARAMETERS FOR WORKING WITH MICRONLINE | | | | | |
|--|---------------------|---------------|---------------------|--------------------|------------|
| POS | SLAB THICKNESS (MM) | RPM (MIN-MAX) | FEED SPEED (MM/MIN) | STOCK REMOVAL (MM) | WHEEL TYPE |
| 1 | 20-30-40 | 6000-7000 | 750-1250 | To Shape | Segmented |
| 2 | 20-30-40 | 6000-7000 | 750-1250 | 0.2-0.3 | Segmented |
| 3 | 20-30-40 | 6000-7000 | 750-1250 | 0.15-0.2 | Segmented |
| 4 | 20-30-40 | 5500-6000 | 750-1000 | 0.05 | Segmented |
| 5 | 20-30-40 | 3800-4200 | 750-1000 | 0.03-0.05 | Eraser |
| MFP5 | 20-30-40 | 3800-4200 | 750-1000 | 0.03-0.05 | MFP5 |
| 6 | 20-30-40 | 3300-3800 | 750-1000 | 0.03-0.05 | Express |
| 7 | 20-30-40 | 3300-3800 | 750-1000 | Pressure | Express |



| POS | CODE | DIAMETER EXTERNAL (MM) | DIAMETER INTERNAL (MM) | WHEEL TYPE |
|------|----------|------------------------|------------------------|------------|
| 1 | PB201169 | 25 | 20 | Twin Seg |
| 2 | PB201170 | 25 | 20 | Twin Seg |
| 3 | PB201171 | 25 | 20 | Twin Seg |
| 4 | PB201172 | 25 | 20 | Twin Seg |
| 5 | PB38502 | 20 | 20 | Eraser |
| MFP5 | PB015018 | 25 | 20 | MFP5 |
| 6 | PB021195 | 25 | 20 | Exp |
| 7 | PB021196 | 25 | 20 | Exp |

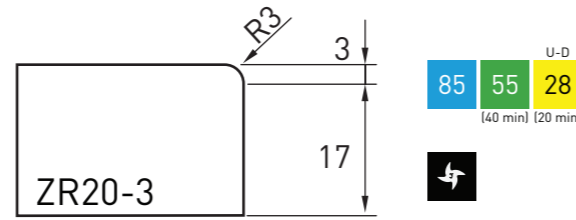
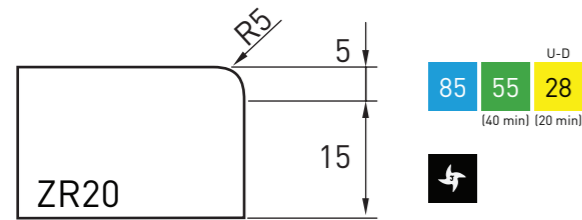
| POS | CODE | DIAMETER EXTERNAL (MM) | DIAMETER INTERNAL (MM) | WHEEL TYPE |
|------|----------|------------------------|------------------------|------------|
| 1 | PB20593 | 25 | 20 | Twin Seg |
| 2 | PB20594 | 25 | 20 | Twin Seg |
| 3 | PB20595 | 25 | 20 | Twin Seg |
| 4 | PB20596 | 25 | 20 | Twin Seg |
| 5 | PB38502 | 20 | 20 | Eraser |
| MFP5 | PB015008 | 20 | 20 | MFP5 |
| 6 | PB021005 | 28 | 20 | Exp |
| 7 | PB021006 | 28 | 20 | Exp |

MICRONLINE PROFILE TOOLS



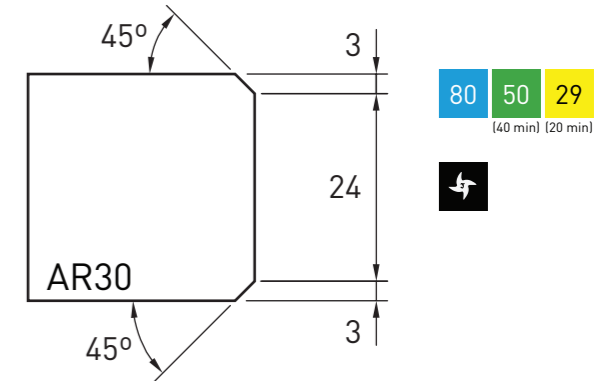
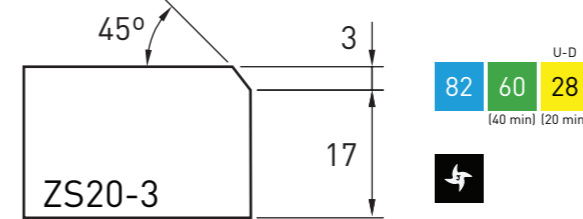
| POS | CODE (FACE UP) | DIAMETER EXTERNAL (MM) | DIAMETER INTERNAL (MM) | WHEEL TYPE |
|------|----------------|------------------------|------------------------|------------|
| 1 | PB201041 | 30 | 20 | Twin Seg |
| 2 | PB201042 | 30 | 20 | Twin Seg |
| 3 | PB201043 | 30 | 20 | Twin Seg |
| 4 | PB201044 | 30 | 20 | Twin Seg |
| 5 | PB38502 | 20 | 20 | Eraser |
| MFP5 | PB015006 | 20 | 20 | MFP5 |
| 6 | PB021066 | 37 | 20 | Exp |
| 7 | PB021067 | 37 | 20 | Exp |

| POS | CODE | DIAMETER EXTERNAL (MM) | DIAMETER INTERNAL (MM) | WHEEL TYPE |
|------|----------|------------------------|------------------------|------------|
| 1 | PB20838 | 30 | 20 | Twin Seg |
| 2 | PB20839 | 30 | 20 | Twin Seg |
| 3 | PB20840 | 30 | 20 | Twin Seg |
| 4 | PB20841 | 30 | 20 | Twin Seg |
| 5 | PB38502 | 20 | 20 | Eraser |
| MFP5 | PB015006 | 20 | 20 | MFP5 |
| 6 | PB021150 | 37 | 20 | Exp |
| 7 | PB021151 | 37 | 20 | Exp |



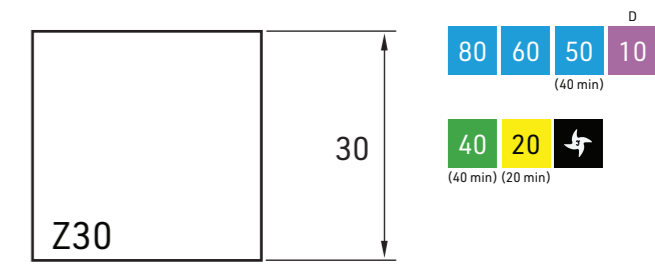
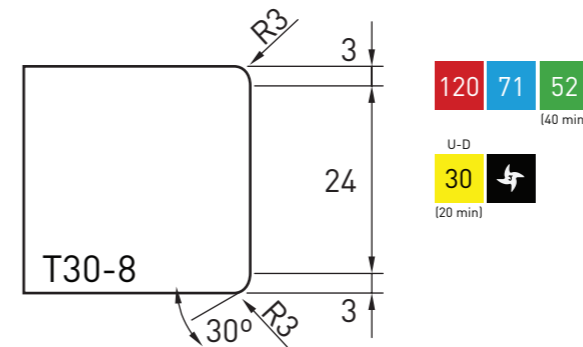
| POS | CODE (FACE UP) | CODE (FACE DOWN) | DIAMETER EXTERNAL (MM) | DIAMETER INTERNAL (MM) | WHEEL TYPE |
|------|----------------|------------------|------------------------|------------------------|------------|
| 1 | PB201045 | PB201049 | 30 | 20 | Twin Seg |
| 2 | PB201046 | PB201050 | 30 | 20 | Twin Seg |
| 3 | PB201047 | PB201051 | 30 | 20 | Twin Seg |
| 4 | PB201048 | PB201052 | 30 | 20 | Twin Seg |
| 5 | PB38502 | PB38502 | 20 | 20 | Eraser |
| MFP5 | N/A | PB015028 | 20 | 20 | MFP5 |
| 6 | PB021020 | PB021023 | 30 | 20 | Exp |
| 7 | PB021021 | PB021024 | 30 | 20 | Exp |

| POS | CODE (FACE UP) | CODE (FACE DOWN) | DIAMETER EXTERNAL (MM) | DIAMETER INTERNAL (MM) | WHEEL TYPE |
|------|----------------|------------------|------------------------|------------------------|------------|
| 1 | PB201053 | PB201057 | 30 | 20 | Twin Seg |
| 2 | PB201054 | PB201058 | 30 | 20 | Twin Seg |
| 3 | PB201055 | PB201059 | 30 | 20 | Twin Seg |
| 4 | PB201056 | PB201060 | 30 | 20 | Twin Seg |
| 5 | PB38502 | PB38502 | 20 | 20 | Eraser |
| MFP5 | N/A | PB015028 | 20 | 20 | MFP5 |
| 6 | PB021126 | PB021168 | 30 | 20 | Exp |
| 7 | PB021127 | PB021169 | 30 | 20 | Exp |



| POS | CODE (FACE UP) | CODE (FACE DOWN) | DIAMETER EXTERNAL (MM) | DIAMETER INTERNAL (MM) | WHEEL TYPE |
|------|----------------|------------------|------------------------|------------------------|------------|
| 1 | PB201077 | PB201081 | 30 | 20 | Twin Seg |
| 2 | PB201078 | PB201082 | 30 | 20 | Twin Seg |
| 3 | PB201079 | PB201083 | 30 | 20 | Twin Seg |
| 4 | PB201080 | PB201084 | 30 | 20 | Twin Seg |
| 5 | PB38502 | PB38502 | 20 | 20 | Eraser |
| MFP5 | N/A | PB015036 | 20 | 20 | MFP5 |
| 6 | PB021044 | PB021047 | 32 | 20 | Exp |
| 7 | PB021045 | PB021048 | 32 | 20 | Exp |

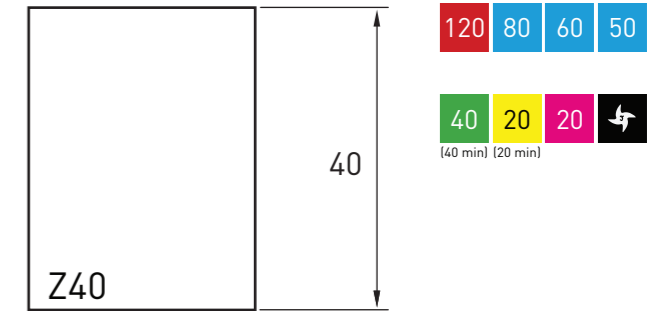
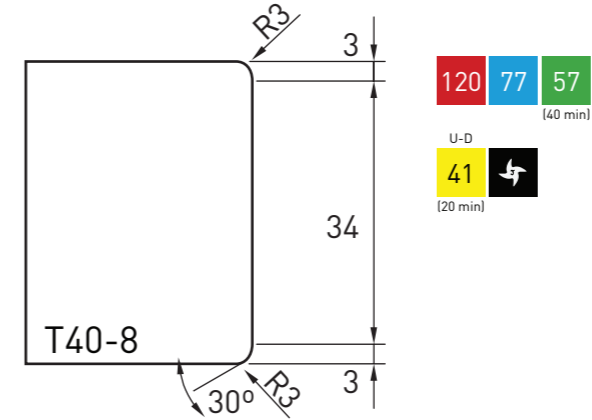
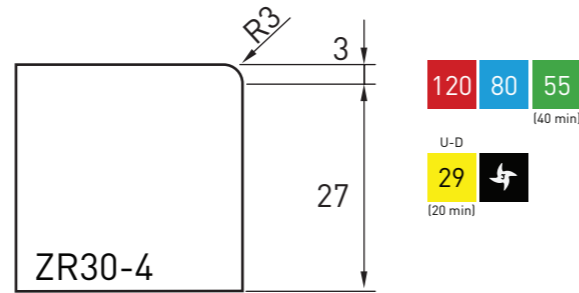
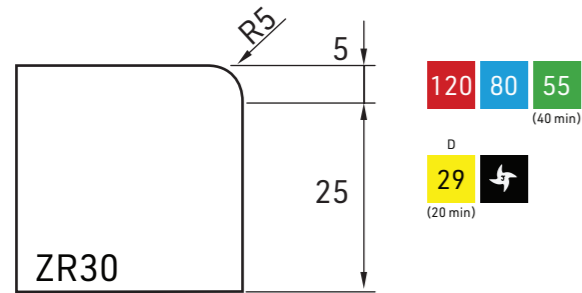
| POS | CODE | DIAMETER EXTERNAL (MM) | DIAMETER INTERNAL (MM) | WHEEL TYPE |
|------|----------|------------------------|------------------------|------------|
| 1 | PB201085 | 30 | 20 | Twin Seg |
| 2 | PB201086 | 30 | 20 | Twin Seg |
| 3 | PB201087 | 30 | 20 | Twin Seg |
| 4 | PB201088 | 30 | 20 | Twin Seg |
| 5 | PB38502 | 20 | 20 | Eraser |
| MFP5 | PB015009 | 20 | 20 | MFP5 |
| 6 | PB021008 | 30 | 20 | Exp |
| 7 | PB021009 | 30 | 20 | Exp |



| POS | CODE (FACE UP) | DIAMETER EXTERNAL (MM) | DIAMETER INTERNAL (MM) | WHEEL TYPE |
|------|----------------|------------------------|------------------------|------------|
| 1 | PB201093 | 29 | 20 | Twin Seg |
| 2 | PB201094 | 29 | 20 | Twin Seg |
| 3 | PB201095 | 29 | 20 | Twin Seg |
| 4 | PB201096 | 29 | 20 | Twin Seg |
| 5 | PB38502 | 20 | 20 | Eraser |
| MFP5 | PB015041 | 20 | 20 | MFP5 |
| 6 | PB021069 | 35 | 20 | Exp |
| 7 | PB021070 | 35 | 20 | Exp |

| POS | CODE | DIAMETER EXTERNAL (MM) | DIAMETER INTERNAL (MM) | WHEEL TYPE |
|------|----------|------------------------|------------------------|------------|
| 1 | PB20496 | 20 | 20 | Twin Seg |
| 2 | PB20497 | 20 | 20 | Twin Seg |
| 3 | PB20498 | 20 | 20 | Twin Seg |
| 4 | PB20523 | 20 | 20 | Twin Seg |
| 5 | PB38502 | 20 | 20 | Eraser |
| MFP5 | N/A | N/A | N/A | MFP5 |
| 6 | PB021002 | 20 | 20 | Exp |
| 7 | PB021003 | 20 | 20 | Exp |

MICRONLINE PROFILE TOOLS

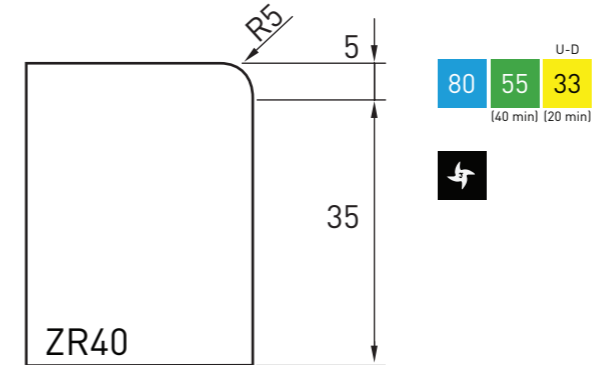
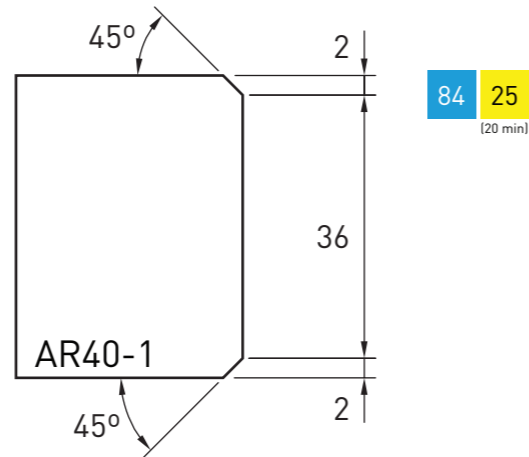
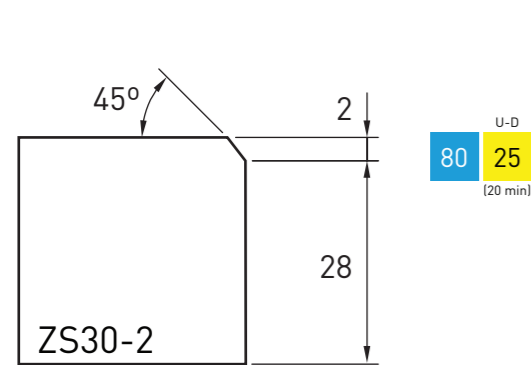


| POS | CODE (FACE UP) | CODE (FACE DOWN) | DIAMETER EXTERNAL (MM) | DIAMETER INTERNAL (MM) | WHEEL TYPE |
|------|----------------|------------------|------------------------|------------------------|------------|
| 1 | PB201097 | PB201101 | 30 | 20 | Twin Seg |
| 2 | PB201098 | PB201102 | 30 | 20 | Twin Seg |
| 3 | PB201099 | PB201103 | 30 | 20 | Twin Seg |
| 4 | PB201100 | PB201104 | 30 | 20 | Twin Seg |
| 5 | PB38502 | PB38502 | 20 | 20 | Eraser |
| MFP5 | N/A | PB015068 | 20 | 20 | MFP5 |
| 6 | PB021026 | PB021029 | 30 | 20 | Exp |
| 7 | PB021027 | PB021030 | 30 | 20 | Exp |

| POS | CODE (FACE UP) | CODE (FACE DOWN) | DIAMETER EXTERNAL (MM) | DIAMETER INTERNAL (MM) | WHEEL TYPE |
|------|----------------|------------------|------------------------|------------------------|------------|
| 1 | PB201105 | PB201109 | 30 | 20 | Twin Seg |
| 2 | PB201106 | PB201110 | 30 | 20 | Twin Seg |
| 3 | PB201107 | PB201111 | 30 | 20 | Twin Seg |
| 4 | PB201108 | PB201112 | 30 | 20 | Twin Seg |
| 5 | PB38502 | PB38502 | 20 | 20 | Eraser |
| MFP5 | N/A | PB015007 | 20 | 20 | MFP5 |
| 6 | PB021129 | PB021085 | 30 | 20 | Exp |
| 7 | PB021130 | PB021086 | 30 | 20 | Exp |

| POS | CODE (FACE UP) | DIAMETER EXTERNAL (MM) | DIAMETER INTERNAL (MM) | WHEEL TYPE |
|------|----------------|------------------------|------------------------|------------|
| 1 | PB201137 | 29 | 20 | Twin Seg |
| 2 | PB201138 | 29 | 20 | Twin Seg |
| 3 | PB201139 | 29 | 20 | Twin Seg |
| 4 | PB201140 | 29 | 20 | Twin Seg |
| 5 | PB38501 | 20 | 20 | Eraser |
| MFP5 | PB015073 | 20 | 20 | MFP5 |
| 6 | PB021072 | 37 | 20 | Exp |
| 7 | PB021073 | 37 | 20 | Exp |

| POS | CODE | DIAMETER EXTERNAL (MM) | DIAMETER INTERNAL (MM) | WHEEL TYPE |
|------|----------|------------------------|------------------------|------------|
| 1 | PB20511 | 20 | 20 | Twin Seg |
| 2 | PB20512 | 20 | 20 | Twin Seg |
| 3 | PB20513 | 20 | 20 | Twin Seg |
| 4 | PB20524 | 20 | 20 | Twin Seg |
| 5 | PB38501 | 20 | 20 | Eraser |
| MFP5 | N/A | N/A | N/A | MFP5 |
| 6 | PB021002 | 20 | 20 | Exp |
| 7 | PB021003 | 20 | 20 | Exp |



| POS | CODE (FACE UP) | CODE (FACE DOWN) | DIAMETER EXTERNAL (MM) | DIAMETER INTERNAL (MM) | WHEEL TYPE |
|------|----------------|------------------|------------------------|------------------------|------------|
| 1 | PB20581 | PB20577 | 26 | 20 | Twin Seg |
| 2 | PB20582 | PB20578 | 26 | 20 | Twin Seg |
| 3 | PB20583 | PB20579 | 26 | 20 | Twin Seg |
| 4 | PB20584 | PB20580 | 26 | 20 | Twin Seg |
| 5 | PB38502 | PB38502 | 20 | 20 | Eraser |
| MFP5 | N/A | PB015064 | 20 | 20 | MFP5 |
| 6 | PB021044 | PB021047 | 32 | 20 | Exp |
| 7 | PB020045 | PB021048 | 32 | 20 | Exp |

| POS | CODE | DIAMETER EXTERNAL (MM) | DIAMETER INTERNAL (MM) | WHEEL TYPE |
|------|----------|------------------------|------------------------|------------|
| 1 | PB20610 | 26 | 20 | Twin Seg |
| 2 | PB20611 | 26 | 20 | Twin Seg |
| 3 | PB20612 | 26 | 20 | Twin Seg |
| 4 | PB20613 | 26 | 20 | Twin Seg |
| 5 | PB38501 | 20 | 20 | Eraser |
| MFP5 | N/A | N/A | N/A | MFP5 |
| 6 | PB021105 | 28 | 20 | Exp |
| 7 | PB021106 | 28 | 20 | Exp |

| POS | CODE (FACE UP) | CODE (FACE DOWN) | DIAMETER EXTERNAL (MM) | DIAMETER INTERNAL (MM) | WHEEL TYPE |
|------|----------------|------------------|------------------------|------------------------|------------|
| 1 | PB20441 | PB20453 | 33 | 20 | Twin Seg |
| 2 | PB20442 | PB20454 | 33 | 20 | Twin Seg |
| 3 | PB20443 | PB20455 | 33 | 20 | Twin Seg |
| 4 | PB20444 | PB20456 | 33 | 20 | Twin Seg |
| 5 | PB38501 | PB38501 | 20 | 20 | Eraser |
| MFP5 | N/A | N/A | N/A | N/A | MFP5 |
| 6 | PB021032 | PB021035 | 33 | 20 | Exp |
| 7 | PB021033 | PB021036 | 33 | 20 | Exp |

NANOLINE PROFILE TOOLS

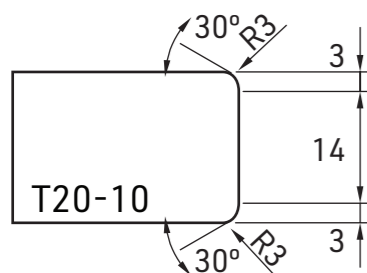


ID - Internal Diameter
ED - External Diameter



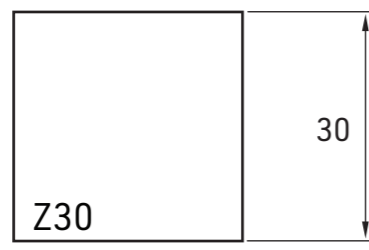
OPERATING PARAMETERS FOR WORKING WITH NANOLINE

| POS | CODE | DIAMETER EXTERNAL (MM) | DIAMETER INTERNAL (MM) | SLAB THICKNESS (MM) | RPM (MIN-MAX) | FEED SPEED (MM/MIN) | STOCK REMOVAL (MM) | WHEEL TYPE |
|-----|----------|------------------------|------------------------|---------------------|---------------|---------------------|--------------------|------------|
| 1 | PB52092 | 10 | 10 | 20-30 | 6000-7000 | 600-1000 | To Shape | Router |
| 2 | PB50117 | 10 | 10 | 20-30 | 6000-7000 | 600-1000 | 0.2-0.3 | Router |
| 3 | PB50118 | 10 | 10 | 20-30 | 6000-7000 | 600-1000 | 0.15-0.2 | Router |
| 6 | PB021398 | 10 | 10 | 20-30 | 3300-3800 | 750-1000 | 0.03-0.05 | Express |
| 7 | PB021399 | 10 | 10 | 20-30 | 3300-3800 | 750-1000 | Pressure | Express |



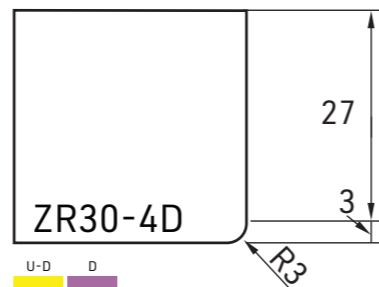
U-D
120 71 52 30
(40 min) (20 min)

D
30 71 30 ↻



D
80 60 50 10
(40 min)

40 20 ↻
(40 min) (20 min)



U-D D
30 25
(20 min)

| POS | CODE | DIAMETER EXTERNAL (MM) | DIAMETER INTERNAL (MM) |
|-----|---------|------------------------|------------------------|
| 1 | PB52092 | 30 | 20 |
| 2 | PB50117 | 30 | 20 |
| 3 | PB50118 | 30 | 20 |

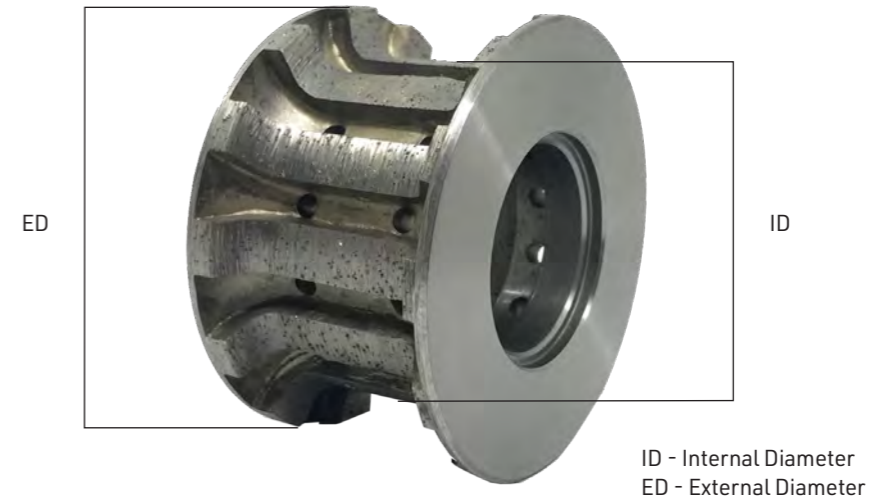
| POS | CODE | DIAMETER EXTERNAL (MM) | DIAMETER INTERNAL (MM) |
|-----|---------|------------------------|------------------------|
| 1 | PB52092 | 10 | 10 |
| 2 | PB50117 | 10 | 10 |
| 3 | PB50118 | 10 | 10 |

| POS | CODE | DIAMETER EXTERNAL (MM) | DIAMETER INTERNAL (MM) |
|-----|---------|------------------------|------------------------|
| 1 | PB52092 | 25 | 10 |
| 2 | PB50117 | 25 | 10 |
| 3 | PB50118 | 25 | 10 |

UCSLINE PROFILE TOOLS

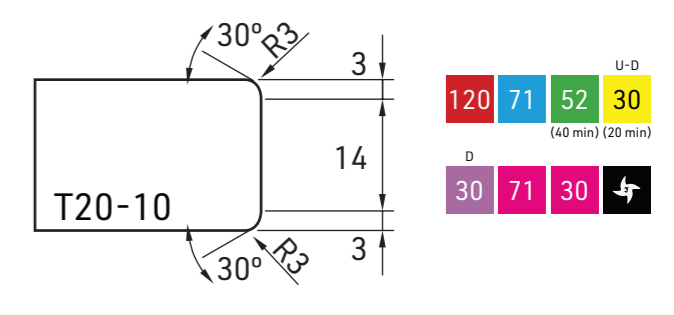
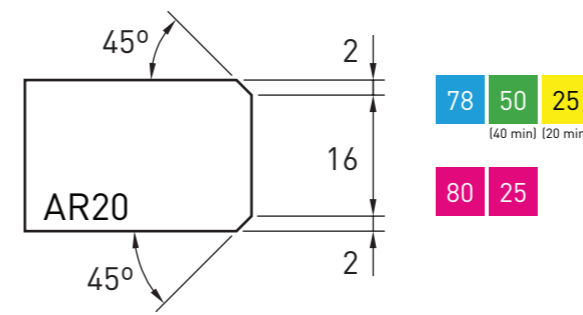


CNC / NANOLINE PROFILE TOOLS + UCSLINE PROFILE TOOLS



OPERATING PARAMETERS FOR WORKING WITH UCSLINE-FASTLINE

| POS | SLAB THICKNESS (MM) | RPM (MIN-MAX) | FEED SPEED (MM/MIN) | STOCK REMOVAL (MM) | WHEEL TYPE |
|-----|---------------------|---------------|---------------------|--------------------|----------------|
| 1 | 12-20 | 5500 | 400 | To Shape | Segmented |
| 2 | 12-20 | 5500 | 800 | 0.3 | Continuous Rim |
| 3 | 12-20 | 5500 | 800 | 0.1 | Continuous Rim |
| 4 | 12-20 | 5500 | 800 | 0.05-0.1 | Continuous Rim |
| 5 | 12-20 | 2500-3000 | 1200-1500 | 0.03-0.05 | Express |
| 6 | 12-20 | 2500-3000 | 1200-1500 | 0.03-0.05 | Express |
| 7 | 12-20 | 2500-3000 | 1200-1500 | 0.03-0.05 | Express |



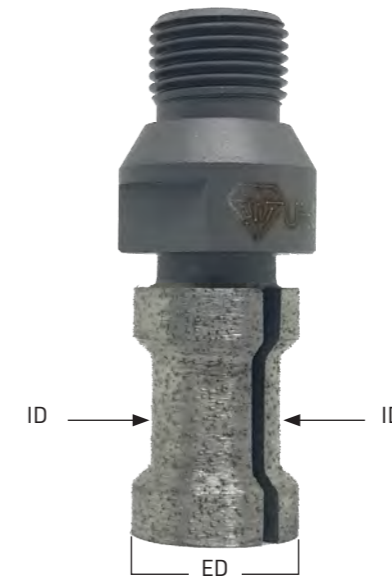
| POS | CODE | DIAMETER EXTERNAL (MM) | DIAMETER INTERNAL (MM) | WHEEL TYPE |
|-----|---------|------------------------|------------------------|------------|
| 1 | MT91005 | 78 | 70 | Cr+S |
| 2 | MT91006 | 78 | 70 | Cr+S |
| 3 | MT91007 | 78 | 70 | Cr+S |
| 4 | MT91114 | 78 | 70 | Cr+S |
| 5 | PB02013 | 68 | 60 | Exp |
| 6 | PB02014 | 68 | 60 | Exp |
| 7 | PB02015 | 68 | 60 | Exp |

| POS | CODE | DIAMETER EXTERNAL (MM) | DIAMETER INTERNAL (MM) | WHEEL TYPE |
|-----|----------|------------------------|------------------------|------------|
| 1 | MT91016 | 71 | 60 | Seg |
| 2 | MT91017 | 71 | 60 | Cr+S |
| 3 | MT91018 | 71 | 60 | Cr+S |
| 4 | MT91143 | 71 | 60 | Cr+S |
| 5 | PB021349 | 75 | 60 | Exp |
| 6 | PB021350 | 75 | 60 | Exp |
| 7 | PB021351 | 75 | 60 | Exp |

UCSLINE PROFILE TOOLS

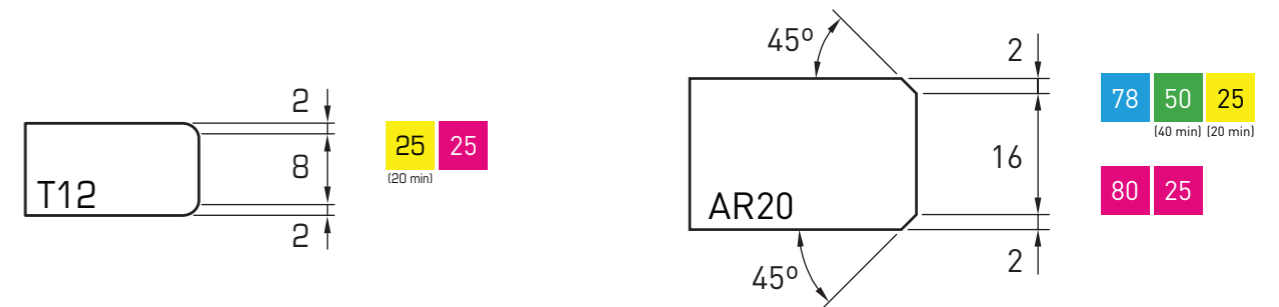


| POS | CODE | DIAMETER EXTERNAL (MM) | DIAMETER INTERNAL (MM) | WHEEL TYPE |
|-----|---------|------------------------|------------------------|------------|
| 1 | MT91008 | 80 | 80 | Seg |
| 2 | MT91009 | 80 | 80 | Cr+S |
| 3 | MT91010 | 80 | 80 | Cr+S |
| 4 | MT91144 | 80 | 80 | Cr+S |
| 5 | PB02403 | 80 | 80 | Exp |
| 6 | PB02404 | 80 | 80 | Exp |
| 7 | PB02405 | 80 | 80 | Exp |



ID - Internal Diameter
ED - External Diameter

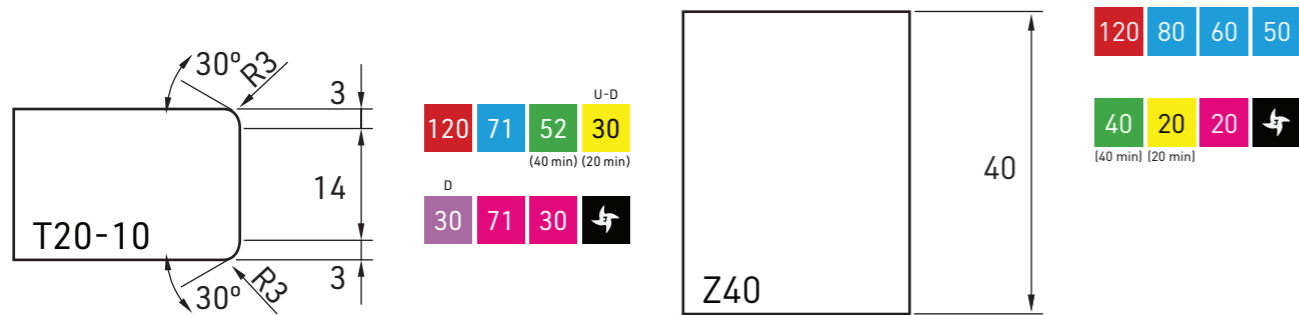
| OPERATING PARAMETERS FOR WORKING WITH UCSLINE-MICRONLINE | | | | | |
|--|---------------------|---------------|---------------------|--------------------|------------|
| POS | SLAB THICKNESS (MM) | RPM (MIN-MAX) | FEED SPEED (MM/MIN) | STOCK REMOVAL (MM) | WHEEL TYPE |
| 1 | 12-20-40 | 6500 | 1500-3000 | To Shape | Segmented |
| 2 | 12-20-40 | 6500 | 1500-4000 | 0.2-0.3 | Segmented |
| 3 | 12-20-40 | 6500 | 1500-4000 | 0.15-0.2 | Segmented |
| 4 | 12-20-40 | 5800 | 1000-1500 | 0.05 | Segmented |
| 5 | 12-20-40 | 5500 | 600 | 0.03-0.05 | Express |
| 6 | 12-20-40 | 3500 | 600 | 0.03-0.05 | Express |
| 7 | 12-20-40 | 3500 | 600 | 0.03-0.05 | Express |



| POS | CODE | DIAMETER EXTERNAL (MM) | DIAMETER INTERNAL (MM) | WHEEL TYPE |
|-----|----------|------------------------|------------------------|------------|
| 1 | MT90007 | 25 | 20 | Twin Seg |
| 2 | MT90008 | 25 | 20 | Twin Seg |
| 3 | MT90009 | 25 | 20 | Twin Seg |
| 4 | MT90029 | 25 | 20 | Twin Seg |
| 5 | PB021136 | 25 | 20 | Exp |
| 6 | PB021137 | 25 | 20 | Exp |
| 7 | PB021138 | 25 | 20 | Exp |

| POS | CODE | DIAMETER EXTERNAL (MM) | DIAMETER INTERNAL (MM) | WHEEL TYPE |
|-----|----------|------------------------|------------------------|------------|
| 1 | MT90016 | 25 | 20 | Twin Seg |
| 2 | MT90017 | 25 | 20 | Twin Seg |
| 3 | MT90018 | 25 | 20 | Twin Seg |
| 4 | MT90035 | 25 | 20 | Twin Seg |
| 5 | PB021004 | 28 | 20 | Exp |
| 6 | PB021005 | 28 | 20 | Exp |
| 7 | PB021006 | 28 | 20 | Exp |

UCSLINE PROFILE TOOLS



| POS | CODE | DIAMETER EXTERNAL (MM) | DIAMETER INTERNAL (MM) | WHEEL TYPE |
|-----|----------|------------------------|------------------------|------------|
| 1 | MT90019 | 30 | 20 | Twin Seg |
| 2 | MT90020 | 30 | 20 | Twin Seg |
| 3 | MT90021 | 30 | 20 | Twin Seg |
| 4 | MT90048 | 30 | 20 | Twin Seg |
| 5 | PB021149 | 37 | 20 | Exp |
| 6 | PB021150 | 37 | 20 | Exp |
| 7 | PB021151 | 37 | 20 | Exp |

| POS | CODE | DIAMETER EXTERNAL (MM) | DIAMETER INTERNAL (MM) | WHEEL TYPE |
|-----|----------|------------------------|------------------------|------------|
| 1 | MT90042 | 20 | 20 | Twin Seg |
| 2 | MT90043 | 20 | 20 | Twin Seg |
| 3 | MT90044 | 20 | 20 | Twin Seg |
| 4 | MT90045 | 20 | 20 | Twin Seg |
| 5 | PB021001 | 20 | 20 | Exp |
| 6 | PB021002 | 20 | 20 | Exp |
| 7 | PB021003 | 20 | 20 | Exp |

TOOL HOLDERS, ADAPTORS & CONSUMABLES

CNC / UCSLINE PROFILE TOOLS + TOOL HOLDERS, ADAPTORS & CONSUMABLES

ADI BT40 TOOL CONE

35x52mm Suits Denver, Thibaut, Cobalm, Burkhardt.

| CODE |
|---------|
| SL01542 |



ADI BT40 TOOL CONE

1/2" Gas Suits Denver, Thibaut, Cobalm, Burkhardt.

| CODE |
|---------|
| SL01544 |



ADI MAGNETIC ADAPTOR WITH SAFETY LOCK

Allows use of easy change magnetic locking type tools, such as ADI Drainboard Polishing tools. With rubber cushion and 1/2" Fitting.

| CODE |
|---------|
| SL02569 |



ADI PIN DRILL ADAPTOR

R1/2" External Thread & 10mm Bore with grub screws.

| CODE |
|--------|
| DPDADR |



KONIG TORNADO RIDGID MAGNETIC COUPLING

Rigid coupling for adapting Tornado backed tools to R1/2" fitting. Features twist lock for added security.

| CODE |
|----------|
| KE12.230 |



ADI ADAPTOR FOR STUBBING WHEEL & DRAINBOARD TOOLS

From R1/2" to B50(3+3).

| CODE |
|---------|
| PB29015 |



TOOL HOLDERS, ADAPTORS & CONSUMABLES

ADI ADAPTOR FOR STUBBING WHEEL & DRAINBOARD TOOLS

Bore 35mm to B50(3+3).

| CODE |
|---------|
| SL01050 |



ADI PULL STUD SUITS THIBAUT

Locking stud used with ADI Tool Cones. Suits Thibaut (Old type), Denver, Park Industries and V.E.M.

| CODE |
|---------|
| SL01057 |



ADI PULL STUD SUITS THIBAUT

Locking stud used with ADI Tool Cones. Suits Thibaut (New type), Cobalm and Burkhardt.

| CODE |
|---------|
| SL01425 |



ADI ADAPTOR FOR ENGRAVING TOOL

From R1/2" male to 6mm Round Shank female.

| CODE |
|---------|
| SL02103 |



ADI DIAMOND ROUTER MANDREL

From R1/2" male to M12 thread fitting. 20mm diameter and a 55mm length.

| CODE |
|-----------|
| DRM20ADIR |



SILPAR TK LINE ZINC-BASED WHITE GREASE

Especially formulated white grease ideal for use with CNC tools. Due to its great adhesiveness and its contents of zinc oxide it is particularly recommended to protect, lubricate and avoid the jamming of bolts, clamps, joints, leverages, locks, engines and all equipments working in wet and corrosive environment.

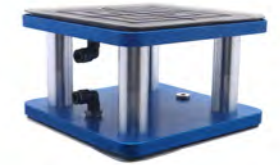
| SIZE | CODE |
|-------|-----------|
| 250ml | TKL40.010 |



VACUUM CUPS

VACUUM CUPS

| HEIGHT (MM) | SUITS | SIZE (MM) | LIP | INCLUDES | CODE |
|-------------|---------|-----------|----------|-------------|------------|
| 120 | Cobalm | 200x200 | With Lip | Rubber Seal | VC.KS01019 |
| 120 | Cobalm | 200x55 | With Lip | Rubber Seal | VC.KS02050 |
| 120 | Cobalm | 120x120 | With Lip | Rubber Seal | VC.KS03055 |
| 120 | Cobalm | 150x150 | With Lip | Rubber Seal | VC.KS03057 |
| 150 | Thibaut | 200x200 | With Lip | Rubber Seal | VC.KS01025 |
| 150 | Thibaut | 200x55 | With Lip | Rubber Seal | VC.KS02066 |
| 150 | Thibaut | 120x120 | With Lip | Rubber Seal | VC.KS03071 |
| 150 | Thibaut | 150x150 | With Lip | Rubber Seal | VC.KS03073 |



REPLACEMENT TOP PLATES

| SIZE (MM) | LIP | INCLUDES | CODE |
|-----------|----------|-------------|------------|
| 200x200 | With Lip | Rubber Seal | VC.KS20012 |
| 200x55 | With Lip | Rubber Seal | VC.KS20014 |
| 120x120 | With Lip | Rubber Seal | VC.KS20003 |
| 150x150 | With Lip | Rubber Seal | VC.KS20005 |

REPLACEMENT SEALS

"No Lip" and "With Lip" Seals are easily replaced and 100% interchangeable.

| SIZE (MM) | LIP | CODE |
|--------------------------|----------|------------|
| 200x200 | With Lip | VC.KS23104 |
| 200x55 | With Lip | VC.KS23202 |
| 120x120 | With Lip | VC.KS23303 |
| 150x150 | With Lip | VC.KS23305 |
| 200x200 | No Lip | VC.KG23104 |
| 200x40 | No Lip | VC.KG23202 |
| (Suits 200x55 Cup/Plate) | | |
| 120x120 | No Lip | VC.KG23303 |
| 150x150 | No Lip | VC.KG23305 |



Note: For all other heights, sizes and parts, ask your CDK Sales Representative

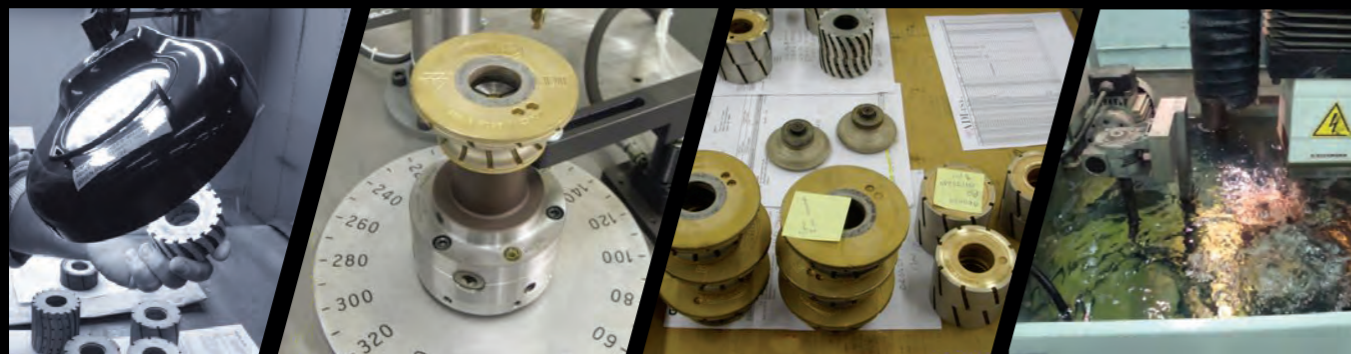
HOW TO REPLACE SEAL



STEP 1: Removing the old seal; simply pull out of the groove



STEP 2: Press in the new seal. The seal type can also be changed if you wish.



MAXIMISE THE LIFE OF YOUR DIAMOND TOOLS!

ADI are the European leaders in industrial diamond tools. Made in Italy, ADI are renown for producing the highest quality diamond tools for stone, ceramics, mechanics, glass and optics industries. ADI's dedication to quality and service has seen them offer their customers an exclusive re-dressing service with a fast turnaround time.

ADI's re-dressing program is designed to provide customers with a cost-effective solution for rejuvenating their worn-out diamond tools. The program involves taking customers' used diamond tools and re-dressing them to restore their original profile and performance. Conducted in ADI's USA factory, the re-dressing process is carried out using advanced

machinery and tools, and the result is a tool that performs as good as new but at a fraction of the cost of buying a new one.

Each tool undergoes a complete technical analysis by an ADI certified technician. The tool is then measured, logged and undergoes the precision process of electrical discharge machining, then re-shaping and re-dressing the tools to their original factory specifications.

Overall, ADI's re-dressing program helps customers save money by extending the life of your diamond tools and reducing your overall tooling costs.



CONTACT YOUR CDK STONE SALES REPRESENTATIVE TODAY TO DISCUSS HOW YOU CAN MAXIMISE YOUR ADI CNC TOOLS!



EQUIPMENT

SECTION 5

| | |
|--------------------------|-----|
| COUPLINGS & ARBORS | 126 |
| CONSUMABLES | 131 |
| HANDLING EQUIPMENT | 136 |

COUPLINGS & ARBORS

DIAREX WATER SWIVEL

12mm straight shank and 10mm female fitting with grub screws.

| CODE |
|---------|
| CDWSS10 |



ADI WATER-SWIVEL STANDARD

12mm straight shank and R1/2" internal thread.

| CODE |
|---------|
| CDWSSSR |



DIAREX SNAIL BACK COUPLING

Rubberised coupling for use on hand-held machines and edge processors.

| SIZE | THREAD | CODE |
|-------|--------|----------|
| 100mm | M14 | DCOUP10A |
| 130mm | M14 | DCOUP13A |



THREAD ADAPTOR (INTERNAL)

With R1/2" internal and M14 internal threads.

| CODE |
|-------------|
| KE10.100.01 |



THREAD ADAPTOR (EXTERNAL)

With R1/2" external M14 external threads.

| CODE |
|-------------|
| KE10.100.06 |



KÖNIG

KONIG TORNADO MINI COUPLING SYSTEM

Magnet quick-change system for diamond grinding pads. High-quality aluminum sanding pad with water distributor for wet or extraction use. Features 4 holding magnets for a perfect hold.

High-quality galvanized, flexible holding plates with Velcro hooks. Set consisting of mounting plates and 6 holding plates. Developed and manufactured in Germany, this coupling system features a 100mm diameter with a M14 attachment.

| PRODUCT | CODE |
|------------|----------|
| Coupling | KE11.100 |
| Attachment | KE11.120 |



KONIG TORNADO EDGE COUPLING SYSTEM

Revolutionary quick-change system for edge polishing machines. Tools can be changed within a few seconds thanks to the magnetic lock.

This system minimizes set-up costs on the edge polishing machine and increases productivity. Features a corrosion protection through anodized aluminum plate.

Developed and manufactured in Germany, the Tornado Edge system features a magnetic coupling plate and a snail coupling plate. M30 connector.

| PRODUCT | CODE |
|-------------------------|----------|
| Magnetic Coupling Plate | KE11.200 |
| Snail Coupling Plate | KE11.210 |



KONIG TORNADO EDGE SPECIAL KEY

Special key for Tornado Edge system. Tool allows for quick changing of tools and securing tools in place.

| CODE |
|-------------|
| KE11.200.01 |



KONIG TORNADO EDGE WALL BRACKET

Wall bracket for Tornado Edge system. The bracket allows for housing of the coupling plates.

| CODE |
|----------|
| KE11.290 |



COUPLINGS & ARBORS

FRANKFURT PLASTIC ATTACHMENT SHOE

Plastic Attachment Shoe. Easily converts plain plates to accept Frankfurt Abrasives. Comes complete with four bolts.

| CODE |
|------------|
| LAXFATSHOE |



FRANKFURT ALUMINIUM ATTACHMENT STRIPS

Aluminium strips to accept Frankfurt Abrasives. [pair].

| CODE |
|-------------|
| LAXFATSTRIP |



PADHEAD II POLISHING & HONING HEAD

Padhead II 7" has 3 heads and is suitable for 75mm diameter wet polishing pads. The PadHead polishing & honing heads are designed to polish and hone flat surfaces utilizing multiple free rotating heads working off of the resistance of friction principle to accomplish its superior surface cutting action.

| SIZE | CODE |
|------|------------|
| 7" | PADHEADII7 |



KONIG TORNADO RUBBERISED MAGNETIC COUPLING

Rubberised coupling for use on hand held machines, multi purpose machines and edge processors.

| SIZE | THREAD | CODE |
|------|--------|----------|
| 80mm | M14 | TCOUP08A |
| 80mm | 5/8" | TCOUP08D |



DIAREX®

DIAREX RIGID RUBBER QRS BACK PAD

Low flexibility rubber backer. Made from high quality rubber with hook and loop Velcro. Central hole for wet polishing.

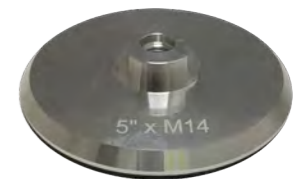
| SIZE | THREAD | CODE |
|-------|--------|----------|
| 75mm | M14 | VCOUP07A |
| 100mm | M14 | VCOUP10A |
| 130mm | M14 | VCOUP13A |



DIAREX RIGID ALUMINIUM QRS BACKING PAD

Rigid Aluminium for a more precise, efficient and durable polishing process. With hook and loop Velcro. Central hole for wet polishing.

| SIZE | THREAD | CODE |
|-------|--------|-----------|
| 100mm | M14 | VCOUP10AA |
| 130mm | M14 | VCOUP13AA |



DIAREX SUPER FLEXIBLE RUBBER QRS BACKING PAD

Super flexibility rubber backer. For curved or irregular shapes and/or soft delicate surfaces. Made from high quality rubber with hook and loop Velcro. Central hole for wet polishing.

| SIZE | THREAD | CODE |
|-------|--------|-----------|
| 100mm | M14 | VCOUP10AF |
| 130mm | M14 | VCOUP13AF |



DIAREX SEMI-RIGID PLASTIC QRS BACKING PAD WITH 10MM FOAM CUSHION

10mm foam cushion allows for use on irregular surfaces, soft and delicate surfaces. Great for final polishing without swirl marks or imperfections. Central hole for wet polishing.

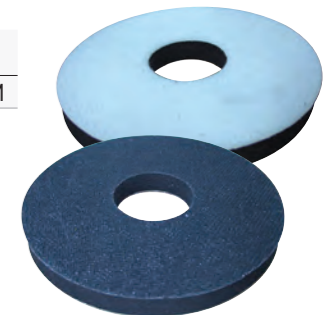
| SIZE | THREAD | CODE |
|-------|--------|------------|
| 100mm | M14 | VCOUP10ASR |
| 125mm | M14 | VCOUP12ASR |



DIAREX FOAM CUSHION INSERT WITH QRS BOTH SIDES

12mm thick to create extra cushion for irregular or soft delicate surfaces. Hook one side, Loop one side. Central hole for wet polishing.

| SIZE | THICKNESS | CODE |
|-------|-----------|-------------|
| 100mm | 12mm | VCOUP10FOAM |



COUPLINGS & ARBORS

DIAREX PLASTIC QRS BACKING PLATE WITH SNAIL BACK

| SIZE | CODE |
|-------|----------|
| 100mm | VCOUP10S |
| 130mm | VCOUP13S |

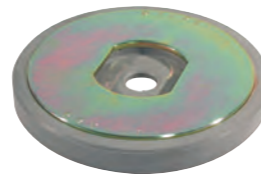
Available in a rigid design.



DIAREX QRS BACKING PLATE WITH TORNADO FITTING

| SIZE | VERSION | CODE |
|-------|---------------|------------|
| 100mm | Rigid Plastic | VCOUP10TR |
| 100mm | Rubberised | VCOUP10TSR |
| 130mm | Rubberised | VCOUP13TSR |

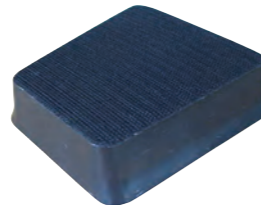
Available in a rigid plastic design or a rubberised design



DIAREX FRANKFURT PLASTIC QRS BACKING PLATE

| CODE |
|---------|
| VCOUPFR |

Ideal for attaching QRS polishing pads to large polishing plates.

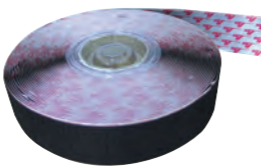


REPLACEMENT HOOK & LOOP

50mm self adhesive hook and loop.
100mm plain backed hook and loop.

| SIZE | CODE |
|-------|--------------|
| 50mm | VELCRO050HSA |
| 100mm | VELCRO100H |

| | |
|----------------|---------------------------------|
| PIECES PER BOX | 25 meter box. Sold per meter |
|----------------|---------------------------------|



CONSUMABLES

KONIG BLUE RESIN SHARPENING BLOCK

For sharpening blades with hard bond.

| SIZE | CODE |
|------------|----------|
| 32x32x55cm | KD31.145 |



KONIG SILICON CARBIDE SHARPENING BLOCK

For blades with soft bond.

| CODE |
|----------|
| KD31.125 |



ADI DRESSING STICK

Easy to use, professional abrasive sticks for dressing of diamond router tools. Ensures optimum diamond tool performance and lifespan. Use with plenty of water.

| POSITION | CODE |
|----------|---------|
| 1 | 3B00003 |
| 2 | 3B00087 |
| 3 Metal | 3B00088 |



HERZO VACUUM CUTTING SHROUD

125mm Angle Grinder dust shroud for cutting designed to give workers a no-dust environment. Universal kit for nearly all brand angle grinders.

| | |
|----------------|---|
| PIECES PER BOX | 1 |
|----------------|---|

| SIZE | CODE |
|-------|--------|
| 125mm | 5ULEVC |



HERZO VACUUM GRINDING SHROUD

125mm Angle Grinder dust shroud for grinding designed to give workers a no-dust environment. Universal kit for nearly all brand angle grinders.

| | |
|----------------|---|
| PIECES PER BOX | 1 |
|----------------|---|

| SIZE | CODE |
|-------|--------|
| 125mm | 5ULEVG |



WHITE NYLON POLISHING PAD NON - ABRASIVE

Ideal for removing stubborn dirt, applying sealers and polishing with MPP.

| CODE |
|-----------|
| CA.FP-635 |



CONSUMABLES

DIAREX SINKLOC

Ideal tool for quick, precise positioning and temporary holding of under-mount sink bowls, enabling easy, one-person installation.

| SIZE | CODE |
|------|------------|
| 24" | HE.DRXSL24 |
| 42" | HE.DRXSL42 |



DIAREX GLUE ON SINK ANCHORS

No-drill, steel sink anchors that adhere to the underside of benchtops for securing sink installations. The kit includes size anchors.

| CODE |
|-------------|
| HE.DRXSAKIT |



DIAREX FIBREGLASS REINFORCING

Fibreglass Reinforcing. 100m roll.

| SIZE | CODE |
|--------|----------|
| 10x3mm | KK10.196 |



PENTEL WHITE CORRECTION PEN

The Pentel Correction Pen is a multi-purpose tool which can be used to fix and cover up your mistakes. The quick drying fluid flows smoothly from the fine nib, which gives you greater control.

| COLOUR | CODE |
|--------|-----------|
| White | PENTELCPF |



SMALL TOOL

High quality carbon steel. One piece drop forged. Precision ground and tempered. Great for mixing and applying adhesives.

| CODE |
|-------------|
| SMALLTOOL19 |



CALICO RAG BUFF

The calico rag buff is a cotton polishing wheel used to achieve a smooth, glossy finish by distributing polishing compounds evenly while absorbing excess.

Available in 4, 5 and 8" diameters with 100 and 200 folds.

| SIZE | CODE |
|------|-----------|
| M14 | RAGADA |
| 4" | RAGB4/100 |
| 5" | RAGB5/100 |
| 8" | RAGB8/100 |



PICA INK MARKER

Marks on almost all kinds of dry surfaces. Convenient quiver cap with special clip for perfect one handed handling. Permanent alcohol-based ink, removable from glossy surfaces with alcohol and other usable solvents.

| COLOUR | CODE |
|--------|------------|
| Red | PICA150/40 |
| Blue | PICA150/41 |
| Black | PICA150/46 |



PICA DRY PEN GRAPHITE

Graphite lead 2B that marks on almost any surface, whether dry, wet, glossy, rough or dusty. Convenient quiver cap with integrated sharper & clip for one handed handling. Push mechanism for automatic lead feed in a steel tube. Different colour refills available, all refills are sold separately.

| COLOUR | CODE |
|----------|----------|
| Graphite | PICA3030 |



| OPTION | SIZE | COLOUR | CODE |
|--------|---------|--------------------------|----------|
| Refill | 8 Pack | Graphite, Red & Yellow | PICA4020 |
| Refill | 10 Pack | Graphite | PICA4030 |
| Refill | 10 Pack | Red | PICA4031 |
| Refill | 8 Pack | Blue, Green & White | PICA4040 |
| Refill | 10 Pack | White | PICA4043 |
| Refill | 10 Pack | Graphite H | PICA4050 |
| Refill | 8 Pack | Graphite 2B, Red & White | PICA4070 |

PICA BIG DRY CONSTRUCTION MARKER GRAPHITE

The Refillable Carpenter Push-Pencil with lead sharpener. Very robust and long-lasting. Automatic lead feed at the push of a button. Refillable with different leads for versatile capabilities.

| COLOUR | CODE |
|----------|----------|
| Graphite | PICA6060 |



| OPTION | SIZE | COLOUR | CODE |
|--------|---------|---------------------------|----------|
| Refill | 12 Pack | Graphite | PICA6030 |
| Refill | 12 Pack | Graphite, White & Red | PICA6045 |
| Refill | 12 Pack | Graphite 2H | PICA6050 |
| Refill | 12 Pack | Graphite/Black | PICA6051 |
| Refill | 12 Pack | Graphite 10H | PICA6055 |
| Refill | 12 Pack | Graphite 2B, Red & Yellow | PICA6070 |

PICA VISOR PERMANENT MARKER

The Refillable "MULTI-USE" Marker. For all material surfaces, from glossy to very rough. Refillable in a few seconds with water resistant "MULTI-USE" marking crayon that never dries out. Extremely insensitive and versatile for water resistant marking on almost all surfaces. Twist mechanism for rapid and convenient handling. Convenient quiver cap with clip for perfect one handed handling. Available in 4 colours and refills sold separately.

| COLOUR | CODE |
|--------|------------|
| Red | PICA990/40 |
| Blue | PICA990/41 |
| Yellow | PICA990/44 |
| White | PICA990/52 |



| OPTION | SIZE | COLOUR | CODE |
|--------|--------|--------|------------|
| Refill | 4 Pack | Red | PICA991/40 |
| Refill | 4 Pack | Blue | PICA991/41 |
| Refill | 4 Pack | Yellow | PICA991/44 |
| Refill | 4 Pack | White | PICA991/52 |

CONSUMABLES

ARDELL SINGLE EDGED RAZOR BLADES

Highest quality USA blade, carbon steel, 0.009" thick. 2 - facet, steel back. Fits all single edge scrapers. Individually wrapped.

PIECES PER PACK 100

| |
|----------|
| CODE |
| RAZORSEA |



KONIG MEASURING TAPE

5m Nylon Coated Tape with Stainless Steel Spring.

| |
|----------|
| CODE |
| SSTAPE05 |



STAEDTLER PERMANENT WAX PENCILS

Waterproof wood-cased pencil in up to 6 colours. Packs of 12 (not sold separately). Opaque marking on almost all surfaces even on dark or transparent ones, e.g. Paper, Plastic, Metal, Glass, Wood, Leather and Stone. Non-corrosive colour pigments.

PIECES PER BOX 12

| COLOUR | CODE |
|--------|----------|
| White | STD808-0 |
| Yellow | STD808-1 |
| Red | STD808-2 |
| Black | STD808-9 |



DIAMOND GUARD 345S LOW TACK PROTECTIVE FILM

Diamond Guard 345S Low Tack Protective Film now covers a wider range of applications. Diamond Guard 345S Low Tack Protective Film is suitable for most situations both indoors and outdoors. This self adhesive protective film will protect newly installed stone and prevent scratching.

- Rolls are 650mm (W) x 100m (L).
- Self adhesive
 - does not require tape or additional fixing.
- Stays in place
 - once smoothed into position Diamond Guard will not fall away.
- Forms an effective barrier against splashes and prevents scratching.
- Removes cleanly and easily.
- Water resistant core.
- UV protected
 - maximum 3 months.
- Custom printing.



**Covered...
because we care!**
Just like a precious stone,
this surface commands respect!



| SIZE | CODE |
|--------------|-----------|
| 650mm x 100m | DG345SLTS |

Custom printing with your company logo

With custom printing, we offer 3 options. You can have your company's logo in a single colour, two colours and up to 3 colours in total! Custom printing is reserved for bulk buys only, with a minimum order quantity of 80 rolls.

Pica - Dry[®]
Longlife Automatic Pencil



The **new** standard.

THE ORIGINAL



Maximum protection against Dust & Moisture

The push-button as umbrella cap and barrel with sealing ring cause a maximum all-round protection against external influences.



Power Lock

The new Pica-Dry[®] with newly developed Power-Lock mechanism offers a 3x higher and longer holding power than its predecessor – the best in its class until now. This reduces the possibility of the lead slipping in during long-term use to a minimum.

3x
more holding power



Optimized design

New grip zones support the pull out and enhance the haptic experience. The sealing ring gives the closure a noticeable end point.



The new grip zone is a significant improvement for orientation.

HANDLING EQUIPMENT

DIAREX SINGLE CUP LIFTER WITH LEVER ACTION

CODE
HE.HG01L

Easy to use – suction is created by single handedly pulling the handles together. When released, suction is lost.



DIAREX TWIN CUP VACUUM LIFTER

CODE
HE.HG02

Universal suction lifter for handling all kinds of loads. Please Note: Load Capacity 60kg vertically, 80kg horizontally.



DIAREX TRIPLE CUP VACUUM LIFTER

CODE
HE.HG03

Triangular formation allows even distribution of pressure to reduce strain on material.



DIAREX 200MM VACUUM GRIPPER

CODE
HE.HG01HP8

200mm single vacuum cup with 100kg (GS 65kg*) lifting capacity. Full metal handle with brass pump. Includes protective carry case and cover. All-metal handle/pump assembly with flat pad for flat surfaces. Vacuum leakage indicator with suction quick release button.



*Safety factor is 2 under GS (German Safety) requirements.

DIAREX SEAM LEVELLER

CODE
HE.SEAMLEV1

Ideal for levelling small pieces.



DIAREX SEAMSET

CODE
HE.SEAMSET

Diarex SeamSet features 117mm vacuum cups with a screw tensioner and one leveling point.



DIAREX®

DIAREX SEAMSET2

CODE
HE.SEAMSET2

With an Easy-to-use ratchet system, the SeamSet2 pulls benchtops into position to achieve perfect joins. 200mm vacuum cups. Two leveling points eliminate lippage.



DIAREX SEAMSET A

CODE
HE.SEAMSETA

Diarex SeamSet A features two 117mm vacuum cups with screw tensioner and two leveling points.



DIAREX STONE CARRY CLAMP SET TWIN-HANDLE

CODE
HE.DRXSCC

Diarex Stone Carry Clamp Set Twin-Handle (2 Clamps per set) can lift 160kg per clamp. Used in pairs these clamps allow two people to handle stone panels with ease.



DIAREX WATERFALL SET

CODE
HE.MITRESET

Ideal for clamping waterfall ends. Set of 2 clamps.



DIAREX WATERFALL SETTING TOOL

CODE
HE.WATERFALLSET

90 degree setting tool with heavy duty construction for full-size waterfall mitres. Features a twin ratchet system and 6 points of adjustment, 200mm vacuum cups with metal bodies and brass pumps, a quick vacuum release lever and tab for easy removal. Features an indicator for pressure loss and non-marking nylon feet.



HANDLING EQUIPMENT

MITREFORMA MITRE CLAMP

MitreForma Clamp, is designed for creating a mitred fascia in a quick, precise and fool-proof way. The clamp creates high quality 90 degree seams. Available in two sizes, the MitreForma Clamp cuts preparation time by up to 75% and saves valuable labour time.

| SIZE | CODE |
|-------|----------|
| 130mm | HE.MF130 |
| 320mm | HE.MF320 |

| PART | CODE |
|------------------------------------|-----------|
| Replacement glue catcher - 40 pack | HE.MF40GC |



OMNI CUBED PRO STEALTH SEAMER MANUAL

The Pro Stealth Seamer Manual joins, levels, and flattens stone to help you consistently produce invisible seams. The product's design allows you to view the seam, adjust, apply adhesive & scrape the seam while it's in use.

| CODE |
|-----------|
| HE.OMCPSS |



OMNI CUBED PRO STEALTH SEAMER AUTOMATIC

The Pro Stealth Seamer Auto system includes a powerful compact vacuum pump that maintains pressure for all cups & runs on AC power or AA batteries for any install situation.

| CODE |
|------------|
| HE.OMCPSSA |



OMNI CUBED STEALTH SEAMER 90DEG AUTOMATIC

The Stealth Seamer 90° Auto is the ideal solution for waterfall edges, mitered aprons, butt-joints, and compound corners. It is the only 90° seamer that can also be inverted for inside corners.

| CODE |
|--------------|
| HE.OMCSS90DA |



OMNI CUBED STEALTH SEAMER 90DEG MANUAL

The Stealth Seamer 90° Manual is perfect for waterfall edges, mitered aprons, butt-joints, and compound corners. It is the only 90° seamer that can also be inverted for inside corners.

| CODE |
|--------------|
| HE.OMCSS90DM |



OMNI CUBED STEALTH SEAMER NANO MANUAL

The Nano Stealth Seamer Manual manually joins and levels glass and stone to consistently create high-quality, even seams with more control and less effort than traditional methods.

| CODE |
|------------|
| HE.OMCSSNM |



OMNI CUBED STEALTH SEAMER NANO AUTOMATIC

The Nano Stealth Seamer Automatic automatically joins and levels glass and stone to consistently create high-quality, even seams with more control and less effort than traditional methods.

| CODE |
|------------|
| HE.OMCSSNA |



OMNI CUBED PRO-CART AT2

The Pro-Cart AT2 is designed to overcome the challenges of rough terrain. The cart easily and safely transports very large stone, reducing the physical burden on workers. Features a 110mm max clamp opening.

| CODE |
|-----------|
| HE.OMCAT2 |



OMNI CUBED PRO-LIFT AUTOMATIC SUPER DUTY LIFTING CART

The Pro-Lift Automatic provides a safer means of stone transportation and installation. The cart can be used to lower, lift, and roll extremely large pieces during install.

| CODE |
|-----------|
| HE.OMCPLA |



OMNI CUBED PRO-DOLLY HD1

The Pro-Dolly HD1 allows easier transport and installation of benchtops. An aluminum frame makes this dolly extremely compact and lightweight at only 9.5kg, yet strong enough to accommodate a 340kg load.

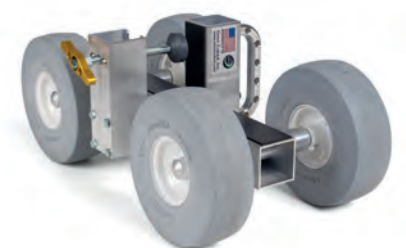
| CODE |
|----------------|
| HE.OMCPRODOLLY |



OMNI CUBED PRO-DOLLY HD2

The dolly's low profile allows more clearance for tall pieces through doorways. This product is often used in pairs to handle extra large pieces (up to 907kg).

| CODE |
|-----------------|
| HE.OMCPRODOLLY2 |



OMNI CUBED SINK HOLE SAVER

The Sink Hole Saver Edge is the perfect solution for protecting cutouts, splashbacks, and other fragile pieces during fabrication, transportation, and installation. Features four manual vacuum pods.

| SIZE | CODE |
|------|------------------|
| 4" | HE.OMC4101SHSE17 |
| 6" | HE.OMC6101SHSE17 |
| 8" | HE.OMC8101SHSE17 |



HANDLING EQUIPMENT

OMNI CUBED ANGLE BRACKET

Angle bracket for use on Sink Hole Saver.

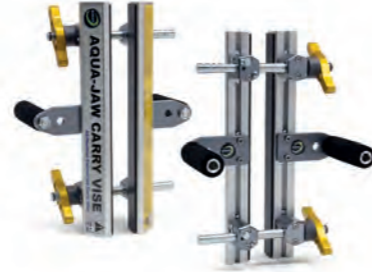
| CODE |
|--------------|
| HE.OMCAB-SHS |



OMNI CUBED AQUA-JAW CARRY VISE

Designed to not slip off wet stone. Stays attached when going up stairs. Vise-grip holds evenly to stone for safer, easier carrying.

| CODE |
|-----------|
| HE.OMCAQJ |



OMNI CUBED MEGA-JAW CARRY VISE

Quick and easy gravity-assisted carry clamps. Promotes safe and proper lifting to reduce strain and injury. Works great for carrying thick materials and concrete benchtops.

| CODE |
|-----------|
| HE.OMCMEG |



OMNI CUBED LAM-CLAMP EDGE LAMINATING CLAMP

The Lam-Clamp has revolutionized benchtop edge laminations by exceeding traditional methods in efficiency, seam quality, and durability.

| SIZE | CODE |
|------|--------------|
| 4" | HE.OMCLC1220 |
| 6" | HE.OMCLC1830 |



OMNI CUBED MITER-IT

The Miter-It is an easy-to-use jig that allows finished-side-up miter laminations. The jig's weight and non-marking, non-skid contact surface hold the product and miter piece in place. For mitering 4cm - 15cm capacity.

| CODE |
|----------------|
| HE.OMCMITER-IT |



OMNI CUBED MITER-IT CORNER

The Miter-It Corner is an easy-to-use jig that allows finished-side-up corner miter laminations. The jig's weight and non-marking, non-skid contact surface hold the product and miter piece in place. For mitering 4cm - 15cm capacity.

| CODE |
|-----------------|
| HE.OMCMITER-ITC |



OMNI CUBED SINK HOLE SAVER 4" AUTOMATIC

The Sink Hole Saver Automatic is a automatic surface-mounted reinforcement system that strengthens fragile materials and protects cut outs during lifting.

| CODE |
|-----------------|
| HE.OMCSHS-4A-20 |



OMNI CUBED SINK HOLE SAVER 4" MANUAL

The Sink Hole Saver Manual is a manual surface-mounted reinforcement system that strengthens fragile materials and protects cut outs during lifting.

| CODE |
|-----------------|
| HE.OMCSHS-4M-20 |



OMNI CUBED SINK HOLE SAVER 7" AUTOMATIC

The Sink Hole Saver Automatic is a automatic surface-mounted reinforcement system that strengthens fragile materials and protects cut outs during lifting.

| CODE |
|-----------------|
| HE.OMCSHS-7A-20 |



OMNI CUBED SINK HOLE SAVER 7" MANUAL

The Sink Hole Saver Manual is a manual surface-mounted reinforcement system that strengthens fragile materials and protects cut outs during lifting.

| CODE |
|-----------------|
| HE.OMCSHS-7M-20 |



HANDLING EQUIPMENT

GRABO®

GRABO

The Grabo is a fully portable electric vacuum intended to lift, move and place everything from tiles and plasterboard to furniture and large appliances. Now with a suction gauge, The Grabo can hold up to 170kg and grab almost any surface with ease.

This vacuum lifter is a new and revolutionary way to lift and handle tiles, glass, concrete, plasterboard, furniture and much more. Rough, textured, dusty or wet, the Grabo grabs them all. With a 1.5 hour run time, the Grabo makes positioning stone and tiles easy.

The kit contains two batteries, a fabric bag and a replacement rubber seal



| |
|----------|
| CODE |
| HE.GRABO |



GRABO PRO

The Grabo Pro Lifter is designed for professionals, with a fully portable electric vacuum intended to lift, move and place everything from tiles and plasterboard to furniture and large appliances.

- 2 hour charge for 1.5 hour work time.
- Up to 170kg of holding force.
- Rough, textured, dusty or wet Grabo grabs them all.
- The foam rubber vacuum seal is strong and resistant to loss of vacuum pressure.
- Slimline ergonomic handle for better grip and less fatigue when moving heavy objects.
- Use for all surface types, with automatic stop function at 11.6Psi, digital display and electronic pressure gauge.
- Automatic vacuum monitor, if pressure is lost the pump is automatically powered until vacuum pressure is restored.
- Designed for flooring professionals, glass installers, carpenters, movers, construction workers and more.

| |
|---------------|
| CODE |
| HE.GRABOPRO20 |



GRABO OTTOVAC

The Grabo Ottovac is designed for tilers and glaziers and is ideal for easy lifting of glass and small to medium tiles. Featuring an automatic sensor, suction indicator and an ergonomic design, the Ottovac is rated to lift 200kgs and runs off four AA batteries. When the vacuum level drops below -55 kPa, the pump will automatically restart, reaching the optimum pressure.

| |
|------------|
| CODE |
| HE.OTTOVAC |



METIKAM STONE

NEW HANDLING AND STORAGE EQUIPMENT

Developed and manufactured in Poland, Metikam Stone has become the leader for stone storage and handling equipment in Europe. Made to the highest standard, Metikam have a reputation for creating robust, high quality tools that you can rely on.

EQUIPMENT - HANDLING EQUIPMENT

METIKAM RACK POST BASE

Steel post base for accurate setting of slab lean. Designed for use with slab and bundle rack posts with a height of 1500, 1800 or 2000mm.

| |
|----------|
| CODE |
| HE.MKSPB |



METIKAM SLAB RACK POLE

Galvanized supporting post for Metikam Slab Rack system. Available in 1500mm and 1800mm sizes.

| SIZE | CODE |
|--------|--------------|
| 1500mm | HE.MKSRP1500 |
| 1800mm | HE.MKSRP1800 |
| 2000mm | HE.MKSRP2000 |



METIKAM STRONG SLAB RACKS

Each rail has 43 holes, supporting posts are placed in them, which deviate from the vertical at an optimal angle, supporting the weak ones along their entire length, which significantly reduces the risk of breakage of the panels.

| RAIL SIZE (MM) | POST SIZE (MM) | CODE |
|----------------|-----------------------------------|-------------|
| 120×190×3000 | 60×60×4 and a length of 1500-2000 | HE.MKSSR3.0 |



HANDLING EQUIPMENT

METIKAM UNIVERSAL TRANSPORT BUGGY

This single sided frame is rated to lift 500kg and ensures convenient and safe transport of both ready-made stone elements and slabs. Featuring heavy duty rubber wheels, this trolley also features a non-marking grip to ensure slabs are secure.

| SIZE (MM) | MAX LOAD CAPACITY | CODE |
|---------------|-------------------|----------|
| 1400x830x1225 | 500kg | HE.MKSSB |



METIKAM SELF UNLOADING CONTAINER

This solid container is rated to hold 1000kg and features a self-unloading mechanism that ensures quick and safe emptying of the container. Featuring easy to manoeuvre wheels, this table also features a drain tap that makes it possible to get rid of the water accumulated on the bottom.

| SIZE (MM) | WEIGHT | CODE |
|--------------|--------|----------|
| 1177x800x625 | 100kg | HE.MKSUC |



METIKAM TRANSPORT FRAME LARGE

This double sided frame has a load height of 1620mm and is rated to lift 1500kg. This premium quality transporting frame also includes 8 pressure poles and has been hot-dip galvanised to increase the tool's life.

| SIZE (MM) | WEIGHT | CODE |
|----------------|--------|-----------|
| 2400x1110x1800 | 160kg | HE.MKTRLG |



METIKAM TRANSPORT FRAME SMALL

This double sided frame has a load height of 1170mm and is rated to lift 1500kg. This premium quality transporting frame also includes 8 pressure poles and has been hot-dip galvanised to increase the tool's life. Optional wheel kit available.

| SIZE (MM) | WEIGHT | CODE |
|----------------|--------|-----------|
| 2000x1110x1475 | 140kg | HE.MKTRSM |



METIKAM DRAGON FORKIFT BOOM

This two arm boom has a maximum projection of 3500 mm and is rated to lift 2500kg. This premium quality boom also features a mast tilt angle adjustment and has been hot-dip galvanised to increase the tool's life.

| SIZE (MM) | MAX LOAD CAPACITY | CODE |
|-------------------|-------------------|---------|
| 3000x600x800-1100 | 2500kg | HE.MKFB |



METIKAM STONE

METIKAM WHEEL KIT FOR TRANSPORT FRAME

2 x fixed wheels and 2 x Swivel wheels for use with Metikam Transport Frames.

| SIZE (MM) | MAX LOAD CAPACITY | CODE |
|---------------|-------------------|-----------|
| 1400x830x1225 | 500kg | HE.MKTRWK |



METIKAM ADJUSTABLE WORKSHOP TABLE

This solid work bench is rated to lift 500kg and features a height adjustment of 800mm - 1100mm. Featuring grooved rubber on all of the top edges to prevent the stone from moving during processing, this table also features adjustable distance beams between to allow for processing of smallest pieces.

| SIZE (MM) | MAX LOAD CAPACITY | CODE |
|-------------------|-------------------|---------|
| 2000x600x800-1100 | 500kg | HE.MKWT |



METIKAM ADJUSTABLE WORKSHOP TABLE II

This solid work bench is rated to lift 500kg and features a height adjustment of 800mm - 1100mm. Featuring grooved rubber on all of the top edges to prevent the stone from moving during processing, this table also features adjustable distance beams between to allow for processing of smallest pieces.

| SIZE (MM) | MAX LOAD CAPACITY | CODE |
|-------------------|-------------------|----------|
| 3000x600x800-1100 | 500kg | HE.MKWT2 |

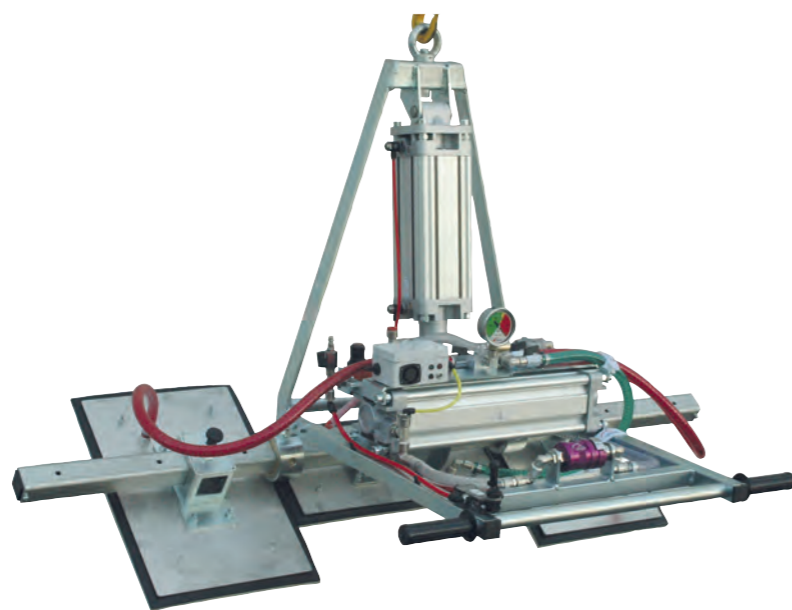


HANDLING EQUIPMENT



MANZELLI TOPLINE VACUUM LIFTER VAM 3 PN

- Powered with compressed air ejector with aluminium silencer. Pressure for the rotation at 6 Bar. Operating pressure 3.5 bar for creating vacuum.
- Air consumption 95 l / min.
- Plates and counter suction plates in stainless steel.
- Individual plate isolation by means of slider valve.
- Vacuum gauge in stainless steel with coloured scale.
- Aluminium reserve vacuum tank.
- Electric self governing luminous acoustic alarm system with solar panel and battery charger.

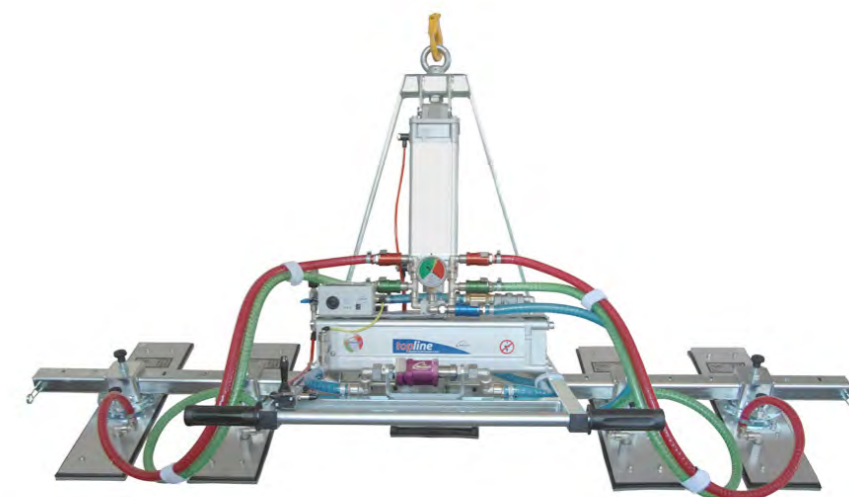


| LIFTING CAPACITY | NUMBER OF PADS | PAD SIZE (MM) | MAX. LENGTH (MM) | HEIGHT (MM) | WEIGHT |
|------------------|----------------|-----------------------------|------------------|-------------|--------|
| 625kg | 3 | 2x450x300 + 1x450x200 | 1840 | 870 | 69kg |

| CODE |
|-------------|
| VAM3PN/0625 |

MANZELLI TOPLINE VACUUM LIFTER VAM 5 PN-530 TKL SG

- Powered with compressed air ejector with aluminium silencer.
- Exercise pressure for rotation 6 Bar.
- Operating pressure 3.5 bar for creating vacuum.
- Air consumption 95l/min.
- Welded steel structure.
- Plates and counter suction plates in stainless steel.
- Plate connection and disconnection by means of slider valve in anodised aluminium locking in the "connect position".
- Vacuum gauge in stainless steel dipped in glycerine with coloured scale in view to facilitate the control of the vacuum's grade in the "connect" position.
- Reserve aluminium vacuum tank.
- Electric-powered self governing luminous acoustic alarm system with solar panels completed of battery charger.

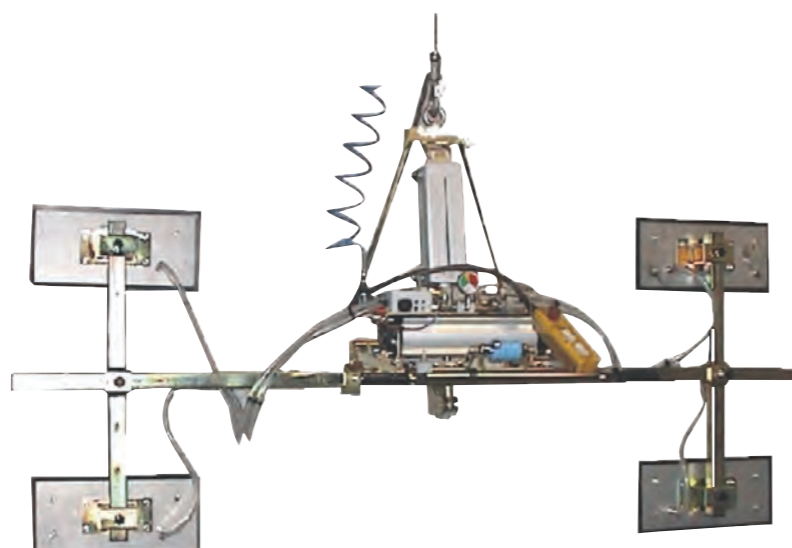


| CODE |
|-------------------|
| VAM5PN/530KTL SG+ |

| LIFTING CAPACITY | NUMBER OF PADS | PAD SIZE (MM) | MAX. LENGTH (MM) | HEIGHT (MM) | WEIGHT |
|------------------|----------------|---------------|------------------|-------------|--------|
| 500kg | 4 | 450x200 | 2310 | 870 | 90kg |

MANZELLI TOPLINE VACUUM LIFTER VAM 4 PN TK

- Powered with compressed air ejector with aluminium silencer.
- Pressure for the rotation at 6 Bar. Operating pressure 3.5 bar for creating vacuum.
- Air consumption 95 l / min.
- Plates and counter suction plates in stainless steel. Individual plate isolation by means of slider valve.
- Vacuum gauge in stainless steel with coloured scale. Aluminium reserve vacuum tank. Electric self governing luminous acoustic alarm system with solar panel and charger.



| LIFTING CAPACITY | NUMBER OF PADS | PAD SIZE (MM) | MAX. LENGTH (MM) | HEIGHT (MM) | WEIGHT |
|------------------|----------------|---------------|------------------|-------------|--------|
| 500kg | 4 | 450x200 | 2310 | 870 | 90kg |

| CODE |
|---------------|
| VAM4PN/0500TK |

MANZELLI EXENTIAL 3 PN

- Powered with compressed air ejector with aluminum silencer.
- Pressure for the rotation at 6 bar.
- Air consumption 120l/min.
- Welded steel structure.
- Nr. 3 plates and counter suction plates in tropicalized steel.
- Plate connection and disconnection by means of slider valve in nylon locking in the "connect position".
- Vacuum gauge in black metal crate with colored scale in view to facilitate the control of the vacuum's grade in the "connect" position.
- Reserve vacuum tank in tropicalized iron.
- Electric-powered self governing luminous acoustic alarm system completed of battery charger.



| CODE |
|---------------|
| VAM4PN/0500TK |

| LIFTING CAPACITY | NUMBER OF PADS | PAD SIZE (MM) | MAX. LENGTH (MM) | HEIGHT (MM) | WEIGHT |
|------------------|----------------|---------------|------------------|-------------|--------|
| 500kg | 4 | 450x200 | 2310 | 870 | 90kg |

HANDLING EQUIPMENT

AARDWOLF BUNDLE RACK POST

Galvanised steel rails 145x125mm with timber battens. 100mm post holes spaced 5mm apart for maximum storage efficiency. Posts made from High Grade steel (AS1163-450LO) for unbeatable strength.

| SIZE (MM) | CODE |
|---------------------|-----------------|
| 3000 Rails | HE.ABRRAIL3.0 |
| 100x50 x1200 | HE.ABRP100/1200 |
| 100x50 x1400 | HE.ABRP100/1400 |
| 100x50 x1600 | HE.ABRP100/1600 |
| Cap for 100mm Posts | HE.ABRRC100 |



AARDWOLF SLAB RACK POST

Galvanised steel rails 140x100mm with timber battens. 50mm post holes spaced 5mm apart for maximum storage efficiency. Posts made from High Grade steel (AS1163-450LO) for unbeatable strength.

| SIZE (MM) | CODE |
|--------------------|-----------------|
| 3000 Rails | HE.ASRRAIL3.0 |
| 50x50 x1400 | HE.ASRP050/1400 |
| 50x50 x1600 | HE.ASRP050/1600 |
| Cap for 50mm Posts | HE.ASRRC050 |



AARDWOLF RACK POST BASE FOR SLAB AND BUNDLE RACK POSTS

Steel post base for accurate setting of slab lean. Designed for use with slab and bundle rack posts.

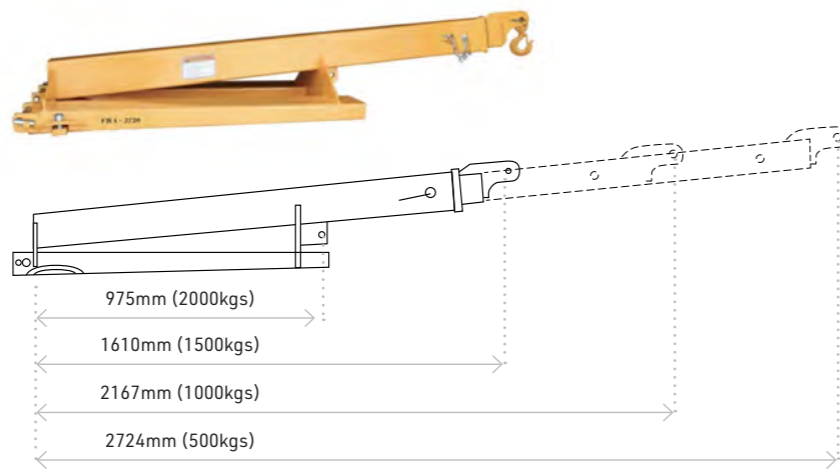
| SUITABLE POST SIZE (MM) | CODE |
|-------------------------|-------------|
| 1200-1400 | HE.ASPB1214 |
| 1600-1800 | HE.ASPB1618 |



AARDWOLF FORKLIFT BOOM FB1/FB2

All Aardwolf forklift jibs are made from high-grade Australian rectangular tube steel (AS1163-450LO), which ensures strength, reliability and safety. The Aardwolf forklift jibs compliment the patented range of Aardwolf lifting clamps.

| TYPE | WEIGHT | MAX REACH | CODE |
|----------|--------|-----------|---------|
| FB1-2720 | 80kg | 2720mm | HE.AFB1 |
| FB2-3580 | 130kg | 3580mm | HE.AFB2 |



AARDWOLF LIFTING CLAMP WITH WHITE RUBBER

Patented original slab lifting clamp designed by Jim Corbett. White rubber prevents marking on light coloured materials.

| CLAMP TYPE | CLAMPING THICKNESS RANGE (MM) | W.L.L (KG) | CODE |
|--------------------|-------------------------------|------------|-------------|
| Automatic Wide Jaw | 0-30 | 1200 | HE.ALC30AWJ |
| Manual | 0 - 50 | 1200 | HE.ALC50W |
| Automatic | 10 - 50 | 1200 | HE.ALC50WA |
| Manual | 15 - 60 | 1200 | HE.ALC60W |
| Automatic | 15 - 60 | 1200 | HE.ALC60WA |
| Manual | 30 - 75 | 1000 | HE.ALC75W |



AARDWOLF DEMOUNTABLE FRAME DFF200-1500

Rubber is provided on frame surfaces for maximum protection. Heavy-duty wheels allow easy manoeuvring of your fully loaded cart in the workshop and on the construction site.

| SIZE (LXWXH) MM | LOAD CAPACITY | CODE |
|-----------------|---------------|-----------------|
| 1500x971 x1347 | 1000kg | HE.ADFF200-1500 |



AARDWOLF TRANSPORT FRAME 1850

Ideal for transporting and storing material within the factory or transporting material to building sites. Frame can be loaded onto truck by forklift or crane.

| SIZE (LXW) MM | LOAD CAPACITY | CODE |
|---------------|---------------|-------------|
| 1850x1200 | 2500kg | HE.ASTF1850 |

| LOAD HEIGHT | LOAD WIDTH |
|-------------|------------|
| 1700mm | 297mm |



AARDWOLF TRANSPORT FRAME TF2440

Sturdy structure, designed so as to eliminate any risk of slab tipping over. Slabs are placed on special rubber profiles and secured with 8 adjustable locking bars. Eight locking bars per frame mount in slotted holes on the bottom. Frame features 2 hooking points to be picked up by an overhead crane.

| SIZE (LXW) MM | LOAD CAPACITY | CODE |
|---------------|---------------|------------|
| 24400x1118 | 1500kg | HE.ATF2440 |

| LOAD HEIGHT | LOAD WIDTH |
|-------------|------------|
| 1419mm | 320mm |



HANDLING EQUIPMENT

AARDWOLF TRUCK TRANSPORT COLLAPSIBLE 'A' FRAME

Unique integrated vertical locking bars and ratchet locking straps designed to hold all material safely and securely. The load is secured independently on each side by two vertical locking bars, which are inserted into brackets at the base of the frame and held by ratchet locking straps at the top.

| SIZE (LXW) MM | LOAD CAPACITY | LOAD HEIGHT | CODE |
|---------------|---------------|-------------|----------|
| 1850x1800 | 7500kg | 2063mm | HE.ATTAF |



AARDWOLF STONE BUGGY SINGLE SIDED

The Economy Slab Buggy Single Side is a cost-saving version which is ideal for transporting sheet materials such as stone slabs and glasses within the factory and on building sites. Rubber is topped on the frame for maximum protection. It also features four heavy-duty wheels (two solid wheels and two lockable swivel wheels), allowing easy manoeuvring of fully loaded carts in the workshop and on the construction site.

| SIZE (LXHXW) MM | LOAD CAPACITY | CODE |
|-----------------|---------------|-------------|
| 1220x1140x660 | 400kg | HE.ASB1220S |



AARDWOLF M60 SELF-LOCKING TROLLEY

Large pneumatic wheels make moving loads over rough terrain easy. Grips material automatically and securely. Clamping supports and base are rubber padded.

| GRIPPING RANGE | LOAD CAPACITY | CODE |
|----------------|---------------|--------------|
| 0-60mm | 400kg | HE.ATRSLM060 |

| SUPPORT PLATE | 2 RUBBER WHEELS |
|---------------|-----------------|
| 500mm long | 275x60mm |



AARDWOLF M85 SELF-LOCKING TROLLEY

Automatic clamping feature allows the trolley to move and transport heavy slab materials in a flexible and easy manner. Pneumatic wheels with a high grip meet the demand for transport on every terrain from even to rough.

| GRIPPING RANGE | LOAD CAPACITY | CODE |
|----------------|---------------|--------------|
| 0-85mm | 400kg | HE.ATRSLM085 |

| SUPPORT PLATE | 2 PNEUMATIC WHEELS |
|---------------|--------------------|
| 500mm long | 400x85mm |



AARDWOLF M8100 SELF-LOCKING 3-WHEEL TROLLEY

Ideal for moving kitchen tops, stone, glass and other heavy work pieces onto work site. Large pneumatic wheels plus 140mm swivel caster at front that increases stability. Detachable handle.

| GRIPPING RANGE | LOAD CAPACITY | CODE |
|----------------|---------------|--------------|
| 0-100mm | 400kg | HE.ATRSLM100 |

| SUPPORT PLATE | 2 PNEUMATIC WHEELS |
|---------------|--------------------|
| 500mm long | 400x85mm |



AARDWOLF OVERHEAD SWING ARM

Overhead Swing Arm to secure air, water & power lines.

| CODE |
|-------------|
| HE.AOSA4400 |



AARDWOLF WASTE BIN

Manufactured from 3mm plate. The release mechanism is activated by the forklift operator pulling the draw rope from the drivers seat. The custom built shock absorber prevents impact forces being transmitted to the forklift during emptying. Powder coat paint finish.

| SIZE (LXWXH) MM | CAPACITY | CODE |
|-----------------|--------------------|-------------|
| 1500x1120x900 | 1.06m ³ | HE.AWB1000W |



AARDWOLF SMALL SLAB TROLLEY

Manufactured from 3mm plate. The release mechanism is activated by the forklift operator pulling the draw rope from the drivers seat. The custom built shock absorber prevents impact forces being transmitted to the forklift during emptying. Powder coat paint finish.

| SIZE (LXWXH) MM | LOAD CAPACITY | CODE |
|-----------------|---------------|----------|
| 400x85 | 300kg | HE.ATRSM |

| SUPPORT PLATE | 2 SOLID WHEELS |
|---------------|----------------|
| 400x100mm | 4200x50mm |



AARDWOLF ZINC PLATED STAND

For Manzelli Liftstyle Vacuum Lifters.

| CODE |
|----------|
| VAMSTAND |



AARDWOLF FLIP TROLLEY

For Manzelli Liftstyle Vacuum Lifters.

| CODE |
|----------|
| HE.AFT01 |



AARDWOLF FIBREGLASS ROLL STAND

Suits 10 and 15mm wide rolls.

| CODE |
|--------|
| HE.FGS |



HANDLING EQUIPMENT

AARDWOLF SWIVEL HOOK

Shackles and swivel hooks for use with Aardwolf lifting equipment.

| CAPACITY | CODE |
|----------|-----------|
| 1.5 ton | HE.ASH1.5 |
| 3 ton | HE.ASH3.0 |



DIAREX WEDGE SLAB HANDLING WEDGE

Safely separates slabs for positioning of lifting clamp.

| CODE |
|-----------|
| HE.WEDGEE |



DIAREX SINGLE-SIDED BUGGY

The Diarex Single Sided buggy allows the transportation of small pieces around the factory with easy thanks to it's light frame, front swivel wheels and handles.

| SIZE (LXWXH) | LOAD CAPACITY | CODE |
|---------------|---------------|-------------|
| 1220x660x1140 | 360kg | HE.DSB1220S |



DIAREX DEMOUNTABLE FRAME DOUBLE SIDED 1500

High quality, double sided Demountable Frame perfect for transporting workpieces. Features 200mm wheel and 1000kg capacity.

| SIZE (LXWXH) | LOAD CAPACITY | CODE |
|---------------|---------------|-----------------|
| 1500x971x1347 | 1000kg | HE.DDFD200-1500 |



DIAREX TRANSPORT FRAME TF2000

High quality, double sided Transport Frame perfect for transporting workpieces. Features 1419mm load height and 1000kg capacity.

| SIZE (LXWXH) | LOAD CAPACITY | CODE |
|----------------|---------------|--------------|
| 2000x1118x1684 | 1000kg | HE.DTF2000PC |

| LOAD HEIGHT | LOAD WIDTH |
|-------------|------------|
| 1419mm | 320mm |



DIAREX TRANSPORT FRAME 2440

High quality, double sided Transport Frame perfect for transporting workpieces. Features 1419mm load height and 1000kg capacity.

| SIZE (LXWXH) | LOAD CAPACITY | CODE |
|----------------|---------------|------------|
| 2440x1118x1684 | 1000kg | HE.DTF2440 |

| LOAD HEIGHT | LOAD WIDTH |
|-------------|------------|
| 1419mm | 320mm |



DIAREX®

DIAREX MOBILE FABRICATION TABLE

High quality mobile fabrication table that is perfect for workpieces. Features rubber strips, leveling legs, wheels, a 450kg capacity and a 800mm wide table for extra stability.

| SIZE (LXWXH) | LOAD CAPACITY | CODE |
|---------------|---------------|--------------|
| 2006x809x1066 | 450kg | HE.DFTMOB800 |



DIAREX MOBILE FABRICATION TABLE HEAVY DUTY

High quality mobile fabrication table that is perfect for workpieces. Features rubber strips, leveling legs, wheels and a high quality construction making it ideal for heavy duty use.

| SIZE (LXWXH) | LOAD CAPACITY | CODE |
|---------------|---------------|----------------|
| 2006x609x1066 | 450kg | HE.DFTMOBILEHD |



DIAREX FABRICATION STAND

High quality fabrication stand that is perfect for workpieces. Features an adjustable height and a 230kg capacity.

| ADJUSTABLE HEIGHT | LOAD CAPACITY | CODE |
|-------------------|---------------|------------|
| 914-1117mm | 230kg | HE.DFSTAND |





PPE

SECTION 6

| | |
|--|-----|
| POWERED AIR PURIFYING RESPIRATORS..... | 156 |
| REUSABLE RESPIRATORS | 162 |
| PERSONAL SAFETY EQUIPMENT | 164 |

Timeless natural beauty

For 40 years, CDK Stone has been sourcing the most beautiful Natural Stone on the planet. Through our extensive travels and unparalleled standards, CDK Stone has continued to discover unique Natural Stones that propel Australian design. Our superb range of Marble, Travertine, Quartzite, Limestone, Granite and other exotic stones showcase individuality and natural beauty.

Learn more about our premier range online or visit one of our stone selection centres across Australia.

Natural Stone: Cosmopolitan Quartzite, Calacatta Viola, Emerald Haze Quartzite, St Croix Marble.
Design: Taylor Pressly, Enoki Design, Mim Design Studio. Photography: Sharyn Cairns, Jenah Piwanski, Peter Clarke.



Discover more at
cdkstone.com.au

POWERED AIR PURIFYING RESPIRATORS

CLEANSACE ULTRA PAPR

CleanSpace ULTRA is the latest addition to CleanSpace Technology's advanced range of respiratory protection products: designed for industrial use where water tolerance is required (IP65 Rating).

CleanSpace ULTRA is a powered air purifying respirator (PAPR) that offers superior protection against dust and gas airborne hazards. With no hoses or heavy waist-mounted battery packs making it the most comfortable and easiest PAPR in the market.

- Lightweight, compact and comfortable (< 450g / 1lb)
- One power button for simple operation
- AirSensit™ Technology allows mask pressure control and breath responsive airflow, filter and battery life management
- Intelligent Management Filter Technology (IMFT): filter life optimisation and real-time insights
- Mask-release and adjust buttons suitable for gloved hands
- Long run time and short battery recharge time
- Long term storage technology maintains battery charge for 1 year
- IP 65 Rating: Resistant to dust and liquid ingress



- Suitable for decontamination showers and high water use environments
- Compatible with CleanSpace SMART App (available at Google Play and Apple App stores)

PIECES PER BOX 1

CODE
SE.CST1010



- Peak airflow: 230 L/min
- Enhanced acoustics & communication
- AirSensit® technology monitors pressure 100 Hz

- Power Unit 400g (lightest PAPR on market)
- Compact/few Parts: No adaptors, tubes or connectors
- Compatible with half and full face masks
- Particulate and gas filters available



- Buttons designed for gloved hands
- Modern, intuitive operating system
- Durable and robust
- Sustainable: reusable, low carbon and plastic footprint

- Run time: 12 - 14 hours
- Quick charge: under 2 hours
- Battery: lithium ion - safe and light
- Docking stations & car chargers available

CleanSpace®
RESPIRATORS

CLEANSACE FULL MASK

The CleanSpace Full Face Mask is positive pressure with a silicone outer visor seal and silicone Orinasal Inner Mask for superior respiratory protection. The Orinasal Inner Mask Small comes with every CleanSpace Full Face Mask. The CleanSpace Full Face Mask is compatible with the CleanSpace Ultra units, the full range of filters.

| SIZE | CODE |
|------------------|------------|
| Small | SE.CST1017 |
| Medium/ Large | SE.CST1018 |



CLEANSACE HALF MASK

The CleanSpace Half Masks are specifically designed to work to complete the CleanSpace PAPR system. Compatible with all CleanSpace Respirators, the Half Masks clip quickly onto the power units and are easily unclipped for cleaning. The Half Masks are made of soft silicone that readily moulds to the face & doesn't cause allergic dermatitis.

| SIZE | CODE |
|--------|------------|
| Small | SE.CST1034 |
| Medium | SE.CST1035 |
| Large | SE.CST1036 |



CLEANSACE PARTICULATE FILTER HEPA/TM3/P3

The CleanSpace Particulate Filter HEPA/TM3/P3 is suitable for protection against airborne particulates (dust, mists and fumes). Fits Ultra PAPR units.

CODE
SE.CST1004

PIECES PER BOX 3



CLEANSACE PARTICULATE STANDARD TM3 P3 FILTER

The CleanSpace Particulate Filter HEPA/TM3/P3 is suitable for protection against airborne particulates (dust, mists and fumes). Fits Ultra PAPR units.

CODE
SE.CST1005

PIECES PER BOX 3



CLEANSACE ABEK1 P3 P SL R COMBINED FILTER

The CleanSpace Combined Filter P3 ABEK1 P SL R is suitable for protection against airborne particulate (dust, mists and fumes), organic, inorganic gases or vapours, solvents, ammonia and sulphur dioxide (boiling point >65C).

CODE
SE.CST1007



POWERED AIR PURIFYING RESPIRATORS

3M VERSAFLO PAPR FACESHIELD KIT

Kit Contains:

- Kit includes: Versaflo TR-300 Powered Air Respirator Kit with length adjusting breathing tube, Standard Waist belt, pre-filter, P3 Filter, Battery Pack & Charger, Air Flow Calibration Tube
- Versaflo High Impact Faceshield M-106 delivers integrated eye, face and respiratory with optional hearing protection
- Excellent airflow distribution for improved comfort, lower noise and reduced fogging



| |
|-------------|
| CODE |
| SE.TRM-207C |

3M VERSAFLO BREATHING TUBE BT-20S

Small lightweight breathing tube that connects the air source with the headtop is required to ensure unrestricted airflow. The breathing tubes offered are compatible with Versaflo Headtops & Air Delivery Units.

| |
|-----------|
| CODE |
| SE.BT-20S |



3M VERSAFLO COATED VISOR

Coated visor providing chemical and scratch resistance. Easy to replace visor that suits M-200 Headtop.

| |
|----------|
| CODE |
| SE.M-927 |



3M PEEL-OFF VISOR COVER

Protect your 3M Versaflo Headtop visor from scratches or overspray from paints and chemicals with 3M Versaflo Peel-Off Visor Cover. The transparent visor cover is self-adhesive and can be applied and peeled off easily.

| | |
|----------------|----|
| PIECES PER BOX | 40 |
|----------------|----|

| |
|----------|
| CODE |
| SE.M-928 |



3M CHIN STRAP FOR VERSAFLO M-300 SERIES

Chin strap that helps hold the Headtop in place on the user. For use with M-Series Headtops.

| |
|---------|
| CODE |
| SE.M958 |



3M VERSAFLO PREFILTER

Prefilter for use with the 3M Versaflo. The prefilter can extend the service life of the main filter by capturing large particles that may otherwise clog.

| |
|------------|
| CODE |
| SE.TR-3600 |



3M VERSAFLO FILTER PARTICULATE P3

High efficiency P3 particulate filter. The filter can be changed quickly and easily by hand. For use 3M TR-300+ Powered Air Respirator.

| |
|-------------|
| CODE |
| SE.TR-3712E |



3M VERSAFLO FILTER PARTICULATE P3 NUISANCE LEVEL, ACID GAS

P3 particulate filter that provides protection against hydrogen fluoride (HF x 10 TLV) as well as offering nuisance-level acid gas performance. The filter can be changed quickly and easily by hand. For use 3M TR-300+ Powered Air Respirator.

| |
|-------------|
| CODE |
| SE.TR-3822E |



3M VERSAFLO BACKPACK HARNESS

Backpack harness enables the Versaflo Powered Air Purifying unit to be carried on the user's back rather than on a belt at the waist.

| |
|-------------|
| CODE |
| SE.TRBPK-01 |



3M EARMUFFS FOR M-SERIES HEADTOPS

Earmuffs for use with 3M M-Series Headtops. Features bright orange colour and an attenuation rating of 25dB.

| |
|------------|
| CODE |
| SE.H31P3AF |



POWERED AIR PURIFYING RESPIRATORS

STS SHIGEMATSU WORKS STS SYNC FULL FACE PAPR KIT

Full face PAPR that is switch-less, cordless and effortless! Designed for use around fine dust, the STS Sync Full Face PAPR offers breath responsive protection so the fan unit and filter are only working when you inhale. The system turns on automatically when you start breathing and turns off 5 seconds after doffing. The unit is cordless with no connectors or hoses. Features a 6 point head harness for a firm and stable fit. The unit also features a speech diaphragm for clear communication and an LED filter indicator. The unit is IP65 rated & can go through decontamination showers.



| SIZE | CODE |
|--------|-------------|
| Medium | SE.05STS003 |
| Large | SE.05STS004 |

STS SHIGEMATSU WORKS STS SYNC HALF FACE PAPR KIT

Half face PAPR that is switch-less, cordless and effortless! Designed for use around fine dust, the STS Sync Half Face PAPR offers breath responsive protection so the fan unit and filter are only working when you inhale. The system turns on automatically when you start breathing and turns off 5 seconds after doffing. The unit is cordless with no connectors or hoses. Features a 4 point head harness for a firm and stable fit. The unit also features a specially designed silicone facepiece providing comfort and an LED filter indicator. The unit is easy to wear/remove like negative pressure half mask, but offers the high protection as PAPR.



| SIZE | CODE |
|-------|-------------|
| Large | SE.05STS002 |

STS SHIGEMATSU WORKS STS VP3 PARTICULATE FILTER

P3 particulate filter for STS Sync Powered Air Purifying Respirator. Provides easy breathing and is ideal for filtering fine dust particles.

| CODE |
|-------------|
| SE.05STS031 |



Natural Stone Safety Data Sheets

CDK Stone is committed to ensuring our industry stays safe. As part of our ongoing efforts to educate and inform the industry, we are encouraging our customers to stay up to date with the latest SDS for each product they use. Recently, CDK Stone has been adding Natural Stone Safety Data Sheets to our list of SDS's to support safer practices and increase product material awareness. We now have Safety Data Sheets for all the Natural Stone slabs we offer. You can access our Natural Stone SDS's at any time at www.cdkstone.com.au/sds



Natural Stone: Super White Dolomite, Taj Mahal Quartzite. Design: Scopeview Projects, Brianna Sandstrom. Photography: Simon Whitbread.

Discover more at cdkstone.com.au

REUSABLE RESPIRATORS

SUNDSTROM P3 STARTER KIT

Sundstrom reusable P3 respirator kit with storage container.

PIECES PER BOX 1

| |
|-----------|
| CODE |
| SE.819403 |



SUNDSTROM SR221-1 RESPIRATORY PRE FILTER

Pre-filter for Sundstrom P3 respirator.

PIECES PER BOX 5

| |
|-----------|
| CODE |
| SE.441004 |



SUNDSTROM SR510 P3 PARTICLE FILTER

Pr particle filter for Sundstrom P3 respirator.

PIECES PER BOX 1

| |
|-----------|
| CODE |
| SE.441005 |



SUNDSTROM ABE1 SR315 GAS FILTER

Gas filter for Sundstrom P3 respirator.

PIECES PER BOX 1

| |
|-----------|
| CODE |
| SE.441006 |



SUNDSTROM SR217 A1 GAS FILTER

A1 gas filter for Sundstrom P3 respirator.

PIECES PER BOX 1

| |
|-----------|
| CODE |
| SE.441008 |



MAXI MASK 2000 HALF MASK

Blister Pack Twin Filter Half Mask 1 x HMTPM 1 x pair PCA1P2.

PIECES PER BOX 2

| | |
|------------------------|------------|
| | CODE |
| Blister pack twin pack | SE.HMA1P2 |
| Particulate Pack | SE.HMP2-HP |



PROCHOICE A1P2 CARTRIDGES TO SUIT HMTPM

For gas/vapour and combination of particulate/gas/vapour cartridge.

PIECES PER BOX 2

| |
|-----------|
| CODE |
| SE.PCA1P2 |



PROCHOICE ABEK1 CARTRIDGES FOR HMTPM

For organic vapour, acid gas sulphur and ammonia.

PIECES PER BOX 2

| |
|------------|
| CODE |
| SE.PCABEK1 |



PROCHOICE P2 PRE FILTERS

P2 prefilters to suite HMTPM.

PIECES PER BOX 20

| |
|-----------|
| CODE |
| SE.PCFFP2 |



3M ASBESTOS/DUST RESPIRATOR KIT 7535 P2/P3

Convenient respiratory kit designed for asbestos removal and environments containing dust. The kit contains a 3M Half Face Respirator 7500 Series, two pairs of 3M Particulate Filters 6035 P2/P3*, two pairs of 3M™ SecureFit™ 200 Series Safety Glasses, AS/NZS1337.1 Medium Impact, four 3M Respirator Cleaning Wipes 504, one 3M No-Touch Foam Earplugs P2000, Class 4 (SLC80: 25dB) and one handy storage container.

| |
|----------|
| CODE |
| SE.7535M |



3M P2/P3 PARTICULATE FILTER WHITE

P2/P3 particulate filter for use on 3M 6000/7000 series respirators.

PIECES PER BOX 2

| |
|---------|
| CODE |
| SE.6035 |



PERSONAL SAFETY EQUIPMENT

DURABLE FULL LENGTH PVC APRON

PVC Aprons are blood, oil and fat-resistant to protect your clothes from damage while you're working. It has a durable PVC construction to withstand every day use.

| COLOUR | CODE |
|--------|----------|
| Black | SE.AF1BK |
| White | SE.AF1W |
| Blue | SE.AF1B |



ARAX WET GRIP GLOVES

Delivering dexterity, durability and grip the Arax Wet Grip offers the highest level of Cut, Abrasion and Tear resistance.

| SIZE | CODE |
|------|----------|
| 10 | SE.AND10 |
| 9 | SE.AND9 |



ALPHA WATERPROOF APRON SLEEVELESS

Premium quality waterproof stonemasons apron in hi-vis yellow. Protects from water, dust & chemicals. Dual adjustable clips for a perfect fit. Sleeveless with wide straps for comfort.

| SIZE | CODE |
|-------------------|--------------|
| One size fits all | SE.APRON2000 |



ALPHA WATERPROOF APRON LONG SLEEVE

Premium quality waterproof stonemasons apron in hi-vis yellow. Protects from water, dust & chemicals. Dual adjustable clips for a perfect fit. Long-sleeved with rubber cuffs.

| SIZE | CODE |
|-------|--------------|
| Large | SE.APRON2LSR |
| Small | SE.APRON2LSS |



ADDER EARMUFF ALL DAY COMFORT

Hearing protection for noise levels to 116dB(A). Optional acc BG-NH visor Class 5, SLC80 32db.

| CODE |
|----------|
| SE.EMADD |



PROCHOICE COBRA EAR MUFF

Hearing protection for noise levels to 110dB(A). Class 5, SLC(80)28dB

| CODE |
|----------|
| SE.EMCOB |



PROCHOICE PYTHON EAR MUFF

Hearing protection for noise levels to 116dB(A). Class 5, SLC(80)31dB

| CODE |
|----------|
| SE.EMPYT |



PROBAND FIXED HEADBAND EARPLUG

Proband Fixed Headband Earplugs is the highest level of hearing protection for a headband earplug. Ideal when moving in and out of high noise areas, fits comfortably around the neck when not in use.

| CODE |
|----------|
| SE.HBEPA |



LATEX DISPOSABLE GLOVES

High quality powdered, latex rubber for excellent sensitivity and dexterity.

| | |
|----------------|-----|
| PIECES PER BOX | 100 |
|----------------|-----|

| SIZE | CODE |
|--------|--------------|
| Large | SE.LATEXMDLL |
| Medium | SE.LATEXMDLM |



POWDER FREE NITRILE GLOVE

High quality powder free, latex free nitrile gloves for heavy duty use.

| | |
|----------------|-----|
| PIECES PER BOX | 100 |
|----------------|-----|

| COLOUR | CODE |
|--------|-------------|
| Black | SE.MDNPFHDL |



POLYOLEFIN PROTECTIVE OVER SLEEVE

PVC protective sleeve. Sold in pairs.

| | |
|----------------|---|
| PIECES PER BOX | 2 |
|----------------|---|

| COLOUR | CODE |
|--------|--------------|
| Blue | SE.PVCSLEEVE |



3M 504 RESPIRATOR CLEANING WIPES

Moist towelettes clean dirt and perspiration off facepiece respirators. Individually packaged and sealed to ensure uncompromised sanitary quality. Disposable, one-time-use for convenience.

| | |
|----------------|-----|
| PIECES PER BOX | 100 |
|----------------|-----|

| CODE |
|----------|
| SE.3M504 |



PERSONAL SAFETY EQUIPMENT

SOLUS SAFETY GLASSES CLEAR

Scotchgard anti-fog clear safety glasses.

| COLOUR | CODE |
|-------------------|-----------------|
| Green/Black frame | SE.S1201SGAF-AS |



SOLUS SAFETY GLASSES CLEAR

Scotchgard anti-fog tinted safety glasses.

| COLOUR | CODE |
|-------------------|-----------------|
| Green/Black frame | SE.S1202SGAF-AS |



SECURE FIT 400 SAFETY GLASSES CLEAR

Clear safety glasses with anti-fog lens.

| COLOUR | CODE |
|--------|---------------|
| Clear | SE.SF401AF-AS |



TOOLS

SECTION 7

| | |
|--------------------------|-----|
| TILE TOOLS | 168 |
| POWER TOOLS | 170 |
| PNEUMATIC TOOLS | 172 |
| PORTABLE MACHINERY | 174 |

TILE TOOLS



TUSCAN LEVELLING SYSTEM

Straps are made from a propriety blend nylon which allows elasticity to provide a better finish 1mm thickness allows thinner grout line.

- Perforated to break in the right place every time.
- Flat base straps require less glue and provide greater adhesion.
- Caps designed for durability and longer life (can be used dozens of times).
- Special locking system with hand-sharpened stainless steel tongue prevents any slippage.
- The system is easy to learn and use, at any skill level.
- Makes installation twice as fast, and more profitable.
- Reduces installer fatigue and stress.
- Drastically reduces the need for grinding.
- For use with tiles 300mm or larger.



Position strap and cap Lay the tile Attach setting tool



Tension until level Wait for glue to dry Remove strap and cap

| PRODUCT | PIECES PER BOX | CODE |
|------------------------|----------------|----------|
| Cap | 250 | TLSC0250 |
| Strap | 200 | TLSS0200 |
| Strap | 1000 | TLSS1000 |
| Ungauged Strap | 1000 | TLSU1000 |
| Ergonomic setting tool | 1 | TLSSTEP |



TUSCAN SEAM CLIP

The Tuscan SeamClip™ is the world's first one-piece joint levelling system.

Tuscan SeamClip will greatly assist in the installation of Porcelain, Stone, Ceramic, Marble, Granite and large format tiles from 3mm to 13mm in thickness.

Tuscan SeamClip™ | WHITE For use on calibrated large format thin ceramic tiles. 3mm - 6.5mm thickness. Produces a 0.5mm grout.

Tuscan SeamClip™ | BLUE For use on calibrated large format thin ceramic tiles. 6.5mm - 9.5mm thickness. Produces a 0.5mm grout.

Tuscan SeamClip™ | RED For use on calibrated floor and wall tiles. 9.5mm - 13mm thickness. Produces a 0.5mm grout.

Tuscan SeamClip™ | ORANGE For use on calibrated floor and wall tiles. 9.5mm - 13mm thickness. Produces a 1.59mm grout.



| COLOUR | PIECES PER BOX | CODE |
|--------|----------------|----------|
| Blue | 150 | TSCB0150 |
| Blue | 500 | TSCB0500 |
| Orange | 150 | TSCO0150 |
| Orange | 500 | TSCO0500 |
| Red | 150 | TSCR0150 |
| Red | 500 | TSCR0500 |
| White | 150 | TSCW0150 |

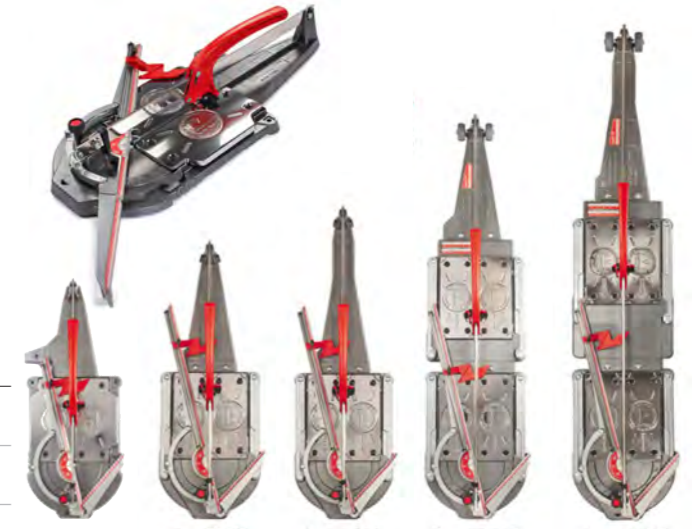


MONTOLIT

MONTOLIT MASTERPIUMA P5 TILE CUTTER

This range of super-professional manual tile cutter can cut all types of tile, with thickness of 0-22 mm, quickly and accurately. Thanks to the oversized goniometric square that can rotate both to the right & left 45 degrees, even diagonal cutting is safe and simple.

| SIZE | CODE | CONSUMABLES | CODE |
|-------|-------|----------------------------|---------|
| 63cm | 63P5 | Replacement Wheel | MON245 |
| 75cm | 75P5 | | |
| 93cm | 93P5 | Replacement Titanium Wheel | MON245T |
| 131cm | 131P5 | | |
| 161cm | 161P5 | Oil Dispenser 5 Pack | 515-5 |



MONTOLIT CRAB NIBBLER 33W

| CODE |
|------|
| 33W |

For making classic and artistic mosaics, small finishing touches, angles, special shapes and breaking tiles into small pieces.



MONTOLIT FLASH LINE 3 CUTTING SYSTEM

| CODE |
|------|
| FL3 |

"No Limits" extendable system with rails. Features a patented non-slip system without suction cups. Also features a quick elastic connection and a 3WD rotation - Titanium wheels selection system.



MONTOLIT MOTO FLASH LINE 2 CUTTING SYSTEM

| CODE |
|---------|
| MFL2-PU |

Motorized cutting system that works with the Flash Line cutting system. Features on tool dust extraction.



MONTOLIT SUPERLIFT

| CODE |
|--------------|
| 300-70SL-MOB |

A multipurpose frame for handling large format slabs and tiles. The Superlift is made from high quality materials and features four vacuum pods that can be reconfigured to suit the material size.



MONTOLIT WORK TABLE

| CODE |
|--------|
| 300-20 |

A multipurpose, modular work table for large format tiles and slabs. The table is fully adjustable table that can be disassembled for easy transport. 1150mm x 1800mm with a max load of 180kg.



POWER TOOLS

FLEX

FLEX BHW 1549 VR

Blind hole drill with integrated water feed with GFCI circuit breaker.

| MAX. DRILL DIAMETER | SPEED WITHOUT LOAD | POWER INPUT | POWER OUTPUT | TOOL FIXTURE | WEIGHT | CODE |
|---------------------|--------------------|-------------|--------------|--------------|--------|-----------|
| 16mm | 3500-10000rpm | 1200 watt | 700 watt | M14 | 3.3kg | BHW1549VR |



FLEX CS60 WET CIRCULAR SAW

Diamond masonry wet saw with GFCI.

| DIAMOND BLADE | BLADE BORE | MAX. CUTTING DEPTH | SPEED WITHOUT LOAD | POWER INPUT | POWER OUTPUT | CODE |
|---------------|------------|--------------------|--------------------|-------------|--------------|------|
| 170mm | 170mm | 0-54, 0-44mm | 6200 rpm | 1400 watt | 840 watt | CS60 |



| ACCESSORIES | CODE |
|-------------------|----------|
| Coupling Sleeve | V487.171 |
| 800mm Guide Rail | V353.280 |
| 1600mm Guide Rail | V359.351 |

FLEX L 12-3 100 WET POLISHER

Lightweight & powerful wet polisher with GFCI.

| MAX. DISC | SPEED WITHOUT LOAD | POWER INPUT | POWER OUTPUT | TOOL FIXTURE | WEIGHT | CODE |
|-----------|--------------------|-------------|--------------|--------------|--------|--------------|
| 115mm | 3700 rpm | 1150 watt | 700 watt | M14 | 2.4kg | LE12-3100WET |



FLEX LW 1202 SN WET POLISHER

1600 watt wet stone polisher with central water supply and GFCI circuit breaker.

| MAX. DISC | SPEED WITHOUT LOAD | POWER INPUT | POWER OUTPUT | TOOL FIXTURE | WEIGHT | CODE |
|-----------|--------------------|-------------|--------------|--------------|--------|----------|
| 130mm | 1750rpm | 1600 watt | 1030 watt | M14 | 4.8kg | LW1202SN |



FLEX CE 44 H AC VACUUM CLEANER

42ltr, class H safety vacuum cleaner with automatic filter cleaning system.

| VACUUM CLEANER FLOW RATE | FILTER SURFACE AREA | TANK CAPACITY | LIQUID CAPACITY | POWER INPUT | WEIGHT | CODE |
|--------------------------|----------------------|---------------|-----------------|-------------|--------|----------|
| 4500 l/m | 5000 cm ² | 42L | 26L | 1200 watt | 17.6kg | VCE44HAC |



GALESKI

GALESKI ECOMAX VARIO

Light and compact wet grinder. One handed cut-off saw especially for thin ceramic or natural stone slabs. The 125mm version now features a brushless motor for increased productivity.

| MAX CUTTING DEPTH | MAX DISC DIAMETER | SPINDLE SPEED | SPINDLE THREAD | CODE |
|-------------------|-------------------|---------------|----------------|------------------|
| 25mm | 125mm | 1900-9500rpm | 22.2, M14 | ECOMAX125VARIOBL |
| 58mm | 180mm | 1700-6800rpm | 22.2, M14 | ECOMAX180VARIO |
| 63mm | 230mm | 6600rpm | 22.2, M14 | ECOMAX230VARIO |



PNEUMATIC TOOLS

ALPHA AIR-834 WET POLISHER

Silicon gear head cover provides cushion and keeps hands warm. Newly developed motor produces more power. 4000rpm gear set for quality results.

| MAX DISC DIAMETER | SPINDLE SPEED | SPINDLE THREAD | AIR PRESSURE | CODE |
|-------------------|---------------|----------------|--------------|---------|
| 130mm | 4000rpm | M14 | 85psi | AIR-834 |

*Refurbished options available



ALPHA AIR-854 WET POLISHER

Silicon gear head cover provides cushion and keeps hands warm. Newly developed motor produces more power. 5500rpm gear set for best productivity. New splash guard.

| MAX DISC DIAMETER | SPINDLE SPEED | SPINDLE THREAD | AIR PRESSURE | CODE |
|-------------------|---------------|----------------|--------------|---------|
| 130mm | 5500rpm | M14 | 85psi | AIR-854 |

*Refurbished options available



SHINANO 2322 WR-E WET SANDER POLISHER

Wet polisher for use with 75mm and 100mm polishing pads only.

| MAX DISC DIAMETER | SPINDLE SPEED | SPINDLE THREAD | AIR PRESSURE | CODE |
|-------------------|---------------|----------------|--------------|-------------|
| 100mm | 5000rpm | M14 | 90psi | SI.2322WR-E |



DIAREX PST WET POLISHER

Wet polisher for use with 100mm polishing pads and 100mm stones.

| MAX DISC DIAMETER | SPINDLE SPEED | SPINDLE THREAD | AIR PRESSURE | CODE |
|-------------------|---------------|----------------|--------------|--------|
| 100mm | 5000rpm | M14 | 90psi | DRXPST |



WET AIR POLISHER GPW-218

Low vibrate and noise with excellent performance.

| MAX DISC DIAMETER | SPINDLE SPEED | SPINDLE THREAD | AIR PRESSURE | CODE |
|-------------------|---------------|----------------|--------------|--------|
| 100mm | 4500rpm | M14 | 90psi | GPW218 |



SANWA KENMA PA-5 WET POLISHER SANDER

Wet polisher for use with 75mm & 100mm polishing pads only.

| MAX DISC DIAMETER | SPINDLE SPEED | SPINDLE THREAD | AIR PRESSURE | CODE |
|-------------------|---------------|----------------|--------------|--------|
| 100mm | 5000rpm | M14 | 90psi | SKPA-5 |



ALPHA PSC-600 WET CUTTER

Composite end case to prevent freezing. Newly developed motor produces more power. Lightweight for better maneuverability.

| MAX DISC DIAMETER | SPINDLE SPEED | SPINDLE THREAD | AIR PRESSURE | CODE |
|-------------------|---------------|----------------|--------------|---------|
| 150mm | 8500rpm | 22.2 | 85psi | PSC-600 |



ALLIANCE AL-1355W SUPER TORQUE GRINDER

Adjustable Swivel Guard. With spindle lock and rear exhaust. Includes 250ml Air tool oil.

| MAX DISC DIAMETER | SPINDLE SPEED | SPINDLE THREAD | AIR PRESSURE | CODE |
|-------------------|---------------|----------------|--------------|----------|
| 125mm | 7600rpm | M14 | 85psi | AL-1355W |



SHINANO 2515 L14W WET ANGLE GRINDER 125MM

Heavy duty 5" wet angle grinder for grinding and polishing stone and masonry using rubber back-up pad and special abrasives. Features spindle lock button and safety lever throttle.

| MAX DISC DIAMETER | SPINDLE SPEED | SPINDLE THREAD | AIR PRESSURE | CODE |
|-------------------|---------------|----------------|--------------|-------------|
| 125mm | 2000rpm | M14 | 90psi | SI.2515L14W |



NPK NAG-70A AIR ANGLE GRINDER

180mm Air angle grinder with roll throttle and built-in air regulator.

| SPINDLE SPEED | SPINDLE THREAD | AIR PRESSURE | CODE |
|---------------|----------------|--------------|---------|
| 7600rpm | M14 | 85psi | NAG-70A |



PORTABLE MACHINERY

MANTA

MANTA ALUMINIUM PORTABLE SAW

Robust & accurate portable saw featuring linear bearings on chrome plated bars, 45° bridge tilt, intergrated water tank with recirculation pump & folding legs.

| MAX DISC DIAMETER | MAX CUTTING THICKNESS | SPINDLE SPEED | MOTOR | CUTTING LENGTH | CODE |
|-------------------|-----------------------|---------------|-------------|----------------|-----------|
| 350mm | 110mm | 2800rpm | 2.2kw, 230V | 1000mm | MANTA100A |
| 350mm | 110mm | 2800rpm | 2.2kw, 230V | 1200mm | MANTA120A |



MANTA ACCESSORIES

| ACCESSORIES | CODE |
|-----------------------------|-----------|
| Side extension plate | MANTAEXT |
| Side extension with rollers | MANTAROLL |



SIDE EXTENSION PLATE
Flat steel top with single leg.



SIDE EXTENSION WITH ROLLERS
Portable Saws with single leg.



STEEL & TUNGSTEN CARBIDE TOOLS FOR SHAPING & LETTERING NATURAL STONE



The REXID range of steel and tungsten carbide tools are specifically designed for shaping and lettering of both hard and soft natural stones. The REXID range includes precision chisels, pitchers, lettering tools, punches and hammers that are suitable for lettering, edging, shaping and finishing natural stones.

The comprehensive range of specialised tools includes hand tools, pneumatic tools, steel

tools and drills that cover a range of material types. Each tool is available in a large range of options to best suit the project, as well as, the material you are processing.

Hand-made in Germany, the REXID range combines the highest quality materials with precision engineering to produce an exceptional range of specialised tools.

**CONTACT YOUR CDK STONE SALES REPRESENTATIVE TODAY
FOR MORE INFORMATION ON THE REXID RANGE!**

cdk

CDK STONE



936044800095

W www.cdkstone.com.au E info@cdkstone.com.au f @ cdkstone

ABN 52104900647

Melbourne
1 Friegher Road
Moorabbin VIC 3189
03 8552 6000

Sydney
20 Yulong Close
Moorebank NSW 2170
02 9822 5155

Gold Coast
26 Wrights Place
Arundel QLD 4214
07 5537 3222

Adelaide
22 Richard Street
Hindmarsh SA 5007
08 8340 2877

Perth
231 Camboon Road
Malaga WA 6090
08 6240 2200